

SKODA

FOLDABLE TOW BAR

**TAŽNÉ ZAŘÍZENÍ - SKLOPNÉ
ANHÄNGERKUPPLUNG - KLAPPBAR**

Fitting instructions | Montážní návod | Montageanleitung

Order number | Objednací číslo | Bestellnummer

3P0 092 160, 3P0 092 160A

Superb (NZ)

Notes to the text / Poznámky k textu/ Anmerkungen zum Text



Caution.

Texts with this symbol warn against the risk of injury of the person performing the assembly, or to potential risk of damage to the vehicle if the operation is performed improperly.

Pozor.

Texty s tímto symbolem upozorňují na možnost poranění osoby provádějící montáž popř. možnost poškození vozu při neopatrném provedení operace.

Achtung.

Texte mit diesem Symbol weisen auf Verletzungsgefahren bei Personen oder auf eventuelle Beschädigungen des Wagens bei unachtsamer Durchführung der Operation hin.



Attention.

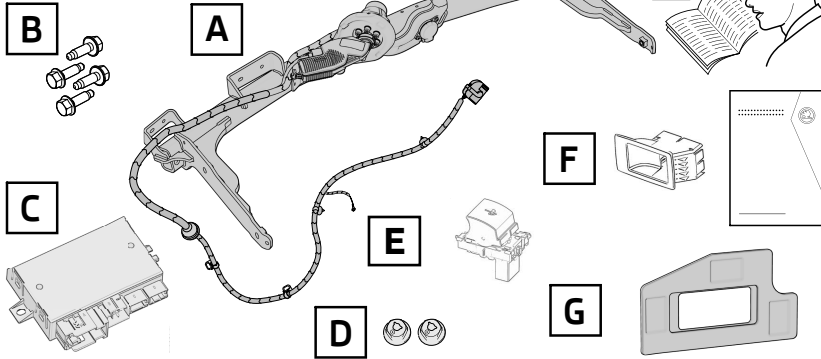
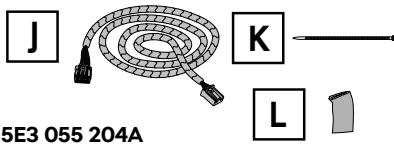
Texts with this symbol contain instructions emphasizing accuracy of performance of particular operation.

Upozornění.

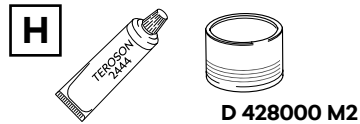
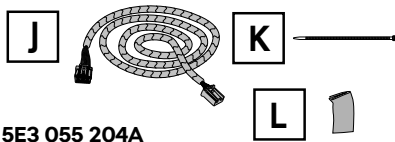
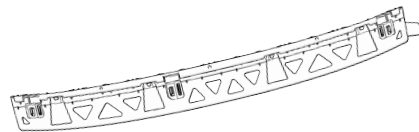
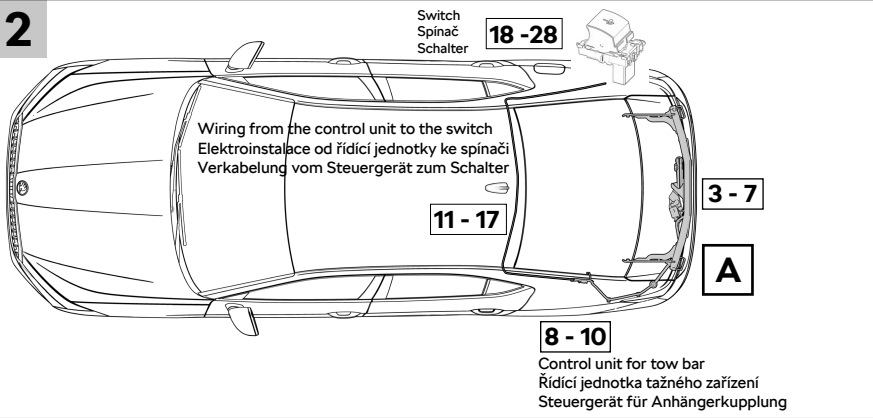
Texty s tímto symbolem obsahují pokyny s důrazem na přesnost provedení dané operace.

Hinweis.

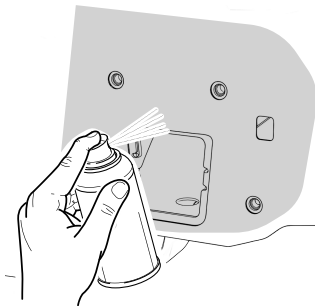
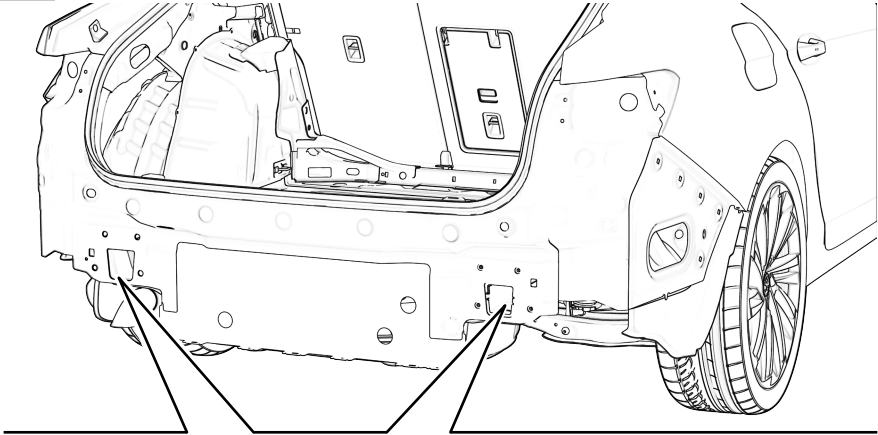
Texte mit diesem Symbol enthalten Hinweise auf die Ausführungsgenauigkeit der jeweiligen Operation.

1**3PO 092 160, 3PO 092 160A****Superb Limo (NZ3)****5E3 055 204A**

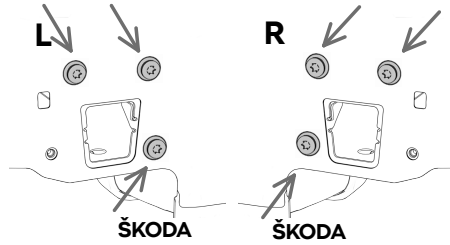
or/hebo/oder

**D 428000 M2****Superb Combi (NZ5)****5E3 055 204A****3J0 807 863A****2**Switch
Spínač
Schalter**18 -28**Wiring from the control unit to the switch
Elektroinstalace od řídicí jednotky ke spínači
Verkabelung vom Steuergerät zum Schalter**11 - 17****3 - 7****A****8 - 10**Control unit for tow bar
Řídicí jednotka tažného zařízení
Steuergerät für Anhängerkupplung

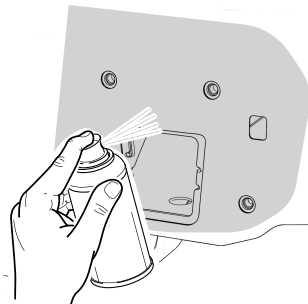
3



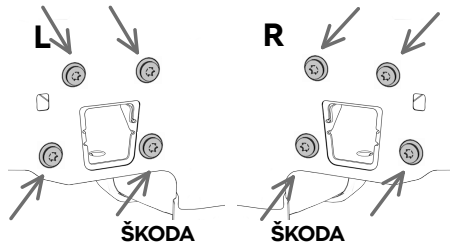
! Mu 20 Nm

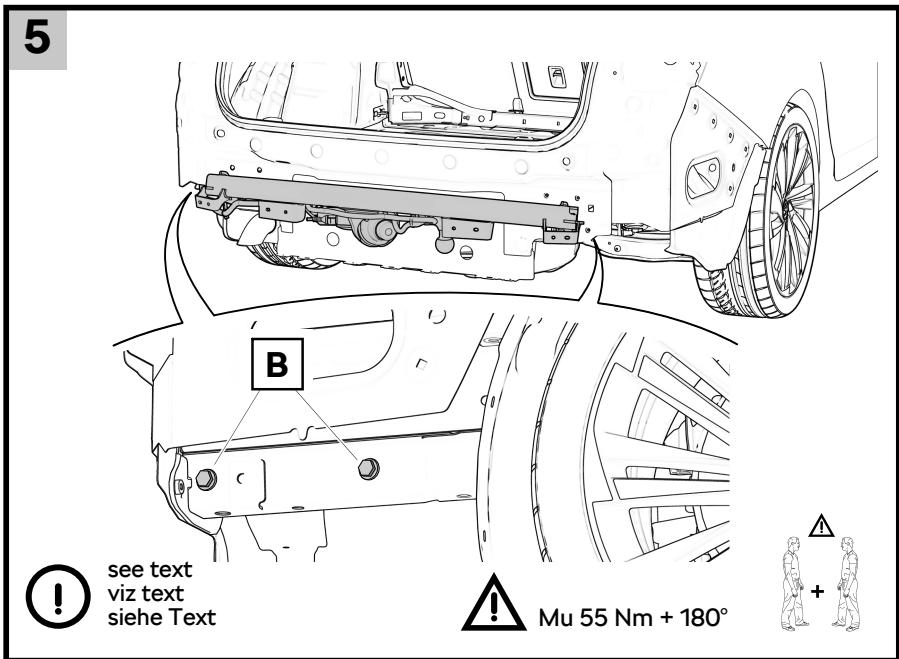
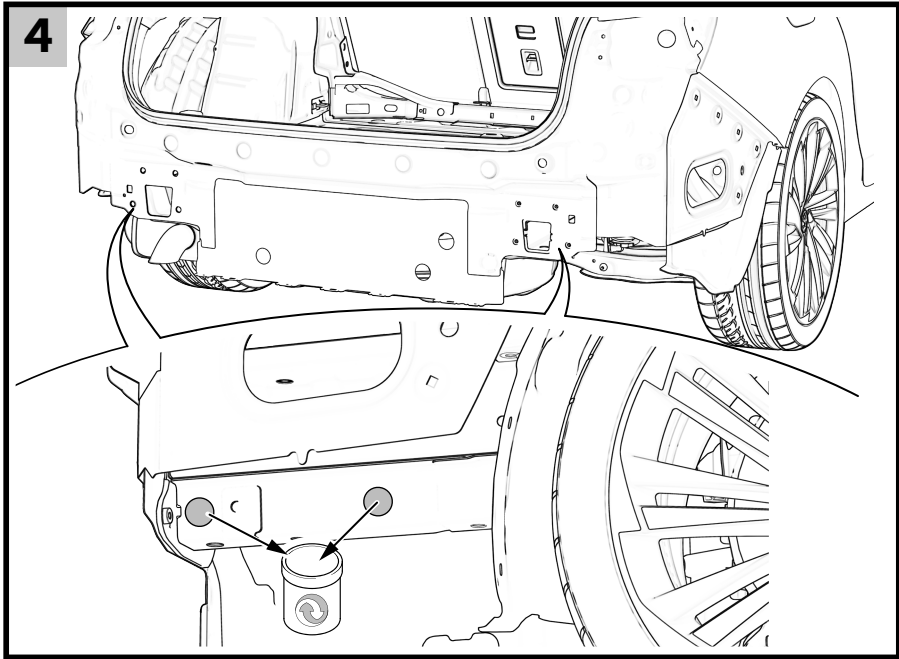


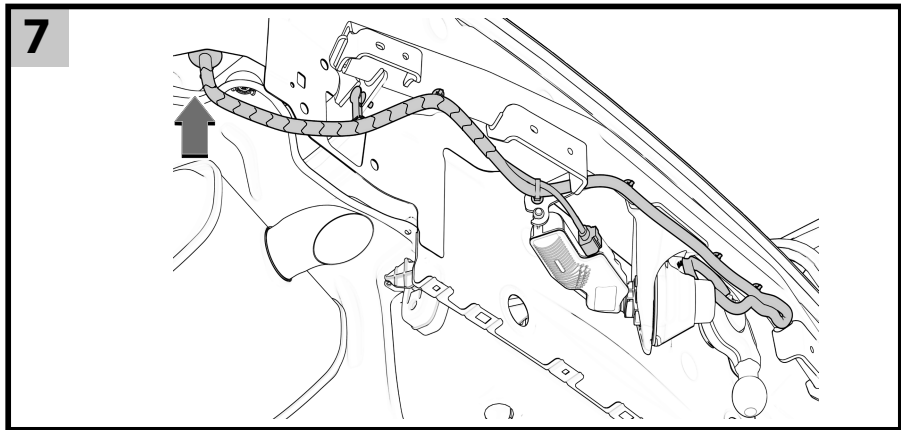
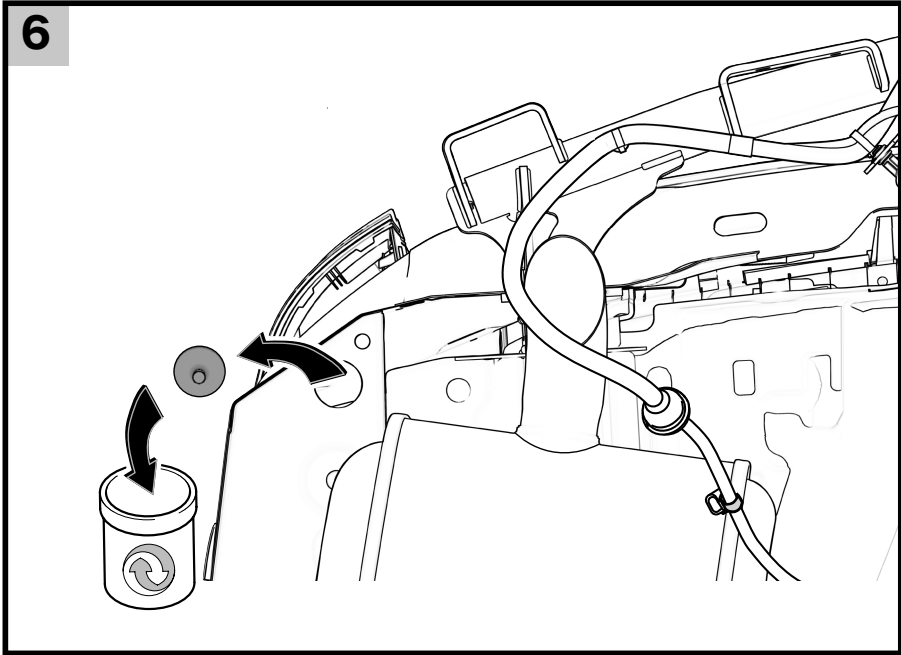
Only PHEV / pouze PHEV / nur PHEV



! Mu 20 Nm

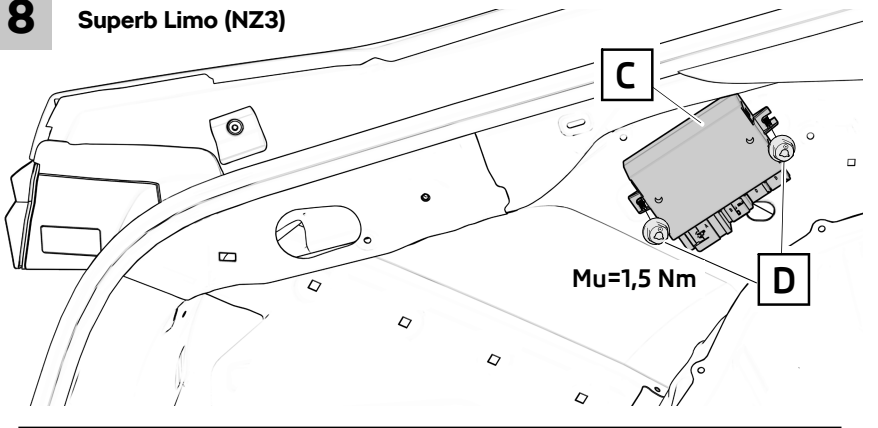




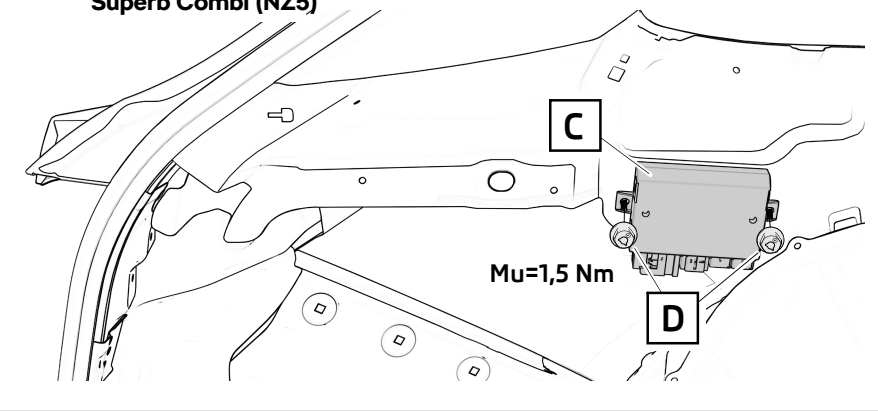


8

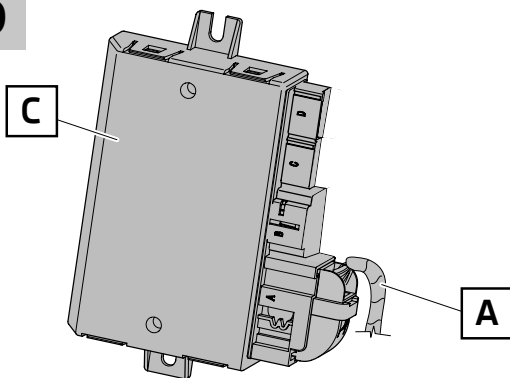
Superb Limo (NZ3)



Superb Combi (NZ5)

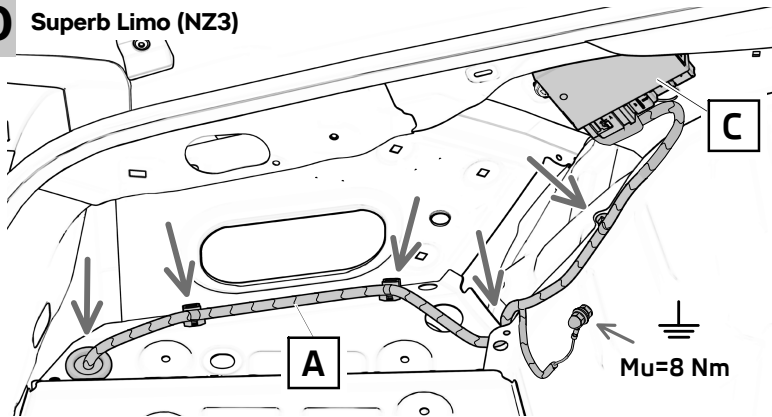


9

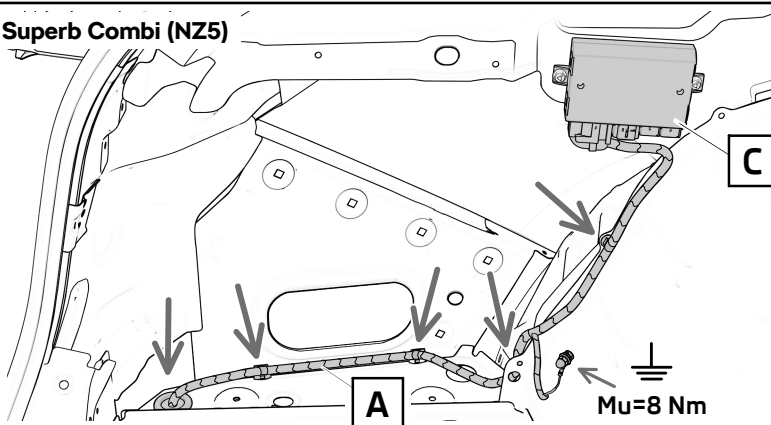


see text
viz text
siehe Text

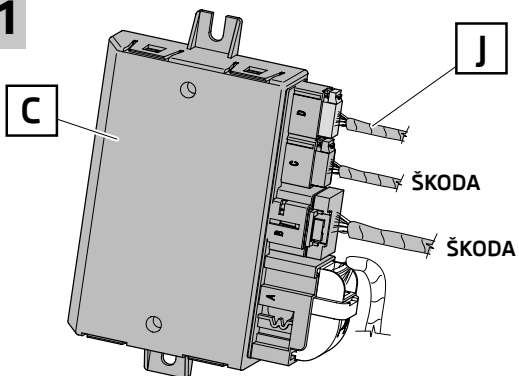
10 Superb Limo (NZ3)



Superb Combi (NZ5)

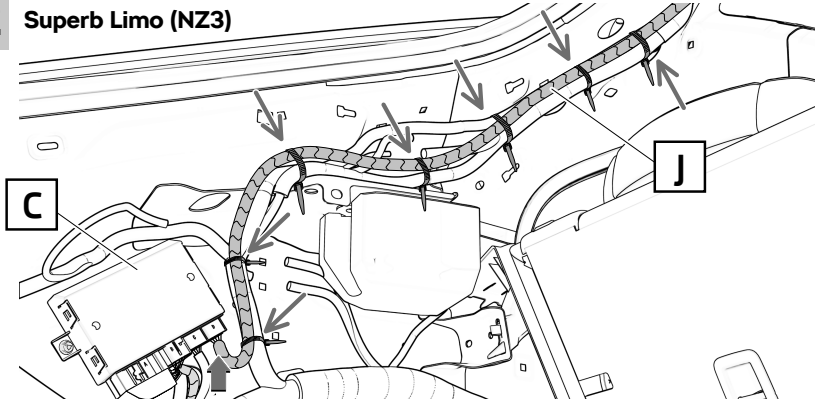


11

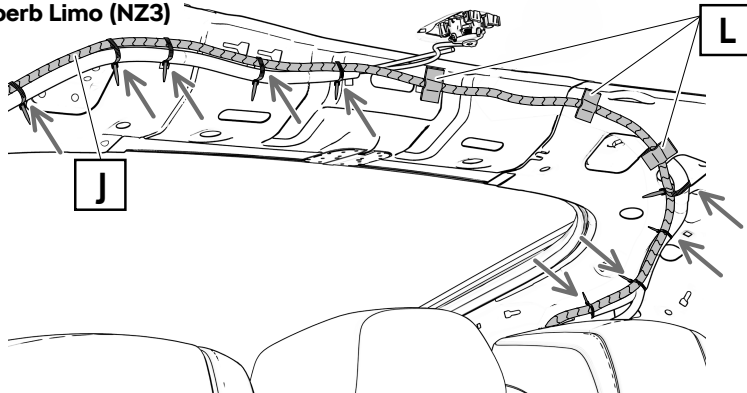


see text
viz text
siehe Text

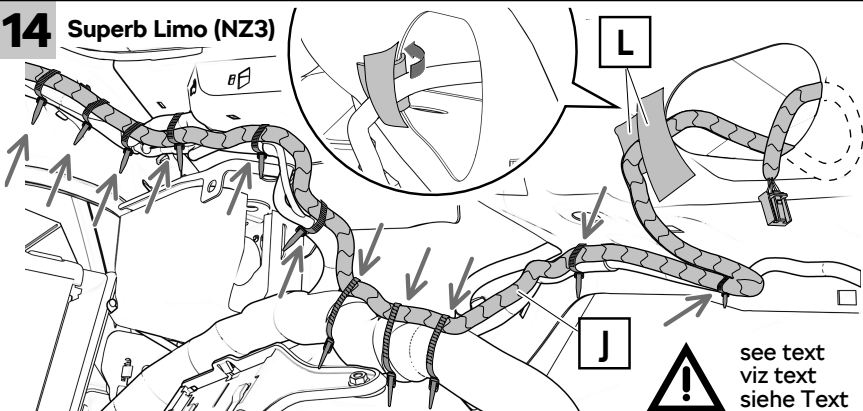
12 Superb Limo (NZ3)

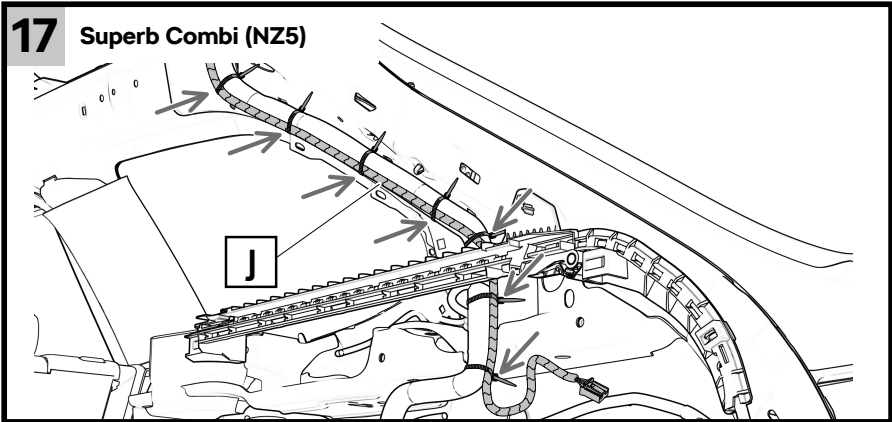
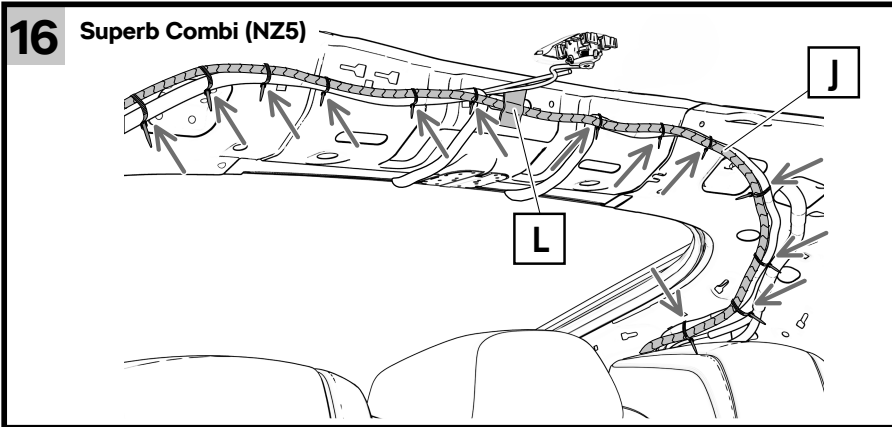
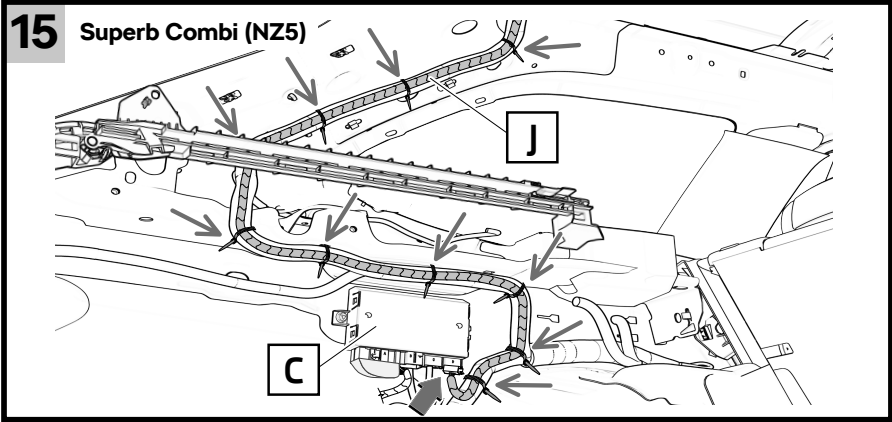


13 Superb Limo (NZ3)

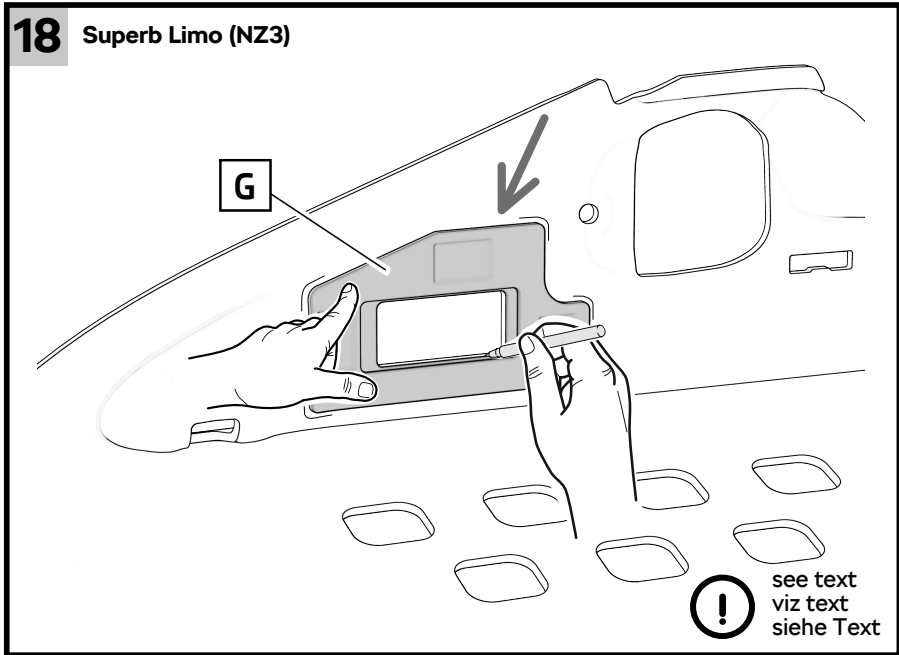


14 Superb Limo (NZ3)



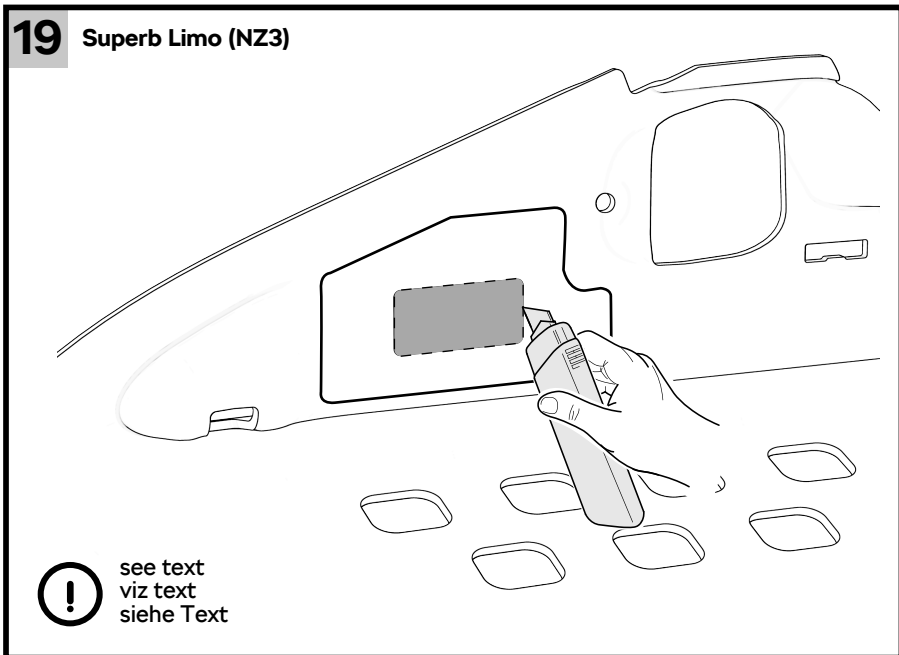


18 Superb Limo (NZ3)



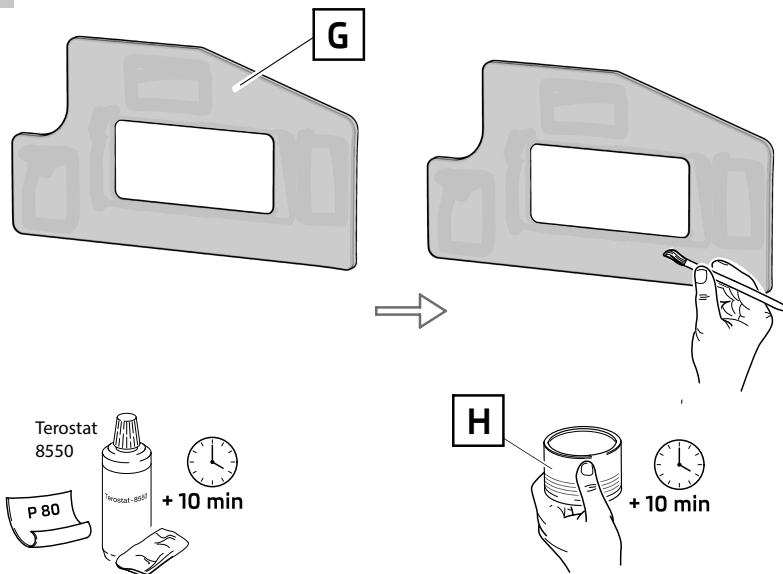
see text
viz text
siehe Text

19 Superb Limo (NZ3)

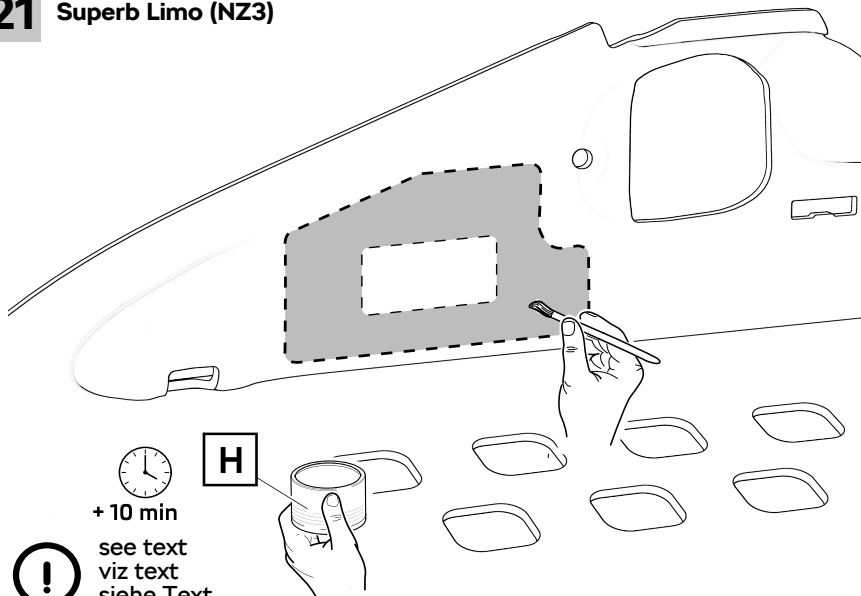


see text
viz text
siehe Text

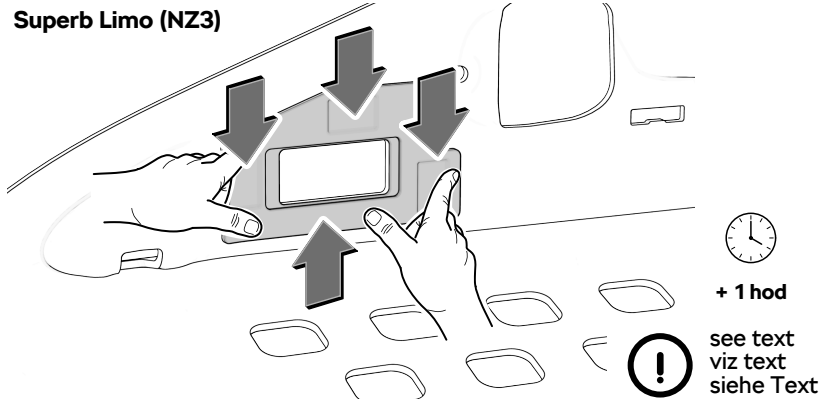
20 Superb Limo (NZ3)



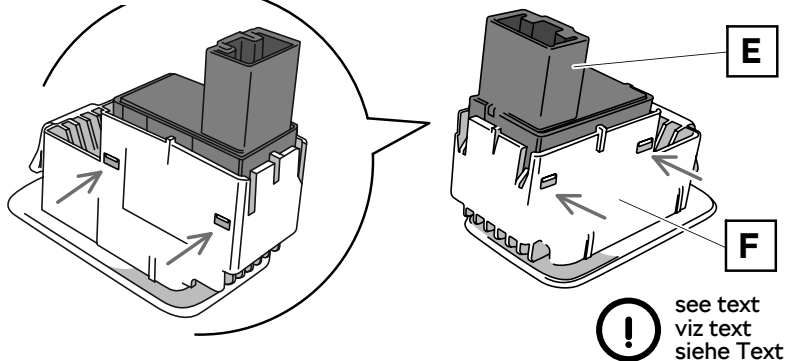
21 Superb Limo (NZ3)



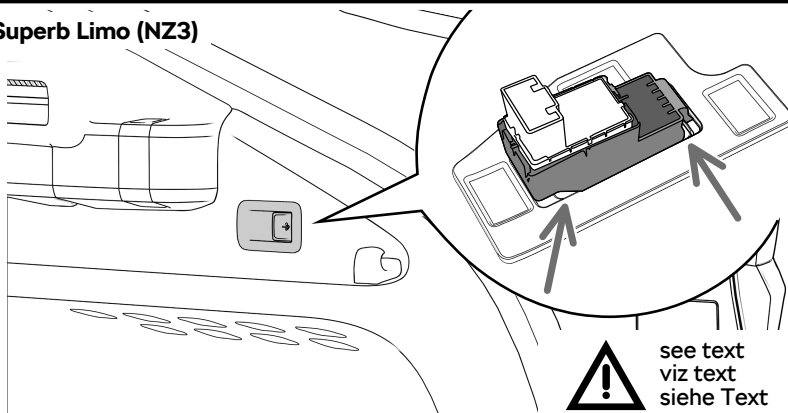
22 Superb Limo (NZ3)



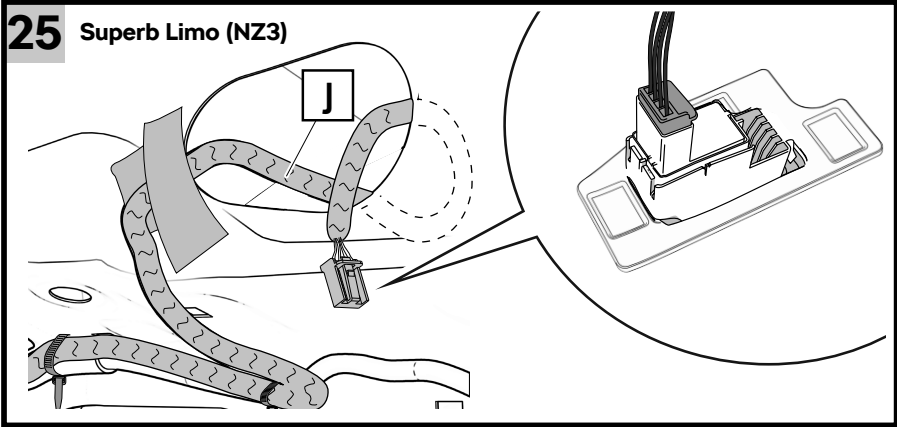
23 Superb Limo (NZ3)



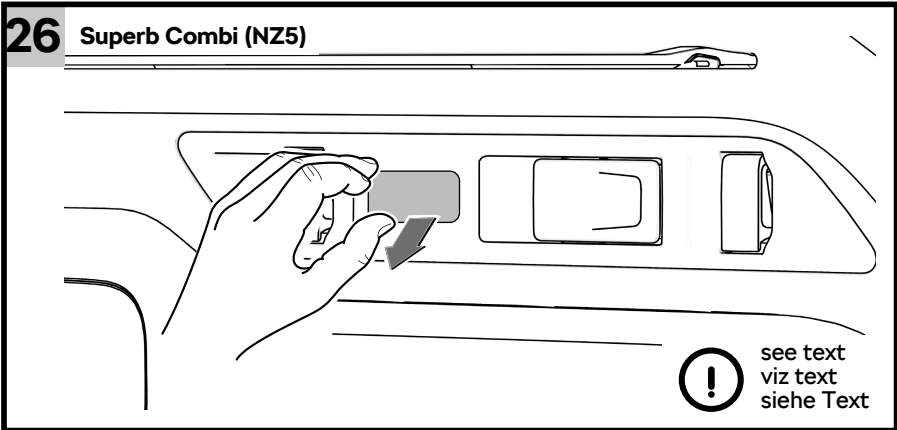
24 Superb Limo (NZ3)



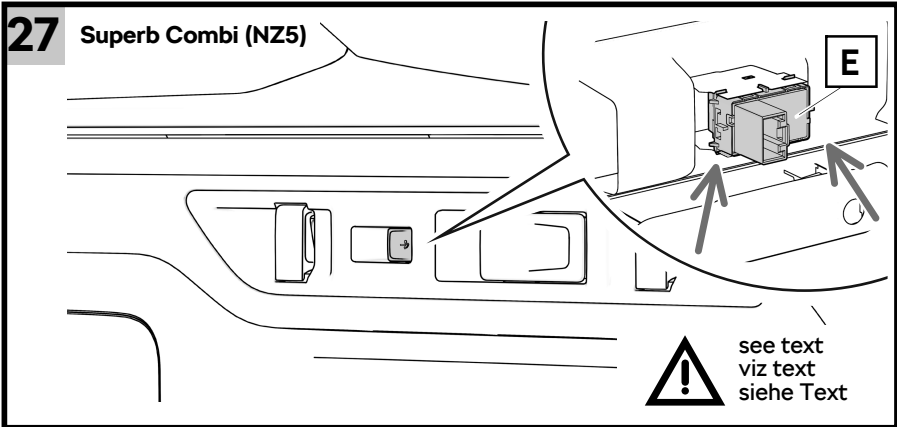
25 Superb Limo (NZ3)



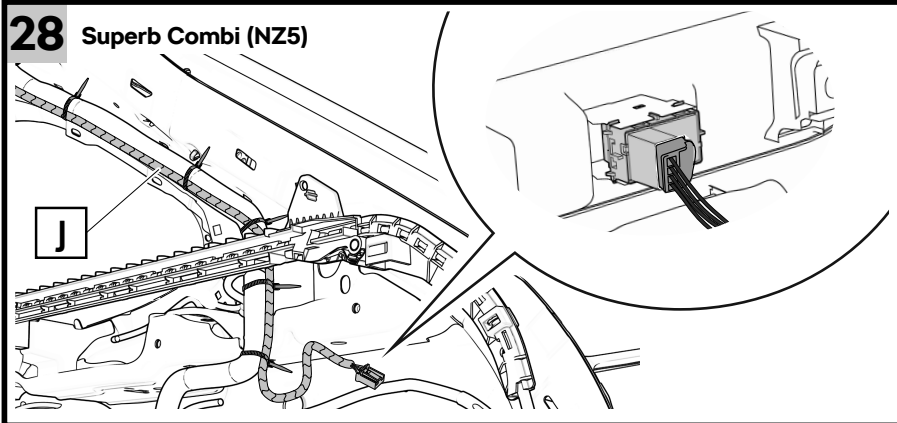
26 Superb Combi (NZ5)



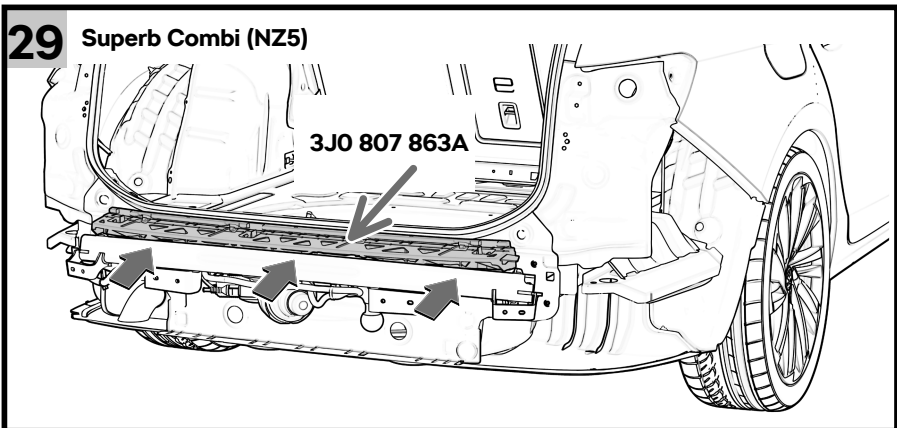
27 Superb Combi (NZ5)



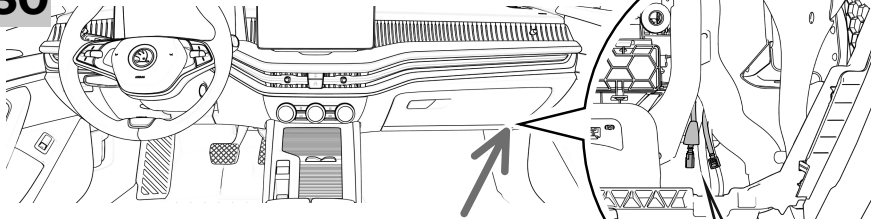
28 Superb Combi (NZ5)



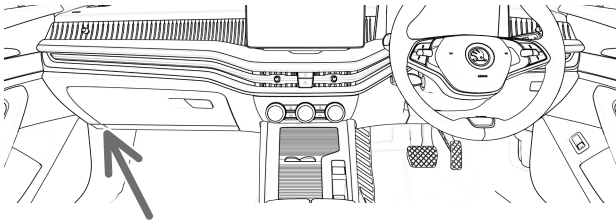
29 Superb Combi (NZ5)



30



Left-hand side steering
Levostranné řízení
Linkslenkung



Right-hand side steering
Pravostranné řízení
Rechtslenkung

 see text
 viz text
 siehe Text

31
 (EN)

a

Control units	Orders	DISS	TPI	Test plan	Sequence	Special functions
Tests for the complete vehicle						
Status	Checks					
—	C002 - Emergency Update					
—	C002 - Removing backflash protection					
—	Software version management					
—	Function clearing system (FES)					
—	Function enable system (FES) status					
—	Adapting software					
—	Adapt software (offline)					
—	Ctrl. module software configuration					
HV system, cross-section functions (2)						
—	HV measurement module VAS6558/VAS6558A					

b

Control units	Orders	DISS	TPI	Test plan	Sequence	Special functions
ElectronicsRepairService (ERS) -> SoftwareVersionsManagement (SVM)						- 1 -
Diagnostic address/measures code entry						- 2 -
This program assists you with the software adaptation (SVM) of control modules.						- 3 -
Please select one of the following:						- 4 -
1. SVM via diagnostic address						- 5 -
2. SVM via action code						
3. SVM as a conversion/retrofit solution						
4. SVM as a conversion/retrofit solution with license protection						
5. SVM as a conversion/retrofit solution with license protection via QR code						
6. Cancel						

NOTE
To enable SWaP or FOD functions, select the function enable system (FES) menu.

31
(CZ)

a

Řídicí jednotky	Zakázky	DISS	TPI	Zkušební plán	Proces	Zvláštní funkce
Zkoušky pro celé vozidlo						
Zvláštní opatření						
0015 - Dokumentace stavu konstrukce, číslo dílu při výměně modulu airbagu/vyjížeče plynu						
0019 - diagnostické rozhraní datové sběrnice, funkce						
Aktivace přepravního režimu						
Vypnout přepravní režim						
Management verze softwaru						
Přizpůsobení softwaru (offline)						
Přizpůsobení softwaru						
Konfigurace softwaru řídicí jednotky						
Systém odblokování funkce (FFS)						
Předávací prohlídka						

b

Řídicí jednotky	Zakázky	DISS	TPI	Zkušební plán	Proces	Zvláštní funkce
Service42						
Volba akce						
Pomocí Software Version Managementu (SVM) můžete aktualizovat software řídicích jednotek a provádět řešení přestavby a dodatečné výbavy.						
K tomu zvolte:						
1. Aktualizace softwaru pomocí diagnostické adresy						
2. Aktualizace softwaru pomocí kódu opatření						
3. Řešení přestavby/dodatečného vybavení						
4. Provést řešení přestavby/dodatečného vybavení s licenční ochranou						
5. Přeřazení						

Upozornění
Pro odblokování funkce SWaP nebo FOD je třeba zvolit menu Systém uvolnění funkce (FFS).

31
(DE)

Steuergeräte | Aufträge | DISS | TPI | Prüfplan | Ablauf | **Sonderfunktionen**

Prüfungen zum Gesamtfahrzeug

Status | Prüfungen

- C002 - Emergency Update
- C002 - Rückflash-Schutz aufheben
- **Softwareversionsmanagement**
- Funktions-Freischaltungs-System (FFS)
- Funktions-Freischaltungs-System (FFS) Status
- **Software anpassen**
- Software anpassen (offline)
- Steuergerät Softwarekonfiguration

Hochvolt-System, Querschnittsfunktionen (2)

- Hochvolt Messmodul VAS6558/VAS6558A

0025 - Komponentenschutz Funktionen

a

Steuergeräte | Aufträge | DISS | TPI | Prüfplan | Ablauf | Sonderfunktionen

ElectronicsRepairService (ERS) -> SoftwareVersionsManagement (SVM)

Eingabe Diagnoseadresse/Massnahmencode

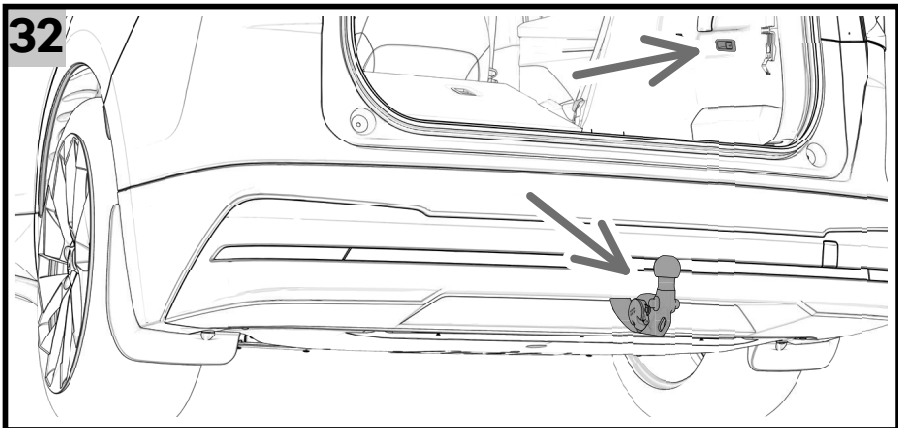
Dieses Programm unterstützt Sie bei der Softwareanpassung (SVM) der Steuergeräte.

Wählen Sie hierzu bitte aus:

- 1. SVM über Diagnoseadresse
- 2. **SVM über Massnahmencode**
- 3. SVM als Um-Nachrüstung
- 4. SVM als Um-Nachrüstung mit Lizenzschutz
- 5. SVM als Um-Nachrüstung mit Lizenzschutz über QR-Code
- 6. Abbruch

WICHTIG!
Zum Freischalten von SWaP- oder FOD-Funktionen ist das Menü Funktions-Freischaltungs-System (FFS) zu wählen.

b



FOLDABLE TOW BAR

EN

Accessories should be professionally installed. Škoda Auto recommends having installation performed by a contractual partner.

Tow bar sets are intended for Superb (NZ) and Superb (NZ) PHEV vehicles with preparation for a tow bar; for assignment to vehicles see the relevant product sheets.

Before installing the tow bar, always check and familiarise yourself with the information provided in the current product sheet for the particular product!

The product sheet includes information regarding:

- Limitations for specific vehicles and equipment during the relevant time period;
- The need to order additional parts connected with installation of the relevant product into the vehicle;
- Required de-mounting of certain parts of the vehicle for specific motorizations and equipment variants.



Warning! Failure to comply with these instructions may:

- Cause critical damage to the car
- Make it impossible to activate the product
- Make installation ineligible for official approval
- Void the warranty

Any consequences resulting from failure to check the product sheet and/or to follow the contained instructions are the responsibility of the person performing the installation of the relevant product.



Caution. Always check current restrictions in the corresponding product sheet for the relevant tow bar at the B2B, ETKA or PLIM portals.

Note

Retrofitting the tow bar places increased demands on the vehicle's cooling system. For this reason, it is important to replace part of the cooling system according to information kept by service technician(s) at a Škoda Auto specialist service centre.



Caution. The images in the instructions serve as general information for fitting. They may differ from the mounting locations of the particular vehicle in some details depending on its equipment! The instructions depict the folding tow bar installation for Superb Limo (NZ3). Proceed in a similar manner for installation in the Superb Combi (NZ5).

Specific mounting steps relating to Superb Limo (NZ3) only or Superb Combi (NZ5) only are shown and marked with text in the pictures of the instructions. Images not marked as such apply to both versions (Limo and Combi).

General Information

The tow bar for Superb (NZ) is manufactured according to approved documentation and corresponds to homologation.

The design of the tow bar complies with all Czech and international regulations. The equipment has passed strength tests. The tow bar is equipped with a tow ball with a diameter of 50 mm.

Foldable tow bar kit contents - Fig. 1

Part name	Qty	Position
Tow bar with wiring	1	A
Bolts	4	B
Control unit	1	C
Plastic nut	2	D
Switch	1	E
Switch cover	1	F
Plastic reinforcement	1	G
Installation Instructions	1	

Caution

In the case of installing a tow bar on Superb Limo (NZ3), order according to the current offer of ŠKODA Genuine Accessories!

Wiring harness for unlocking the tow bar

order no. 5E3 055 204A

The set includes:

- Electric bundle	1	J
- Cable tie	30	K
- Foam rubber self-adhesive tape	5	L

The glue (H) should be ordered separately from the ETKA spare parts catalogue (Teroson 2444).

order no. D428000 M2

In the case of installing a tow bar on Superb Combi (NZ5), order according to the current offer of ŠKODA Genuine Accessories!

Wiring harness for unlocking the tow bar

order no. 5E3 055 204A

The set includes:

- Electric bundle	1	J
- Cable tie	30	K
- Foam rubber self-adhesive tape	5	L

Rear bumper reinforcement should be ordered separately from the ETKA spare parts catalogue

order no. 3J0 807 863A

List of special tools

Universal cleaner (we recommend Prostate 8550)
Torque wrench
Sandpaper (grain 80)

Fitting procedure

Keep the battery disconnected during installation.

When removing and refitting individual parts, follow the instructions in the Škoda Workshop Manual.

Fig. 2

- Diagram showing the location of the foldable tow bar with wiring in the vehicle.

Remove the following:

- rear fender (mud flaps if installed)
- crossmember
- right and left side trim of the luggage compartment
- accumulator + accumulator holder in the left rear part of the luggage compartment (if equipped)
- release the back of the ceiling panel or remove it completely



Caution. If access to the holes for attaching the tow bar on the rear spars is restricted by some parts of the car (SCR tank, AKF, rear part of the exhaust, thermal protection of the exhaust), release or dismantle these parts according to the workshop manual.



Warning. After removing the crossmember, add corrosion protection where the crossmember contacts the body. After treating the body with corrosion protection, screw the removed bolts from the crossmember back into place as shown in Figure 3 and tighten to a torque of μ 20 Nm. Seal them according to service possibilities and practices.

Fig. 4

- Remove the plugs from the tow bar attachment holes in the rear side members (both sides of the car). Apply anti-corrosion protection to the area around the holes, similarly to the bodywork contact points after removing the crossmember.
- If necessary, remove the plastisol parts from inside the side members.

Fig. 5

- **This step requires two workers.**
- Slide the tow bar support (A) along the lengthwise supports into the openings in the rear of the vehicle and adjust it so that the bolts are roughly centred in the attachment holes in the spars.
- Lightly attach the supports to the undercarriage of the vehicle using the four attachment bolts (B). Pull the tow bar in the backward direction.
- **Check the position of the tow bar and tighten the bolts with a torque of 55 Nm + 180° - see close-up - in order (by position of the bolts in the direction of travel):**
 1. rear right
 2. front right
 3. rear left
 4. front left



Warning. If the tow bar is removed and reinstalled, new attachment bolts must be used.

Fig. 6, 7

- Remove the plug from the tow bar wiring pass-through hole in the floor of the vehicle, located on the left side (in the direction of travel).
- Pass the wiring bundle with its terminal strips through the hole into the luggage compartment of the vehicle.
- Install the grommet (included in the wiring of the tow bar) into the hole in the floor of the vehicle, so that no water leakage into the luggage compartment can occur and make sure it is correctly placed!

Fig. 8, 9**Connecting and fixing the control unit (C).**

- Place the control unit on the tuckers on the rear wheel cover as shown in the picture and screw it using the plastic nuts (D). Tighten the nuts to the torque of 1.5 Nm.
- Connect the tow bar wiring harness terminal block (A) to the control unit (C).

Fig. 10

- Description of fixing the tow bar wiring harness in the vehicle luggage compartment.



Caution. Visually check the correct seating of the grommet of the tow bar wiring harness (A) so that there is no leakage into the vehicle -arrow-.

- Route the tow bar harness along the luggage compartment floor sheet to the rear wheel cover, to the control unit as shown.
- Fasten the harness to the vehicle body using the clips -arrows- (they are part of the wiring harness).

Earthing

- Route the earthing lug of the brown wire to the earthing bolt at the wheel cover and connect it to the earthing bolt -arrow-. Tighten the nut to the torque of 8 Nm.

Check the attachment of the entire tow bar wiring bundle. It must be attached in such a way that they cannot become loose or damaged, and that there are no disturbing noises during travel.

Fig. 11

- Connect the terminal block of the wiring harness (J) connecting the control unit to the switch (E), and connect the Škoda terminal block to the control unit (C).

Wiring from control unit to switch for Superb Limo (NZ3) vehicles

Fig. 12

- Route the wiring harness (J) along the existing vehicle harness above the rear wheel cover, along the C-pillar to the ceiling as shown.
- Fasten the harness to the vehicle harness using cable ties (K) -arrows-.

Fig. 13

- Run the wiring harness (J) in the back of the roof from the left side to the right side, up to the C-pillar on the right side, along the existing vehicle harness.
- Fasten the harness to the existing vehicle harness using cable ties (K) -arrows-. In places where attachment using cable ties is impossible, use 3x adhesive foam tape (L) (see the picture). If fastening with cable ties is possible over the entire width of the roof, proceed similarly, see Fig. 16.

Fig. 14

- Lead the harness (J) from the right C-pillar towards the rear of the vehicle, see the picture.
- Fasten the harness to the existing vehicle harness using cable ties (K) -arrows-. Wrap the remaining part of the wiring harness with abrasion-resistant tape up to the terminal block.
- At the point where the bundle enters the oval opening over the edge, tape the harness with foam tape (L) -detail- and apply another foam tape over the harness. Place the remaining part of the harness in the hole in the sheet as shown in the figure.

Check the attachment of the entire tow bar wiring harness. It should be attached in such a way that they cannot become loose or damaged, and that there are no disturbing noises during travel.

Wiring from control unit to switch for Superb Combi (NZ5) vehicles

Fig. 15

- Route the wiring harness (J) along the existing vehicle harness above the rear wheel cover, along the D-pillar to the ceiling as shown.
- Make sure that the harness goes behind the plastic reinforcement, see the picture.
- Fasten the harness to the existing vehicle harness using cable ties (K) -arrows-.

Fig. 16

- Route the wiring harness (J) in the back of the roof from the left side to the right side, up to the D-pillar on the right side, along the existing vehicle harness.
- Fasten the harness to the existing vehicle harness using cable ties (K) -arrows-.
- Use adhesive foam tape (L) to secure the wiring harness to the centre of the roof, see the picture.
- If it is not possible to attach the wiring harness to the existing harness with a cable tie, use the adhesive foam tape and proceed similarly, see Fig. 13.

Fig. 17

- Lead the harness (J) from the right D-pillar towards the rear of the vehicle, see the picture.
- Make sure that the harness goes behind the plastic reinforcement, see the picture.
- Fasten the harness to the existing vehicle harness using cable ties (K) -arrows-.
- Wrap the remaining part of the wiring harness with abrasion-resistant tape up to the terminal block.

Check the attachment of the entire tow bar wiring harness. It should be attached in such a way that they cannot become loose or damaged, and that there are no disturbing noises during travel.

Mounting the switch into the right side trim of the luggage compartment for Superb Limo (NZ3)

Fig. 18, 19

- Place the reinforcement (G) on the back side of the side trim of the luggage compartment in the area of the defined recess.
- Trace the inside and outside outlines of the reinforcement on the luggage compartment side trim using a suitable marker.
- Using established servicing practices and a suitable tool, cut the indicated inside hole from the reverse side of the luggage compartment trim.



Caution. Proceed with utmost caution and care when cutting the hole. Pay attention to precision, making sure not to overcut.

- Visually inspect the quality of the newly cut hole.
- If necessary, carefully cut away any imprecisions with a knife and tidy up any burrs using a suitable tool.



Caution. The hole must not be larger than the outline drawn on the side trim.

Fig. 20, 21

- Roughen the rear surface of the reinforcement (G) using sandpaper (grade 80).
- Afterwards, clean and degrease the coarsened surface using a suitable cleaner (such as Terostat 8550). Allow 10 minutes for the vapours to dissipate.



Caution. The glued surface of the reinforcement must be thoroughly cleaned and degreased!

- Apply glue (H) to the cleaned surface of the reinforcement and the marked surface of the luggage compartment side trim. Allow it to dry for about 10 minutes.

Fig. 22

- Place the reinforcement in its intended place on the luggage compartment side trim and thoroughly press it into place over its entire area.



Caution. Secure the reinforcement in place using suitable clamps so that its entire surface area is firmly pressed against the luggage compartment side trim and leave it fixed in place for at least 1 hour.

Fig. 23

- Snap the switch (E) into the cover (F) as shown so that all 4 tabs on the body of the switch fit into the respective holes in the cover -arrows-.



Caution. All tabs must audibly click into place in their respective holes on both sides of the cover.

Fig. 24

- Snap the cover with the switch attached into the opening in the luggage compartment side trim so that all the attachment tabs of the cover are locked behind the side trim reinforcement (detail). If necessary, lift them carefully using a suitable tool until they are correctly seated.

Fig. 25

- Connect the terminal block of the harness (J) to the terminal block on the switch in the side trim panel of the luggage compartment - detail.



Warning. Make sure that the wiring leading to the switch does not cross any edges of the bodywork.

In the vicinity of such edges, wrap the bundle using a sufficient amount of abrasion-resistant tape.

- Replace all removed parts and tighten the respective connections using specified tightening torque. Connect the battery and perform all tasks related to disconnecting and re-connecting the battery.



Caution: When refitting the right trim of the luggage compartment, check that the harness is not pinched between the side trim and the vehicle body. If yes, adjust the harness position.

Installation of the switch into the right side trim of the luggage compartment for Superb Combi (NZ5)

Fig. 26, 27

- Remove the switch hole cover in the luggage compartment side trim.
- Snap the switch (E) into the opening in the luggage compartment side trim so that all the attachment tabs of the cover are locked.

All tabs must audibly click into the holes.

Fig. 28

- Connect the terminal block of the harness (J) to the terminal block on the switch in the side trim panel of the luggage compartment - detail.



Warning. Make sure that the wiring leading to the switch does not cross any edges of the bodywork.

In the vicinity of such edges, wrap the bundle using a sufficient amount of abrasion-resistant tape.

Fig. 29

Replace the existing rear bumper fitting bar with a new part no. **3JO 807 863A**:

- Remove the wiring terminal blocks from the fitting bar.
- Remove the existing bar.
- Fit a new bar in its place and fasten it with 5 nuts.
- Align the bar with the rear cover and tighten the nuts with Mu 2.5 Nm.
- After tightening the nuts, lower the centring tabs of the bar.
- Reattach the removed terminal blocks of the electrical wiring to the bar.

Replace all removed parts and tighten the respective connections using specified tightening torque. Connect the battery and perform all tasks related to disconnecting and re-connecting the battery.



Caution: When refitting the right trim of the luggage compartment, check that the harness is not pinched between the side trim and the vehicle body. If yes, adjust the harness position.

Tow bar activation

Fig. 30



Warning. Before starting the activation, two loose wirings must be connected with the terminal blocks, which can be found in the front part of the vehicle under the passenger's glove compartment -detail-. Activation is not possible without this connection.

The picture shows the connection of the harness on the left-hand side drive -arrow-. When connecting the harness for the right-hand side drive -arrow- proceed in a similar way.

Fig. 31a, b



Note. If you are installing two or more products equipped with a control unit from the Škoda Genuine Accessories portfolio, connect and activate them gradually. If you activate the units at once, activation may not work correctly (a control unit that is not part of the activation process must not be connected).

- Start a new diagnostic session, using the ODIS program.
- Select the „Special Functions“ tab
- Select „Adapting software“
- Select „SVM via action code“
- Please enter the corrective action code
- You can find the action code in the ETKA catalog under the part number of the specific tow bar.
- Complete the diagnostic process in an ordinary manner.



Caution. Make sure that the code is correct before confirming it. Deactivation is not possible!

Final inspection



Note. Check that there is no collision with the cut-out hole in the rear fender when tilting and folding the arm, see Fig. 32. If a collision occurs, adjust the cut-out hole.

- Perform a function test of the tow bar using a trailer or tester.
- Verify the functionality of the parking camera and the parking sensors (if installed in the vehicle).

TAŽNÉ ZAŘÍZENÍ SKLOPNÉ

Produkty příslušenství jsou určeny k odborné montáži. Škoda Auto doporučuje provádět montáž u smluvních partnerů.

CZ

Sady Tažného zařízení jsou určeny pro vozy Superb (NZ) a Superb (NZ) PHEV s přípravou pro tažné zařízení, přiřazení k vozům viz příslušné produktové listy.

Před samotnou montáží tažného zařízení vždy zkontrolujte a seznamte se s informacemi uvedenými v aktuálním produktovém listu k danému produktu!

V produktovém listu naleznete informace týkající se:

- omezení pro konkrétní vozy a výbavy v daném časovém období
- nutnosti doobjednání dodatečných dílů spojených s montáží daného produktu do vozu
- nutné demontáže některých dílů vozu pro konkrétní motorizace a výbavy



Varování. Nerespektování těchto informací může vést k:

- kritickému poškození vozu
- nemožnosti aktivace produktu
- nemožnosti úředního schválení celé zástavby
- ztrátě záruky

Za následky vzniklé neprověřením v produktovém listu a nedodržením pokynů v něm uvedených odpovídá subjekt provádějící zástavbu daného produktu.



Upozornění. Vždy ověřte aktuální restrikce v odpovídajícím produktovém listu pro dané tažné zařízení na portále B2B, ETKA nebo PLIM.

Poznámka

Dodatečná montáž tažného zařízení klade zvýšené nároky na chladicí systém vozidla. Z tohoto důvodu je nutná výměna části chladicího systému dle informace uložené u servisního technika v odborném servisu Škoda Auto.



Upozornění. Obrázky v návodu slouží jako obecná informace k montáži. V některých detailech se mohou od montážních míst daného vozu lišit (dle výbavy vozu)! V návodu je zobrazena montáž tažného zařízení sklopného na vůz Superb Limo (NZ3). Při montáži na vůz Superb Combi (NZ5) postupujte obdobným způsobem. Konkrétní kroky montáže, týkající se montáže výhradně pro vůz Superb Limo (NZ3) nebo výhradně pro vůz Superb Combi (NZ5) jsou zobrazeny a označeny textem v obrázcích návodu.

Obrázky takto neoznačené platí pro obě provedení vozu (Limo i Combi).

Všeobecné údaje

Tažné zařízení pro vozy Superb (NZ) je vyrobeno podle schválené dokumentace a odpovídá homologaci.

Konstrukce tažného zařízení odpovídá všem českým i mezinárodním předpisům. Zařízení prošlo pevnostními zkouškami. Tažné rameno je opatřeno kulovým čepem o průměru 50 mm.

Sada tažného zařízení sklopného obsahuje - obr. 1

Název dílu	Kusů	Pozice
Tažné zařízení s elektroinstalací	1	A
Šrouby	4	B
Řídicí jednotka	1	C
Plastová matice	2	D
Spínač	1	E
Krytka spínače	1	F
Plastová výztuha	1	G
Montážní návod	1	

Upozornění

V případě instalace tažného zařízení na vůz Superb Limo (NZ3) doobjednejte dle aktuální nabídky ŠKODA Originálního příslušenství!

Kabelový svazek pro odjištění tažného zařízení **objed. číslo 5E3 055 204A**

Sada obsahuje:

- Elektrický svazek	1	J
- Stahovací páska	30	K
- Molitanová lepicí páska	5	L

Lepidlo (H) doobjednejte samostatně z katalogu náhradních dílů ETKA (Teroson 2444).

objed. číslo D428000 M2

V případě instalace tažného zařízení na vůz Superb Combi (NZ5) doobjednejte dle aktuální nabídky ŠKODA Originálního příslušenství!

Kabelový svazek pro odjištění tažného zařízení **objed. číslo 5E3 055 204A**

Sada obsahuje:

- Elektrický svazek	1	J
- Stahovací páska	30	K
- Molitanová lepicí páska	5	L

Výztuhu zadního nárazníku doobjednejte samostatně z katalogu náhradních dílů ETKA

objed. číslo 3J0 807 863A

Seznam speciálního nářadí

Univerzální čistič (doporučujeme Terostat 8550)
Momentový klíč
Brusný papír (zrnitost 80)

Postup montáže

Po dobu montáže mějte odpojený akumulátor.
Při demontáži a zpětné montáži jednotlivých dílů postupujte dle pokynů v Dílenské příručce Škoda.

Obr. 2

- Schéma umístění tažného zařízení sklopného s elektroinstalací ve voze.

Demontujte:

- zadní nárazník (lapače nečistot jsou-li na vozidle)
- příčník
- pravou a levou boční výplň v zavazadlovém prostoru
- akumulátor + držák akumulátoru v levé zadní části zavazadlového prostoru (pokud je ve výbavě vozu)
- uvolněte zadní část panelu stropu nebo jej celý demontujte



Upozornění. V případě, že přístup k otvorům pro uchycení tažného zařízení na zadních podélnících je omezen některými díly vozu (nádobka SCR, AKF, zadní díl výfuku, tepelná ochrana výfuku), tyto díly dle dílenské příručky uvolněte nebo demontujte.



Pozor. Po demontáži příčníku doplňte v místech kontaktu příčníku s karosérií antikorozi ochranu. Po ošetření karoserie antikorozi ochranou našroubujte demontované šrouby z příčníku zpět na místa dle obrázku 3 a utáhněte utahovacím momentem Mu 20 Nm. Proveďte jejich dotěsnění dle servisních možností a zvyklostí.

Obr. 4

- Strhněte záslepky otvorů pro uchycení tažného zařízení na zadních podélnících (obě strany vozu). Plochu kolem otvorů pak ošetřete antikorozi ochranou stejným způsobem jako místa na karoserii po demontáži příčníku.
- V případě potřeby odstraňte části plastizolu uvnitř podélníků.

Obr. 5

- **K této operaci jsou zapotřebí dva pracovníci.**
- Nosník tažného zařízení (A) nasuňte podélnými nosníky do otvorů na zadním čele vozu a ustavte jej tak, aby osy šroubů procházely přibližně středy upevňovacích otvorů v podélnících.
- Nosníky lehce přišroubujte pomocí čtyř upevňovacích šroubů (B) k podvozku vozu. Tažné zařízení zatáhněte směrem dozadu.
- **Zkontrolujte polohu tažného zařízení a šrouby dotáhněte utahovacím momentem 55 Nm + 180° -detail- v pořadí (poloha šroubů dle směru jízdy):**

1. pravý zadní
2. pravý přední
3. levý zadní
4. levý přední



Pozor. Při další případné demontáži a montáži tažného zařízení je nutné vyměnit upevňovací šrouby za nové.

Obr. 6, 7

- Vyměňte záslepek otvoru v podlaze vozu pro protažení svazku elektrické instalace tažného zařízení na levé straně (ve směru jízdy).
- Otvorem protáhněte svazek se svorkovnicí elektrické instalace tažného zařízení do zavazadlového prostoru vozu.
- Osadte průchodku (je součástí elektrické instalace tažného zařízení) do otvoru v podlaze vozu tak, aby nedocházelo k zatékání do vozu a zkontrolujte její správné usazení!

Obr. 8, 9**Zapojení a upevnění řídicí jednotky (C).**

- Řídicí jednotku ustavte na tukry na krytu zadního kola dle obrázku a přišroubujte ji pomocí plastových matic (D). Matice dotáhněte utahovacím momentem 1,5 Nm.
- Svorkovnici svazku elektrické instalace tažného zařízení (A) zapojte do řídicí jednotky (C).

Obr. 10

- Popis uchycení svazku elektrické instalace tažného zařízení v zavazadlovém prostoru vozu.



Upozornění. Vizualně zkontrolujte správné ustavení průchodky svazku elektrické instalace tažného zařízení (A), aby nedocházelo k zatékání do vozu -šipka-.

- Svazek elektrické instalace tažného zařízení ved'te dle obrázku po plechu podlahy zavazadlového prostoru ke krytu zadního kola až k řídicí jednotce.
- Svazek upevněte ke karosérii vozu pomocí příchyttek -šipky-(jsou součástí svazku elektrické instalace).

Ukostření

- Kostřicí oko hnědého vodiče ved'te ke kostřicímu šroubu na krytu kola, připojte je na kostřicí šroub -šipka-. Matice dotáhněte utahovacím momentem 8 Nm.

Zkontrolujte uchycení celého svazku elektrické instalace tažného zařízení. Musí být upevněn tak, aby nemohlo dojít k jeho uvolnění nebo poškození a během jízdy nedocházelo k rušivým zvukům.

Obr. 11

- Svorkovnici svazku elektrické instalace (J) propojující řídicí jednotku se spínačem (E) a svorkovnice ŠKODA zapojte do řídicí jednotky (C).

Vedení elektroinstalace od řídicí jednotky ke spínači pro vozy Superb Limo (NZ3)

Obr. 12

- Svazek elektrické instalace (J) ved'te dle obrázku podél stávajícího svazku instalace vozu nad krytem zadního kola po C sloupku až ke stropu.
- Svazek upevněte ke svazku vozu pomocí stahovacích pásek (K) -šipky-.

Obr. 13

- Svazek elektrické instalace (J) ved'te v zadní části střechy z levé strany na pravou stranu až k C sloupku na pravé straně podél stávajícího svazku instalace vozu.
- Svazek upevněte ke stávajícímu svazku vozu pomocí stahovacích pásek (K) -šipky-. V místech, kde není možnost uchycení stahovacími páskami, použijte 3x molitanovou lepicí pásku (L) viz obrázek. Pokud je uchycení stahovacími páskami možné po celé šířce střechy, postupujte obdobně viz obr. 16.

Obr. 14

- Svazek elektrické instalace (J) vedte od pravého C sloupku směrem k zadní části vozu viz obrázek.
- Svazek upevněte ke stávajícímu svazku vozu pomocí stahovacích pásek (K) -šipky-. Zbývající část svazku omotejte otěruvzdornou páskou až ke svorkovnici.
- V místě, kde svazek vstupuje přes hranu do oválného otvoru, podlepte svazek molitanovou lepicí páskou (L) -detail- a přes svazek umístěte další molitanovou lepicí pásku. Zbývající část svazku umístěte do otvoru v plechu dle obrázku.

Zkontrolujte uchycení celého svazku elektrické instalace. Musí být upevněn tak, aby nemohlo dojít k jeho uvolnění nebo poškození a během jízdy nedocházelo k rušivým zvukům.

Vedení elektroinstalace od řídicí jednotky ke spínači pro vozy Superb Combi (NZ5)

Obr. 15

- Svazek elektrické instalace (J) vedte dle obrázku podél stávajícího svazku instalace vozu nad krytem zadního kola po D sloupku až ke stropu.
- Dejte pozor, aby svazek vedl za plastovou výztuhou viz obrázek.
- Svazek upevněte ke stávajícímu svazku vozu pomocí stahovacích pásek (K) -šipky-.

Obr. 16

- Svazek elektrické instalace (J) vedte v zadní části střechy z levé strany na pravou stranu až k D sloupku na pravé straně podél stávajícího svazku instalace vozu.
- Svazek upevněte ke stávajícímu svazku vozu pomocí stahovacích pásek (K) -šipky-
- Molitanovou lepicí páskou (L) zajistěte svazek elektrické instalace na středu střechy viz obrázek.
- V případě, že není možnost uchycení svazku elektrické instalace stahovací páskou ke stávajícímu svazku, použijte molitanovou lepicí pásku a postupujte obdobně viz obr. 13.

Obr. 17

- Svazek elektrické instalace (J) vedte od pravého D sloupku směrem k zadní části vozu viz obrázek.
- Dejte pozor, aby svazek vedl za plastovou výztuhou viz obrázek.
- Svazek upevněte ke stávajícímu svazku vozu pomocí stahovacích pásek (K) -šipky-.
- Zbývající část svazku omotejte otěruvzdornou páskou až ke svorkovnici.

Zkontrolujte uchycení celého svazku elektrické instalace. Musí být upevněn tak, aby nemohlo dojít k jeho uvolnění nebo poškození a během jízdy nedocházelo k rušivým zvukům.

Nasazení spínače do pravého bočního obložení zavazadlového prostoru pro Superb Limo (NZ3)

Obr. 18, 19

- Výztuhu (G) ustavte na zadní stranu bočního obložení zavazadlového prostoru do oblasti vymezené prolisy.
- Vhodnou fixou obkreslete vnější i vnitřní tvar výztuhy na boční obložení zavazadlového prostoru.
- Dle zvyklostí servisu vyřízněte vhodným nástrojem vnitřní otvor z nepohledové části obložení zavazadlového prostoru.



Upozornění. Při řezání otvoru postupujte s nejvyšší opatrností a pečlivostí. Dbejte na přesnost, nesmí dojít k přetažení řezu.

- Vizuálně zkontrolujte kvalitu vyříznutého otvoru.
- V případě potřeby nepřesnosti opatrně dořízněte nožem a otřepy začistěte vhodným nástrojem.



Upozornění. Otvor nesmí být větší, než je nakreslený obrys na bočním obložení.

Obr. 20, 21

- Plochu zadní strany výztuhy (G) zdrsňte brusným papírem (zrnitost 80).
- Zdrsněnou plochu pak očistěte a odmastěte čističem (např. Terostat 8550). Nechte 10 minut odvětrat.



Upozornění. Lepená plocha výztuhy musí být zcela zbavena mastnoty a všech ostatních nečistot!

- Na očistěnou plochu výztuhy a označenou plochu na bočním obložení zavazadlového prostoru naneste lepidlo (H). Nechte cca 10 min odvětrat.

Obr. 22

- Výztuhu nalepte na určené místo na bočním obložení zavazadlového prostoru a pečlivě přitlačte po celé ploše.



Upozornění. Výztuhu zajistěte vhodnými svorkami tak, aby došlo k přitisknutí výztuhy po celé její ploše na obložení zavazadlového prostoru a nechte ji zafixovanou minimálně 1 hodinu.

Obr. 23

- Spínač (E) nacvakněte do krytky (F) dle obrázku tak, aby všechny 4 zácvaky tělesa spínače zapadly do příslušných otvorů v krytce -šipky-.



Upozornění. Všechny zácvaky musí do příslušných otvorů na obou stranách krytky slyšitelně zacvaknout.

Obr. 24

- Nacvakněte krytku s nasazeným spínačem do otvoru v bočním obložení zavazadlového prostoru tak, aby všechny zácvaky krytky byly zaaretovány za výztuhu na bočním obložení (detail). V případě potřeby je pomocí vhodného nástroje opatrně nadzvedněte, až dojde k jejich správnému ustavení.

Obr. 25

- Do svorkovnice na spínači v panelu bočního obložení zavazadlového prostoru - detail - zapojte svorkovnici svazku (J).



Pozor. Dbejte na to, aby svazek k tlačítku byl veden mimo hrany karoserie. Svazek v blízkosti těchto hran případně dostatečně omotejte otěruvzdornou páskou.

- Namontujte zpět všechny demontované díly a příslušné spoje utáhněte předepsanými utahovacími momenty. Připojte akumulátor a proveďte všechny úkony související s odpojením a znovu připojením akumulátoru.



Upozornění: Při zpětné montáži pravého obložení zavazadlového prostoru zkontrolujte, zda není svazek přimáčknutý mezi boční obložení a karoserii vozu. Pokud ano, upravte polohu svazku.

Nasazení spínače do pravého bočního obložení zavazadlového prostoru pro Superb Combi (NZ5)

Obr. 26, 27

- Demontujte krytku otvoru pro spínač v bočním obložení zavazadlového prostoru.
- Nacvakněte spínač (E) do otvoru v bočním obložení zavazadlového prostoru tak, aby všechny zácvaky spínače byly zaaretovány.

Všechny zácvaky musí do příslušných otvorů slyšitelně zacvaknout.

Obr. 28

- Do svorkovnice na spínači v panelu bočního obložení zavazadlového prostoru - detail - zapojte svorkovnici svazku (J).



Pozor. Dbejte na to, aby svazek k tlačítku byl veden mimo hrany karoserie. Svazek v blízkosti těchto hran případně dostatečně omotejte otěruvzdornou páskou.

Obr. 29

Proveďte výměnu stávající upevňovací lišty zadního nárazníku za novou obj. č. **3JO 807 863A**:

- Demontujte svorkovnice elektroinstalace z lišty.
- Demontujte stávající lištu.
- Na její místo nasadte novou lištu a přichyťte ji 5-ti maticemi.
- Lištu slícujte se zadním víkem a matice dotáhněte, Mu 2,5 Nm.
- Po dotažení matic sklopte centrovací jazýčky lišty.
- Na lištu uchyťte zpět demontované svorkovnice elektroinstalace.

Namontujte zpět všechny demontované díly a příslušné spoje utáhněte předepsanými utahovacími momenty. Připojte akumulátor a proveďte všechny úkony související s odpojením a znovu připojením akumulátoru.



Upozornění: Při zpětné montáži pravého obložení zavazadlového prostoru zkontrolujte, zda není svazek přimáčknutý mezi boční obložení a karoserii vozu. Pokud ano, upravte polohu svazku.

Aktivace tažného zařízení

Obr. 30



Pozor. Před začátkem aktivace se musí propojit dva volné svazky svorkovnicemi, které naleznete v přední části vozu pod schránkou spolujezdce -detail-. Bez jejich propojení není aktivace možná. Na obrázku je znázorněno propojení svazku na levostranném řízení -šipka-. Při propojení svazku u pravostranného řízení -šipka- postupujte obdobným způsobem.

Obr. 31a, b



Upozornění. Pokud provádíte instalaci dvou a více produktů z portfolia Škoda originální příslušenství vybavené řídicí jednotkou, provádějte jejich zapojení a aktivace postupně. Pokud provedete aktivaci jednotek najednou, nemusí aktivace fungovat korektně (řídicí jednotka, která není v procesu aktivace, nesmí být připojena).

- Spustte novou diagnostickou relaci pomocí programu ODIS.
- Zvolte záložku „Zvláštní funkce“
- Zvolte „Přizpůsobení softwaru“
- Zvolte „Aktualizace softwaru pomocí kódu opatření“
- Zadejte kód opatření
- Kód opatření najdete v katalogu ETKA u čísla dílu konkrétního tažného zařízení.
- Diagnostiku dokončete obvyklým způsobem.



Pozor. Před potvrzením kódu opatření se ujistěte o jeho správnosti. Deaktivace není možná!

Závěrečná kontrola



Pozor. Zkontrolujte, nedochází-li při vyklápění a sklápění ramene ke kolizi s otvorem v zadním nárazníku - viz obr. 32. Pokud ano, otvor upravte.

- Proveďte funkční zkoušku tažného zařízení pomocí přívěsu nebo testeru.
- Ověřte bezchybnou funkci parkovací kamery a parkovacích senzorů (jsou-li ve výbavě vozu).

ANHÄNGERKUPPLUNG - KLAPPBAR

Die Produkte des Zubehörs sind zur fachgerechten Montage bestimmt. Škoda Auto empfiehlt, die Montage bei den Vertragspartnern durchführen zu lassen.

Die Sets der Anhängerkupplung sind für die Wagen Superb (NZ) und Superb (NZ) PHEV mit Vorbereitung für die Anhängerkupplung bestimmt, Zuordnung zu den Wagen siehe einschlägige Produktblätter.

Vor der eigentlichen Montage der Anhängerkupplung lesen Sie stets aufmerksam die im aktuellen Produktblatt zum jeweiligen Produkt angeführten Informationen!

Im Produktblatt finden Sie folgende Informationen:

- Einschränkungen für konkrete Fahrzeuge und Ausstattungen im jeweiligen Zeitraum
- Notwendigkeit der Nachbestellung zusätzlicher Teile in Verbindung mit der Montage des jeweiligen Produkts am Fahrzeug
- Notwendige Demontage einiger Fahrzeugteile für bestimmte Motorisierungen und Ausstattungsklassen.



Warnung. Die Missachtung dieser Informationen kann nachstehende Folgen haben:

- kritische Beschädigung des Fahrzeuges
- Unmöglichkeit der Aktivierung des Produktes
- Unmöglichkeit der behördlichen Genehmigung des gesamten Einbaus
- Verlust des Garantieanspruchs

Für die Folgen der Missachtung des Produktblattes und der Nichteinhaltung der hierin angeführten Hinweise haftet die den Einbau des jeweiligen Produkts ausführende Person bzw. Firma.



Hinweis. Überprüfen Sie stets die aktuellen Restriktionen im einschlägigen Produktblatt für die jeweilige Anhängerkupplung auf dem Portal B2B, ETKA oder PLIM.

Anmerkung

Die nachträgliche Montage der Anhängerkupplung stellt erhöhte Ansprüche an das Kühlsystem des Fahrzeuges.

Aus diesem Grund ist der Austausch eines Teils des Kühlsystems gemäß den beim Servicetechniker in der Škoda Auto Fachwerkstatt hinterlegten Informationen erforderlich.



Hinweis. Die Abbildungen in der Anleitung dienen als allgemeine Information zur Montage.

In einigen Details können sie sich von den Montagestellen des jeweiligen Fahrzeuges (je nach der Ausstattung des Fahrzeuges) unterscheiden! In der Anleitung ist die Montage der klappbaren Anhängerkupplung am Fahrzeug Superb Limo (NZ3) dargestellt. Bei der Montage am Fahrzeug Superb Combi (NZ5) verfahren Sie in analoger Weise.

Die konkreten Montageschritte bzgl. der Montage ausschließlich für das Fahrzeug Superb Limo (NZ3) oder ausschließlich für das Fahrzeug Superb Combi (NZ5) sind in den Abbildungen der Anleitung dargestellt und mit einem Text versehen.

In dieser Weise nicht gekennzeichnete Abbildungen gelten für beide Ausführungen (Limo und Combi).

Allgemeines

Die Anhängerkupplung für das Fahrzeug Superb (NZ) wird gemäß der freigegebenen Dokumentation hergestellt und entspricht der Homologation.

Die Konstruktion der Anhängerkupplung entspricht allen tschechischen sowie internationalen Vorschriften. Die Vorrichtung hat Festigkeitstests bestanden. Die Kugelstange ist mit einem Kugelkopf mit einem Durchmesser von 50 mm versehen.

Der Set der klappbaren Anhängerkupplung enthält - Abb. 1

DE

Bezeichnung des Teils	Stückzahl	Position
Anhängerkupplung mit Elektroinstallation	1	A
Schrauben	4	B
Steuereinheit	1	C
Kunststoffmutter	2	D
Schalter	1	E
Schalterkappe	1	F
Kunststoffversteifung	1	G
Montageanleitung	1	

Hinweis

Bestellen Sie im Falle der Installation der Anhängerkupplung am Wagen Superb Limo (NZ3) anhand des aktuellen Angebots von ŠKODA Original Zubehör!

Kabelbaum zur Entriegelung der Anhängerkupplung **Bestellnummer 5E3 055 204A**

Das Set enthält:

- Kabelbaum	1	J
- Kabelbinder	30	K
- Schaumstoff-Klebeband	5	L

Den Kleber (H) bestellen Sie eigenständig aus dem Katalog der Ersatzteile ETKA (Teroson 2444).

Bestellnummer D428000 M2

Bestellen Sie im Falle der Installation der Anhängerkupplung am Wagen Superb Combi (NZ5) anhand des aktuellen Angebots von ŠKODA Original Zubehör!

Kabelbaum zur Entriegelung der Anhängerkupplung **Bestellnummer 5E3 055 204A**

Das Set enthält:

- Kabelbaum	1	J
- Kabelbinder	30	K
- Schaumstoff-Klebeband	5	L

Die Versteifung der hinteren Stoßstange bestellen

Sie Eigenständig anhand des Katalogs der Ersatzteile ETKA **Bestellnummer 3J0 807 863A**

Liste des Spezialwerkzeugs

Universalreiniger (Empfehlung: Terostat 8550)

Momentschlüssel

Schleifpapier (Körnung 80)

Montageverfahren

Trennen Sie für die Dauer der Montage den Akku.

Bei der Demontage und der anschließenden erneuten Montage der einzelnen Teile verfahren

Sie gemäß den Hinweisen im Werkstatthandbuch Škoda.

Abb. 2

- Schema der Anordnung der klappbaren Anhängerkupplung mit der Elektroinstallation im Wagen.

Demontieren Sie:

- hintere Stoßstange (Schmutzfänger, falls vorhanden)
- Querträger
- Rechte und linke Seitenverkleidung im Kofferraum.
- Akkumulator + Akku-Halter im linken hinteren Teil des Kofferraums (sofern in der Ausstattung umfasst)
- Lockern Sie das hintere Teil des Deckenpaneels oder demontieren Sie es ganz.



Hinweis. Falls der Zugang zu den Öffnungen zum Befestigen der Anhängerkupplung an den hinteren Längsträger durch einige Teile des Wagens (SCR-Behälter, AKF, hinteres Auspuffteil, Wärmeschutz des Auspuffs) eingeschränkt ist, sind diese Teile gemäß dem Werkstatthandbuch zu lösen oder zu demontieren.



Achtung. Tragen Sie nach dem Entfernen des Querträgers an den Kontaktstellen des Querträgers mit der Karosserie das Korrosionsschutzmittel auf. Nach der Behandlung der Karosserie mit dem Korrosionsschutzmittel schrauben Sie die vom Querträger demontierten Schrauben an den Stellen gemäß Abb. 3 wieder an und ziehen Sie sie mit einem Anzugsmoment von 20 Nm fest. Führen Sie ihre zusätzliche Abdichtung gemäß den Möglichkeiten der Werkstatt und den Gepflogenheiten durch.

Abb. 4

- Reißen Sie die Blindverschlüsse der Öffnungen zur Befestigung der Anhängerkupplung an den hinteren Längsträgern (beide Seiten des Fahrzeugs) ab. Behandeln Sie die Fläche rund um die Öffnungen anschließend mit einem Korrosionsschutzmittel in gleicher Weise wie die Stellen an der Karosserie nach der Demontage des Querträgers.
- Entfernen Sie eventuelle Plastisolreste im Innern der Längsträger.

Abb. 5

- Für diese Arbeit sind zwei Mitarbeiter erforderlich.
- Schieben Sie den Träger der Anhängerkupplung (A) durch die Längsträger in die Öffnungen an der Heckseite des Fahrzeugs und richten Sie ihn so aus, dass die Schraubenachsen ungefähr durch die Mitten der Befestigungsöffnungen in den Längsträgern verlaufen.
- Schrauben Sie die Träger mithilfe der vier Befestigungsschrauben (B) am Fahrgestell des Fahrzeugs leicht an. Ziehen Sie die Vorrichtung nach hinten.
- Kontrollieren Sie die Position der Anhängerkupplung und ziehen Sie die Schrauben mit einem Anzugsmoment von 55 Nm + 180° - Detail - in folgender Reihenfolge fest (Position der Schrauben gemäß Fahrtrichtung):

1. rechts hinten,
2. rechts vorn,
3. links hinten,
4. links vorn.



Achtung. Bei der nächsten allfälligen Demontage und Montage der Anhängerkupplung müssen die Befestigungsschrauben gegen neue ersetzt werden.

Abb. 6, 7

- Entnehmen Sie den Blindstopfen der Öffnung im Fußboden des Fahrzeugs zum Durchziehen des Kabelbaums der elektrischen Installation der Anhängerkupplung auf der linken Seite (in Fahrtrichtung).
- Ziehen Sie den Kabelbaum mit der Klemmenleiste der elektrischen Installation der Anhängerkupplung durch die Öffnung in den Kofferraum des Fahrzeugs hindurch.

- Setzen Sie die Durchführung (sie ist Bestandteil der elektrischen Installation der Anhängerkupplung) in die Öffnung im Fußboden des Fahrzeugs so ein, dass kein Wasser in das Fahrzeug eindringen kann, und kontrollieren Sie ihren richtigen Sitz!

Abb. 8, 9

Anschluss und Befestigung der Steuereinheit (C).

- Richten Sie die Steuereinheit anhand der Tucker-Schweißbolzen am Radkasten des Hinterrads gemäß der Abbildung aus und schrauben Sie sie mit den Kunststoffmuttern (D) fest. Ziehen Sie die Muttern mit einem Anzugsmoment von 1,5 Nm fest.
- Schließen Sie die Klemmenleiste des Kabelbaums der elektrischen Installation der Anhängerkupplung (A) an die Steuereinheit (C) an.

Abb. 10

- Beschreibung der Befestigung des Kabelbaums der elektrischen Installation der Anhängerkupplung im Kofferraum des Fahrzeugs.



Hinweis. Kontrollieren Sie visuell die korrekte Fixierung der Durchführung des Kabelbaums der elektrischen Installation der Anhängerkupplung (A), damit das Eindringen von Wasser in das Fahrzeug verhindert wird -Pfeil-.

- Führen Sie den Kabelbaum der elektrischen Installation der Anhängerkupplung gemäß der Abbildung auf dem Blech des Kofferraumbodens zum Radkasten des Hinterrads bis zur Steuereinheit.
- Befestigen Sie den Kabelbaum mithilfe der (mit dem Kabelbaum der elektrischen Installation mitgelieferten) Schellen -Pfeile- an der Karosserie des Fahrzeugs.

Masseanschluss

- Führen Sie die Masseanschlussöse des braunen Leiters zur Masseschraube am Radkasten und schließen Sie sie an die Masseschraube an -Pfeil-. Ziehen Sie die Mutter mit einem Anzugsmoment von 8 Nm fest.

Kontrollieren Sie die Befestigung des ganzen Kabelbaums der elektrischen Installation der Anhängerkupplung. Er muss so befestigt sein, dass sein Lösen bzw. seine Beschädigung ausgeschlossen ist und während der Fahrt keine störenden Geräusche auftreten.

Abb. 11

- Schließen Sie die Klemmenleiste des Kabelbaums der elektrischen Installation (J), welche die Steuereinheit mit dem Schalter (E) verbindet, und die Klemmenleisten Škoda an die Steuereinheit (C) an.

Führung der Elektroinstallation von der Steuereinheit zum Schalter für die Wagen Superb Limo (NZ3)

Abb. 12

- Führen Sie den Kabelbaum der elektrischen Installation (J) gemäß der Abbildung entlang des bestehenden Kabelbaums der Installation des Fahrzeugs über dem Radkasten des Hinterrads über die C-Säule bis zur Decke.
- Befestigen Sie den Kabelbaum mithilfe der Kabelbinder (K) - Pfeile- am Kabelbaum des Fahrzeugs.

Abb. 13

- Führen Sie den Kabelbaum der elektrischen Installation (J) im hinteren Teil des Daches von der linken Seite auf die rechte Seite bis zur C-Säule auf der rechten Seite entlang des bestehenden Kabelbaums der Installation des Fahrzeugs.
- Befestigen Sie den Kabelbaum mithilfe der Kabelbinder (K) - Pfeile- am bestehenden Kabelbaum des Fahrzeugs . An jenen Stellen, an denen die Befestigung mittels der Kabelbinder nicht möglich ist, verwenden Sie 3x das Schaumstoffklebeband (L) - siehe Abbildung. Sofern die Befestigung durch Kabelbinder über die gesamte Breite des Daches möglich ist, verfahren Sie analog - siehe Abb. 16.

Abb. 14

- Führen Sie den Kabelbaum der elektrischen Installation (J) von der rechten C-Säule in Richtung zum hinteren Teil des Fahrzeugs - siehe Abbildung.
- Befestigen Sie den Kabelbaum mithilfe der Kabelbinder (K) - Pfeile- am bestehenden Kabelbaum des Fahrzeugs . Umwickeln Sie den verbleibenden Teil des Kabelbaums mit einem abriebfesten Band bis zur Klemmenleiste.
- An jener Stelle, an welcher der Kabelbaum über die Kante in die ovale Öffnung ragt, unterkleben Sie den Kabelbaum mit dem Schaumstoffklebeband (L) - Detail- und überkleben Sie den Kabelbaum mit einem weiteren Schaumstoffklebeband. Bringen Sie den verbleibenden Teil des Kabelbaums gemäß der Abbildung in der Öffnung des Blechs unter.

Kontrollieren Sie die Befestigung des ganzen Kabelbaums der elektrischen Installation. Er muss so befestigt sein, dass sein Lösen bzw. seine Beschädigung ausgeschlossen ist und während der Fahrt keine störenden Geräusche auftreten.

Führung der Elektroinstallation von der Steuereinheit zum Schalter für die Wagen Superb Combi (NZ5)

Abb. 15

- Führen Sie den Kabelbaum der elektrischen Installation (J) gemäß der Abbildung entlang des bestehenden Kabelbaums der Installation des Fahrzeugs über dem Radkasten des Hinterrads über die D-Säule bis zur Decke.
- Achten Sie darauf, dass der Kabelbaum hinter der Kunststoffversteifung verläuft - siehe Abbildung.
- Befestigen Sie den Kabelbaum mithilfe der Kabelbinder (K) - Pfeile- am bestehenden Kabelbaum des Fahrzeugs.

Abb. 16

- Führen Sie den Kabelbaum der elektrischen Installation (J) im hinteren Teil des Daches von der linken Seite auf die rechte Seite bis zur D-Säule auf der rechten Seite entlang des bestehenden Kabelbaums der Installation des Fahrzeugs.
- Befestigen Sie den Kabelbaum mithilfe der Kabelbinder (K) - Pfeile- am bestehenden Kabelbaum des Fahrzeugs .
- Sichern Sie den Kabelbaum der elektrischen Installation mit dem Schaumstoffklebeband (L) - siehe Abbildung in der Mitte des Daches.
- Sollte die Befestigung des Kabelbaums der elektrischen Installation mittels eines Kabelbinders am bestehenden Kabelbaum nicht möglich sein, verwenden Sie das Schaumstoffklebeband und verfahren Sie analog - siehe Abb. 13.

Abb. 17

- Führen Sie den Kabelbaum der elektrischen Installation (J) von der rechten D-Säule in Richtung zum hinteren Teil des Fahrzeugs - siehe Abbildung.
- Achten Sie darauf, dass der Kabelbaum hinter der Kunststoffversteifung verläuft - siehe Abbildung.
- Befestigen Sie den Kabelbaum mithilfe der Kabelbinder (K) - Pfeile- am bestehenden Kabelbaum des Fahrzeugs .
- Umwickeln Sie den verbleibenden Teil des Kabelbaums mit einem abriebfesten Band bis zur Klemmenleiste.

Kontrollieren Sie die Befestigung des ganzen Kabelbaums der elektrischen Installation. Er muss so befestigt sein, dass sein Lösen bzw. seine Beschädigung ausgeschlossen ist und während der Fahrt keine störenden Geräusche auftreten.

Einsetzen des Schalters in die rechte Seitenverkleidung des Kofferraums für Superb Limo (NZ3)

Abb. 18, 19

- Positionieren Sie die Versteifung (G) auf der Rückseite der Seitenverkleidung des Kofferraums in den durch die Einpressungen abgegrenzten Bereich.
- Zeichnen Sie mit einem geeigneten Marker (Filzstift) die äußere und innere Form der Versteifung an der Seitenverkleidung des Kofferraums nach.
- Schneiden Sie je nach den Gepflogenheiten der Werkstatt mit einem geeigneten Werkzeug die innere Öffnung aus dem nicht zu sehenden Teil der Verkleidung des Kofferraums aus.



Hinweis. Verfahren Sie beim Schneiden der Öffnung äußerst vorsichtig und sorgfältig. Achten Sie auf Präzision, der Schnitt darf nicht überzogen werden.

- Kontrollieren Sie visuell die Qualität der ausgeschnittenen Öffnung.
- Schneiden Sie im Fall einer Ungenauigkeit mit einem Messer vorsichtig nach und entgraten Sie den Ausschnitt mit einem passenden Werkzeug.



Hinweis. Die Öffnung darf nicht größer als die auf der Seitenverkleidung markierte Kontur sein.

Abb. 20, 21

- Rauhen Sie die Fläche der hinteren Seite der Versteifung (G) mit Schleifpapier (Körnung 80) auf.
- Säubern Sie anschließend die aufgeraute Fläche und entfetten Sie sie mit einem Reinigungsmittel (z.B. Terostat 8550). 10 Minuten trocknen lassen.



Hinweis. Die zu klebende Fläche der Versteifung muss gänzlich frei von Fett und allen sonstigen Verunreinigungen sein!

- Tragen Sie auf die gereinigte Fläche der Versteifung und auf die markierte Fläche auf der Seitenverkleidung des Kofferraums den Kleber (H) auf. Lassen Sie ihn ca. 10 Minuten einwirken.

Abb. 22

- Kleben Sie die Versteifung auf die vorgesehene Stelle auf der Seitenverkleidung des Kofferraums und drücken Sie sie sorgfältig über die gesamte Fläche an.



Hinweis. Sichern Sie die Versteifung so mit geeigneten Klemmen, dass das Andrücken der Versteifung über ihre gesamte Fläche auf der Verkleidung des Kofferraums erfolgt, und lassen Sie sie mindestens 1 Stunde fixiert.

Abb. 23

- Drücken Sie den Schalter (E) so in die Kappe (F) gemäß der Abbildung, dass alle 4 Schnäpper des Schaltergehäuses in die jeweiligen Öffnungen in der Kappe einrasten -Pfeile-.



Hinweis. Alle Schnäpper müssen in die jeweiligen Öffnungen auf beiden Seiten der Abdeckkappe hörbar einrasten.

Abb. 24

- Drücken Sie die Kappe mit dem eingesetzten Schalter so in die Öffnung in der Seitenverkleidung des Kofferraums, dass alle Schnäpper der Kappe in der Versteifung an der Seitenverkleidung arretiert (ingerastet) sind. Heben Sie sie bei Bedarf mit einem passenden Werkzeug vorsichtig an, bis sie richtig ausgerichtet bzw. positioniert sind.

Abb. 25

- Schließen Sie die Klemmenleiste des Kabelbaums (J) an die Klemmenleiste am Schalter im Panel der Seitenverkleidung des Kofferraums an - Detail -.



Achtung. Darauf achten, dass der Kabelbaum zur Taste außerhalb der Karosseriekanten geführt wird. Den in der Nähe dieser Kanten befindlichen Kabelbaum ausreichend mit abriebfestem Band umwickeln.

- Alle demontierten Teile wieder montieren und die zugehörigen Verbindungen mit den vorgeschriebenen Anzugsmomenten festziehen. Schließen Sie den Akkumulator an und führen Sie alle Tätigkeiten im Zusammenhang mit dem Trennen und dem Wiederanschließen des Akkus durch.



Hinweis: Kontrollieren Sie bei der Rückmontage der rechten Verkleidung des Kofferraums, ob der Kabelbaum nicht zwischen der Seitenverkleidung und der Karosserie des Wagens eingeklemmt ist. Wenn ja, passen Sie die Position des Kabelbaums an.

Einsetzen des Schalters in die rechte Seitenverkleidung des Kofferraums für Superb Combi (NZ5)

Abb. 26, 27

- Demontieren Sie die Kappe der Öffnung für den Schalter in der Seitenverkleidung des Kofferraums.
- Drücken Sie den Schalter (E) in die Öffnung der Seitenverkleidung des Kofferraums so ein, dass alle Schnäpper der Kappe eingerastet sind.

Alle Schnäpper müssen in die jeweiligen Öffnungen hörbar einrasten.

Abb. 28

- Schließen Sie die Klemmenleiste des Kabelbaums (J) an die Klemmenleiste am Schalter im Panel der Seitenverkleidung des Kofferraums an - Detail -.



Achtung. Darauf achten, dass der Kabelbaum zur Taste außerhalb der Karosseriekanten geführt wird. Den in der Nähe dieser Kanten befindlichen Kabelbaum ausreichend mit abriebfestem Band umwickeln.

Abb. 29

Tauschen Sie die bestehende Befestigungsschiene der hinteren Stoßstange gegen eine Neue aus - Bestellnr. 3J0 807 863A:

- Demontieren Sie die Klemmenleisten der elektrischen Installation von der Schiene.

- Demontieren Sie die bestehende Schiene.
- Setzen Sie an ihrer Stelle die neue Schiene auf und befestigen Sie sie mit 5 Muttern.
- Passen Sie die Schiene der hinteren Klappe an und ziehen Sie die Muttern fest, Anzugsmoment $\mu = 2,5 \text{ Nm}$.
- Nach dem Festziehen der Muttern klappen Sie die Zentrierungen der Schiene um.
- Befestigen Sie die demontierten Klemmenleisten der elektrischen Installation wieder an der Schiene.

Alle demontierten Teile wieder montieren und die zugehörigen Verbindungen mit den vorgeschriebenen Anzugsmomenten festziehen. Schließen Sie den Akkumulator an und führen Sie alle Tätigkeiten im Zusammenhang mit dem Trennen und dem Wiederanschließen des Akkus durch.



Hinweis: Kontrollieren Sie bei der Rückmontage der rechten Verkleidung des Kofferraums, ob der Kabelbaum nicht zwischen der Seitenverkleidung und der Karosserie des Wagens eingeklemmt ist. Wenn ja, passen Sie die Position des Kabelbaums an.

Aktivierung der Anhängerkupplung

Abb. 30



Achtung. Vor Beginn der Aktivierung sind die beiden freien Kabelbäume durch jene Klemmenleisten zu verbinden, die sich im vorderen Bereich des Wagens unter der Handschuhkasten befinden - Detail-.

Ohne ihre Verbindung ist die Aktivierung nicht möglich.

Auf der Abbildung ist die Verbindung des Kabelbaums bei Linkslenkung veranschaulicht. Bei der Verbindung des Kabelbaums im Falle der Rechtslenkung -Pfeil- verfahren Sie in analoger Weise.

Abb. 31a, b



Hinweis. Wenn Sie zwei und mehr Produkte aus dem Škoda Originalzubehör Portfolio mit Steuergerät installieren, sind diese Produkte schrittweise zu schalten und zu aktivieren.

Wenn Sie die Einheiten auf einmal aktivieren, muss die Aktivierung nicht korrekt funktionieren (Steuergerät, das im Aktivierungsprozess nicht ist, darf nicht angeschlossen sein).

- Starten Sie eine neue Diagnosesitzung mit dem **ODIS-Programm**.
- Wählen Sie den Reiter „Sonderfunktionen“.
- Wählen Sie „Software anpassen“.
- Wählen Sie „SVM über Massnahmencode“.
- Bitte geben Sie den Massnahmen-Code ein.
- Den Massnahmencode finden Sie im ETKA-Katalog unter der Teilenummer der jeweiligen Anhängerkupplung.
- Beenden Sie die Diagnostik in üblicher Weise.



Achtung. Vergewissern Sie sich vor der Bestätigung des Codes von seiner Richtigkeit. Eine Deaktivierung ist nicht möglich!

Abschließende Kontrolle



Achtung. Kontrollieren Sie, ob beim Aus- und Einklappen des Arms keine Kollision mit der Öffnung in der hinteren Stoßstange erfolgt - siehe Abb. 32. Wenn ja, passen Sie die Öffnung an.

- Führen Sie die Funktionsprüfung der Anhängerkupplung mithilfe eines Anhängers oder Testers durch.
- Überprüfen Sie die fehlerfreie Funktion der Parkkamera und der Parksensoren (sofern in der Ausstattung befindlich).

DISPOSITIVO DE REMOLQUE PLEGABLE

Los accesorios están diseñados para una instalación profesional. Škoda Auto recomienda encargar la instalación a talleres autorizados.

Los kits del Dispositivo de remolque están diseñados para los vehículos Superb (NZ) y Superb (NZ) PHEV con adaptación para dispositivo de remolque.

Consulte las correspondientes fichas de datos de producto para conocer la asignación a los vehículos específicos.

¡Antes de instalar el dispositivo de remolque, compruebe siempre y lea la información especificada en la determinada ficha de producto actual!

En la ficha de producto encontrará la información referente a:

- restricciones para los vehículos y equipamientos concretos para un período determinado.
- la necesidad de encargar piezas adicionales relacionadas con la instalación del producto en el vehículo
- la necesidad de desmontar algunas piezas del coche para determinadas motorizaciones y equipamientos.



Advertencia. De no respetarse esta información puede ocurrir lo siguiente:

- daños críticos en el vehículo
- imposibilidad de activar el producto
- que no se autorice oficialmente la instalación
- pérdida de la garantía

La persona que se encargue de la instalación del producto será responsable de las consecuencias que ocurran por la falta de comprobación e incumplimiento de las indicaciones señaladas en la ficha de producto.



Advertencia. Compruebe siempre las restricciones actuales para los vehículos en la correspondiente ficha de producto del dispositivo de remolque en los portales B2B, ETKA o PLIM.

Nota

La instalación adicional del dispositivo de remolque supone una mayor exigencia para el sistema de refrigeración del vehículo.

Por esta razón, hay que reemplazar una parte del sistema de refrigeración acorde a la información de la que dispone el técnico de servicio del taller oficial de Škoda Auto.



Advertencia. Las imágenes contenidas en el manual son una información general para la instalación.

¡Algunos detalles pueden diferir de los puntos de instalación en un coche determinado (en función del equipamiento del vehículo)! En el manual se puede observar la instalación del dispositivo de remolque plegable en el coche Superb Limo (NZ3). La instalación del dispositivo en el coche Superb Combi (NZ5) es similar. Los pasos de instalación específicos para la instalación exclusiva en el Superb Limo (NZ3) o exclusivamente en el Superb Combi (NZ5), se muestran y marcan con texto en las ilustraciones del manual.

Las imágenes no marcadas de este modo se refieren a ambas versiones del vehículo (Limo y Combi).

Datos generales

El dispositivo de remolque para los vehículos Superb (NZ) está fabricado de acuerdo con la documentación aprobada y cumple con la homologación.

El diseño del dispositivo de remolque cumple con todas las normas checas e internacionales. El dispositivo pasó por pruebas de resistencia. El brazo de remolque está provisto de un pivote esférico con un diámetro de 50 mm.

El juego de dispositivo de remolque plegable incluye - fig. 1

Nombre de la pieza	Total piezas	Posición
Dispositivo de remolque con instalación eléctrica	1	A
Tornillos	4	B
Unidad de control	1	C
Tuerca de plástico	2	D
Interruptor	1	E
Cubierta del interruptor	1	F
Refuerzo de plástico	1	G
Instrucciones de montaje	1	

Atención

Si va a instalar un dispositivo de remolque en un Superb Limo (NZ3), por favor, ¡haga su pedido de acuerdo con la oferta actual de Accesorios Originales ŠKODA!

Mazo de cables para desbloquear el dispositivo de remolque **Núm. de pedido 5E3 055 204A**

El kit contiene:

- Mazo de cables eléctricos	1	J
- Brida sujetacables	30	K
- Cinta adhesiva de espuma	5	L

Pida el adhesivo (H) por separado del catálogo de repuestos ETKA (Teroson 2444).

Núm. de pedido D428000 M2

Si va a instalar un dispositivo de remolque en un Superb Combi (NZ5), por favor, ¡haga su pedido de acuerdo con la oferta actual de Accesorios Originales ŠKODA!

Mazo de cables para desbloquear el dispositivo de remolque **Núm. de pedido 5E3 055 204A**

El kit contiene:

- Mazo de cables eléctricos	1	J
- Brida sujetacables	30	K
- Cinta adhesiva de espuma	5	L

Pida el refuerzo del parachoques trasero por separado del catálogo de repuestos ETKA

Núm. de pedido 3J0 807 863A

Lista de herramientas especiales

Limpiador universal (recomendamos Terostat 8550)

Llave de torsión

Papel abrasivo (tamaño de grano 80)

Procedimiento de la instalación

Mantenga la batería desconectada durante el tiempo de la instalación.

Al desmontar y volver a fijar las piezas proceda según las instrucciones del Manual de taller de Škoda.

Fig. 2

- Esquema de la ubicación del dispositivo de remolque con la instalación eléctrica en el vehículo.

Desmonte:

- Parachoques trasero (los guardabarros, si están instalados en el vehículo)
- Barra transversal
- Relleno derecho e izquierdo lateral del maletero
- Batería + soporte de la batería en la parte izquierda trasera del maletero (si está instalado en el vehículo)
- Afloje la parte posterior del panel del techo o desmonte todo el panel.



Advertencia. Si el acceso a los orificios para fijar el dispositivo de remolque en los largueros traseros está limitado por algunas partes del vehículo (contenedor SCR, AKF, parte trasera del escape, protección térmica del escape), afloje o retire estas partes de acuerdo con lo indicado en el Manual de taller.



Atención. Una vez desmontada la barra transversal, es necesario aplicar protección anticorrosión en las partes donde la barra transversal está en contacto con la carrocería. Después de aplicar la protección anticorrosión en la carrocería, vuelva a colocar los tornillos desmontados de la barra transversal en su ubicación según se muestra en la figura 3 y aplique un par de apriete de Mu 20 Nm. Selle según las posibilidades y prácticas del taller.

Fig. 4

- Retire las tapas de los orificios para fijar el dispositivo de remolque en los largueros traseros (ambos lados del vehículo). Aplique la protección anticorrosión sobre la superficie alrededor de los orificios de la misma forma que en las partes de la carrocería después de desmontar la barra transversal.
- Si es necesario, elimine las partes de plastisol en el interior de los largueros.

Fig. 5

- **Se necesitan dos personas para realizar esta operación.**
- Coloque el larguero del dispositivo de remolque (A) a través de los largueros en los orificios de la parte posterior del vehículo y sitúelo de tal forma que los ejes de los tornillos atraviesen aproximadamente los centros de los orificios de fijación en los largueros.
- Atornille los largueros ligeramente con cuatro tornillos de fijación (B) al chasis del vehículo. Tire del dispositivo de remolque hacia atrás.
- **Compruebe la posición del dispositivo de remolque y ajuste los tornillos con un par de 55 Nm + 180°- detalle - en la siguiente secuencia (posición de los tornillos según la dirección de la marcha):**
 1. derecho trasero
 2. derecho delantero
 3. izquierdo trasero
 4. izquierdo delantero



Atención. En caso de que sea necesario desmontar y montar de nuevo el dispositivo de remolque, hay que sustituir los tornillos de fijación por otros nuevos.

Fig. 6, 7

- Quite la tapa del orificio del suelo del vehículo que sirve para pasar el mazo de cables eléctricos del dispositivo de remolque en el lado izquierdo (en la dirección de la marcha).
- Pase el mazo de cables con el conector de cables eléctricos del dispositivo de remolque a través del orificio hacia el maletero del vehículo.
- ¡Inserte el pasacables (forma parte de los cables eléctricos del dispositivo de remolque) en el orificio del suelo del vehículo de tal manera que no entre la humedad en el interior y compruebe su asentamiento correcto!

Fig. 8, 9**Conexión y fijación de la unidad de control (C).**

- Coloque la unidad de control en las fijaciones de la cubierta de la rueda trasera, tal como se muestra en la imagen, y atornillela con las tuercas plásticas (D). Apriete las tuercas aplicando un par de apriete de 1,5 Nm.
- Conecte el conector del mazo de cables del dispositivo de remolque (A) a la unidad de control (C).

Fig. 10

- Descripción de la fijación del mazo de cables eléctricos del dispositivo de remolque en el maletero del coche.



Advertencia. Compruebe visualmente si el pasacables del mazo de cables eléctricos del dispositivo de remolque (A) está correctamente alineado para evitar filtraciones al vehículo -flecha-.

- Extienda el mazo de cables eléctricos del dispositivo de remolque como se muestra en la figura a lo largo de la chapa del piso del maletero hasta la cubierta de la rueda trasera y hasta la unidad de control.
- Fije el mazo de cables a la carrocería del vehículo con los clips -flechas- (incluidos en el mazo de cables).

Conexión a bastidor

- Lleve el terminal del cable marrón hasta el tornillo de conexión a bastidor en la cubierta de la rueda y conéctelo al mismo- flecha-. Apriete la tuerca aplicando un par de apriete de 8 Nm.

Compruebe la fijación de todo el mazo de cables de la instalación eléctrica del dispositivo de remolque. Los cables deben fijarse de tal forma que no se suelten ni se dañen y que no se produzcan ruidos molestos durante la conducción.

Fig. 11

- Conecte el conector del mazo de cables eléctricos (J) que une la unidad de control con el interruptor (E) y los conectores Škoda con la unidad de control (C).

Mazo de cables de la unidad de control al interruptor para los vehículos Superb Limo (NZ3)

Fig. 12

- Lleve el mazo de cables eléctricos (J) como se muestra en la imagen a lo largo del mazo de cables existente del vehículo, por encima de la cubierta de la rueda trasera a lo largo de la columna C hasta el techo.
- Fije el mazo de cables al mazo de cables del vehículo utilizando cintas de ajuste (K) -flechas-.

Fig. 13

- Lleve el cableado (J) por la parte trasera del techo, desde el lado izquierdo hasta la columna C del lado derecho, a lo largo del mazo de cables existente del vehículo.
- Fije el mazo de cables al cableado existente del vehículo con bridas sujetacables (K) -flechas-. En las zonas donde no es posible la fijación con bridas ajustables, utilice una cinta de espuma 3x (L), véase la imagen. Si es posible la fijación con las bridas sujetacables en toda la anchura del techo, proceda de forma similar, véase la figura 16.

Fig. 14

- Lleve el mazo de cables eléctricos (J) desde la columna C derecha hacia la parte trasera del vehículo, como se indica en la imagen.
- Fije el mazo de cables al mazo de cables existente del vehículo utilizando cintas de ajuste (K) -flechas- Envuelva la parte restante del mazo de cables con una cinta resistente a la abrasión, hasta el conector.
- Donde el mazo entra, a través del borde, en el orificio ovalado, fíjelo con una cinta de espuma (L) -detalle- y coloque otra cinta de espuma sobre él. Coloque la parte restante del mazo en el orificio de la chapa, tal como se muestra en la imagen.

Compruebe la fijación de todo el mazo de cables eléctricos. Los cables deben fijarse de tal forma que no se suelten ni se dañen y que no se produzcan ruidos molestos durante la conducción.

Mazo de cables de la unidad de control al interruptor para los vehículos Superb Combi (NZ5)

Fig. 15

- Lleve el mazo de cables eléctricos (J) tal y como se indica en la imagen a lo largo del mazo de cables eléctricos existente del vehículo, por encima de la cubierta de la rueda trasera a lo largo de la columna D hasta el techo.
- Asegúrese de que el mazo de cables pasa por detrás del refuerzo plástico, como se muestra en la imagen.
- Fije el mazo de cables al mazo de cables existente del vehículo utilizando cintas de ajuste (K) -flechas-.

Fig. 16

- Extienda el mazo de cables eléctricos (J) por la parte trasera del techo, desde el lado izquierdo hasta la columna D del lado derecho, a lo largo del mazo existente de cables eléctricos del vehículo.
- Fije el mazo de cables al mazo de cables existente del vehículo utilizando cintas de ajuste (K) -flechas-.
- Utilice cinta adhesiva de espuma (L) para fijar el mazo de cables en el centro del techo, como se indica en la imagen.
- Si no es posible fijar el mazo de cables eléctricos al mazo existente con cinta de ajuste, utilice una cinta adhesiva de espuma y siga el mismo procedimiento que se indica en la imagen 13.

Fig. 17

- Lleve el mazo de cables eléctricos (J) desde la columna D derecha hacia la parte trasera del vehículo, como se indica en la imagen.
- Asegúrese de que el mazo de cables pasa por detrás del refuerzo plástico, como se muestra en la imagen.
- Fije el mazo de cables al mazo de cables existente del vehículo utilizando cintas de ajuste (K) -flechas-.
- Envuelva la parte restante del mazo de cables con una cinta resistente a la abrasión, hasta el conector.

Compruebe la fijación de todo el mazo de cables eléctricos. Los cables deben fijarse de tal forma que no se suelten ni se dañen y que no se produzcan ruidos molestos durante la conducción.

Colocación del interruptor en el revestimiento derecho lateral del maletero en el Superb Limo (NZ3)

Fig. 18, 19

- Coloque el refuerzo (G) en la parte trasera del revestimiento lateral del maletero, en la zona delimitada por las molduras.
- Utilizando un marcador adecuado dibuje las formas exterior e interior del refuerzo en el revestimiento lateral del maletero.
- De acuerdo con la práctica habitual del taller, recorte con una herramienta adecuada un orificio interior en la parte oculta del revestimiento interior del maletero.



Advertencia. Al recortar el orificio, proceda con máxima prudencia y cuidado. Preste atención a la precisión, ya que el corte no debe sobrepasar su límite.

- Compruebe visualmente la calidad del orificio recortado.
- Si es necesario, repare las faltas de precisión con un cuchillo y elimine las rebabas con una herramienta adecuada.



Advertencia. El orificio no debe ser más grande que el contorno dibujado en el revestimiento lateral.

Fig. 20, 21

- Frote la superficie de la parte trasera del refuerzo (G) con un papel de lija (grano 80).
- A continuación, limpie y desengrase la superficie rugosa con un producto de limpieza (por ejemplo, Terostat 8550). Deje airear durante 10 minutos.



Advertencia. ¡La superficie adhesiva del refuerzo debe estar libre de grasa y otras suciedades!

- Aplique el adhesivo (H) en la superficie limpia y marcada del refuerzo en el revestimiento lateral del maletero. Deje airear durante unos 10 min.

Fig. 22

- Pegue el refuerzo en la parte indicada del revestimiento lateral del maletero y presione con cuidado sobre toda la superficie.



Advertencia. Utilice grapas adecuadas para fijar la adhesión de toda la superficie del refuerzo al revestimiento del maletero. Deje el refuerzo fijado al menos 1 hora.

Fig. 23

- Inserte el interruptor (E) en la correspondiente tapa (F) según la imagen de tal forma que las 4 fijaciones del cuerpo del interruptor encajen en los correspondientes orificios de la tapa -flechas-.



Advertencia. Todas las fijaciones deben hacer un clic audible al encajarlas en los orificios correspondientes por ambos lados de la tapa.

Fig. 24

- Inserte la tapa con el interruptor integrado en el orificio en el revestimiento del maletero de tal forma que todas las fijaciones de la tapa queden retenidas en el refuerzo del revestimiento lateral (detalle). Si es necesario, elévelas con cuidado utilizando una herramienta adecuada hasta que asienten correctamente.

Fig. 25

- Enchufe el conector del mazo de cables (J) en el conector del interruptor del panel de revestimiento lateral del maletero -detalle-.



Atención. Procure que el mazo no pase hacia el botón por los bordes de la carrocería.

Proteja bien el mazo que se encuentre en la proximidad de estos bordes con una cinta resistente a la abrasión.

- Vuelva a instalar todas las piezas desmontadas y ajuste las uniones correspondientes aplicando los pares de apriete establecidos. Conecte la batería y realice todas las operaciones relacionadas con la desconexión y nueva conexión de la batería.



Advertencia: Al volver a montar el revestimiento derecho del maletero compruebe que el mazo de cables no quede aprisionado entre el revestimiento lateral y la carrocería del vehículo. En caso afirmativo, ajuste la posición del mazo.

Colocación del interruptor del revestimiento derecho lateral del maletero en el Superb Combi (NZ5)

Fig. 26, 27

- Desmonte la tapa del orificio para el interruptor del revestimiento lateral del maletero.
 - Inserte el interruptor (E) en el orificio del revestimiento del maletero de manera que todas las fijaciones de la tapa queden retenidas.
- Todas las fijaciones deben hacer un clic audible al encajar en los correspondientes orificios.**

Fig. 28

- Enchufe el conector del mazo de cables (J) en el conector del interruptor del panel de revestimiento lateral del maletero -detalle-.



Atención. Procure que el mazo no pase hacia el botón por los bordes de la carrocería. Proteja bien el mazo que se encuentre en la proximidad de estos bordes con una cinta resistente a la abrasión.

Fig. 29

Sustituya la barra de montaje del parachoques trasero existente por una nueva, **núm. de pedido 3JO 807 863A**:

- Desmonte los conectores de cables eléctricos de la barra.
- Desmonte la barra existente.
- Coloque una barra nueva en su lugar y fíjela con 5 tuercas.

- Alinee la barra con la tapa trasera y apriete las tuercas aplicando un par Mu de 2,5 Nm.
- Después de apretar las tuercas, pliegue hacia abajo las pestañas de centrado de la barra.
- Vuelva a fijar a la barra los conectores de cables eléctricos que ha desmontado.

Vuelva a instalar todas las piezas desmontadas y ajuste las uniones correspondientes aplicando los pares de apriete establecidos. Conecte la batería y realice todas las operaciones relacionadas con la desconexión y nueva conexión de la batería.



Advertencia: Al volver a montar el revestimiento derecho del maletero compruebe que el mazo de cables no quede aprisionado entre el revestimiento lateral y la carrocería del vehículo. En caso afirmativo, ajuste la posición del mazo.

Activación del dispositivo de remolque

Fig. 30



Atención. Antes de iniciar la activación, es necesario conectar los dos mazos de cables sueltos mediante las cajas de bornes que se encuentran en la parte delantera del vehículo, debajo del compartimento de pasajeros -detalle-.

Sin conectarlos, no es posible la activación.

La ilustración muestra la conexión del cableado de la dirección izquierda -flecha-. Para conectar el cableado de la dirección derecha -flecha-, prosiga de manera similar.

Fig. 31a, b



Atención. Si está instalando dos o más productos de la gama de accesorios originales Škoda equipados con una unidad de control, conéctelos y actívelos sucesivamente. Si activa las unidades al mismo tiempo, es posible que la activación no funcione correctamente (la unidad de control que no esté en proceso de activación no debe estar conectada).

- Iniciar una nueva sesión de diagnóstico utilizando el programa ODIS.
- Seleccione la pestaña „Funciones especiales“.
- Elija „Adapter el software.“
- Seleccione „SVM por medio del código de medida“.
- Introduzca el código de medida.
- Puede encontrar el código de medida en el catálogo de ETKA bajo el número de pieza del dispositivo de remolque específico.
- Completar el diagnóstico de la forma habitual.



Atención. Antes de confirmar el código de provisión, cerciórese de que es correcto. ¡La desactivación no es posible!

Inspección final



Atención. Compruebe si al volcar y plegar el brazo no hay colisión con el orificio recortado en el parachoques trasero - ver fig. 32. Si es así, ajuste el orificio cortado.

- Realice una prueba de funcionamiento del dispositivo utilizando un remolque o un tester.
- Compruebe la funcionalidad perfecta de la cámara y los sensores de estacionamiento (si se incluyen en el equipamiento del vehículo).

DISPOSITIF DE REMORQUAGE PLIABLE

Ces accessoires sont destinés à une installation professionnelle. Škoda Auto vous recommande de confier l'installation à un partenaire agréé.

Les attelages de remorquage sont destinés aux voitures Superb (NZ) et Superb (NZ) PHEV avec préparation pour l'attelage de remorquage ; la compatibilité avec les véhicules est indiquée dans les fiches produits.

Avant d'installer l'attelage, vérifiez toujours les informations indiquées dans la fiche produit mise à jour du produit concerné !

Dans la fiche produit, vous trouverez les consignes concernant :

- les restrictions pour des voitures et équipements spécifiques pour une période de temps donnée
- les pièces supplémentaires à commander pour l'installation du produit sur la voiture
- les éléments nécessaires à démonter pour des motorisations et équipements spécifiques



Avertissement. Le non-respect de ces consignes peut provoquer :

- des endommagements graves de votre voiture
- une impossibilité d'activer le produit
- une impossibilité d'homologuer officiellement tout l'équipement
- une perte de la garantie

L'installateur du produit est responsable des conséquences résultant de la non-vérification de la fiche produit et du non-respect des instructions qui y sont contenues.



Avertissement. Consultez toujours les portails B2B, ETKA ou PLIM pour connaître les restrictions mises à jour dans la fiche produit correspondant à l'attelage de remorquage concerné.

Note

L'installation ultérieure d'un dispositif de remorquage augmente les exigences sur le système de refroidissement du véhicule.

Pour cette raison, il est nécessaire de remplacer les composants du système de refroidissement conformément aux informations détenues par les techniciens d'atelier des partenaires agréés Škoda Auto.



Avertissement. Les figures de la notice d'installation sont fournies à titre indicatif pour l'installation.

Certains détails de l'installation peuvent différer (en fonction de l'équipement de la voiture) ! La notice montre l'installation de l'attelage de remorquage pliable sur la voiture Superb Limo (NZ3). L'installation sur la voiture Superb Combi (NZ5) doit être réalisée de façon similaire.

Les étapes spécifiques de l'installation sur le modèle Superb Limo (NZ3) ou Superb Combi (NZ5) sont représentées et annotées dans les différentes figures de la notice. Les figures non marquées de cette manière s'appliquent aux deux versions de la voiture (Limo et Combi).

Données générales

L'attelage de remorquage pour les voitures Superb (NZ) est fabriqué conformément à la documentation approuvée, il est conforme à l'homologation.

La conception de l'attelage de remorquage est conforme à toutes les réglementations tchèques et internationales. L'attelage a subi des tests de résistance mécanique. La barre de remorquage est munie d'une rotule sphérique d'un diamètre de 50 mm.

FR

Kit du dispositif de remorquage pliable contient - Fig. 1

Nom de la pièce	Pièces	Position
Dispositif de remorquage - pliable	1	A
Vis	4	B
Unité de contrôle	1	C
Écrou en plastique	2	D
Interrupteur	1	E
Couvercle de l'interrupteur	1	F
Renfort en plastique	1	G
Notice d'installation	1	

Avertissement

En cas d'installation du dispositif de remorquage pour la voiture Superb Limo (NZ3), veuillez commander, selon l'offre mise à jour de ŠKODA Accessoires d'origine :

Faisceau de câbles pour déverrouiller
le dispositif de remorquage

n° de commande 5E3 055 204A

Le kit contient :

- Faisceau électrique	1	J
- Serre-câbles	30	K
- Ruban adhésif en mousse	5	L

Veuillez commander indépendamment la colle (H) dans le catalogue
des pièces de rechange ETKA (Teroson 2444).

n° de commande D428000 M2

**En cas d'installation du dispositif de remorquage pour la voiture Superb Combi (NZ5),
veuillez commander, selon l'offre mise à jour de ŠKODA Accessoires d'origine :**

Faisceau de câbles pour déverrouiller
le dispositif de remorquage

n° de commande 5E3 055 204A

Le kit contient :

- Faisceau électrique	1	J
- Serre-câbles	30	K
- Ruban adhésif en mousse	5	L

Veuillez commander indépendamment le renfort du pare-chocs arrière
dans le catalogue des pièces de rechange ETKA

n° de commande 3J0 807 863A

Liste des outils spéciaux

Nettoyant universel (nous recommandons Terostat 8550)
Clé dynamométrique
Papier abrasif (granularité 80)

Procédure d'installation

Gardez l'accumulateur débranché pendant l'installation.
Suivez les consignes du Manuel d'atelier Škoda pour le démontage et le remontage des pièces
individuelles.

Fig. 2

- Schéma de l'emplacement du dispositif de remorquage pliable avec câblage électrique dans
la voiture.

Démontez :

- pare-chocs arrière (bavettes pare-boue si montées sur le véhicule)
- traverse
- panneaux latéraux gauche et droit du coffre à bagages
- accumulateur + support accumulateur dans la partie arrière gauche du coffre à bagages (si la voiture en est équipée)
- relâchez la partie arrière du panneau de plafond ou retirez-la complètement



Avertissement. Si l'accès aux trous de fixation du dispositif de remorquage sur les longerons arrière est restreint par certaines pièces de la voiture (conteneur SCR, AKF, partie arrière de l'échappement, protection thermique de l'échappement), débloquez ou démontez ces pièces conformément au manuel d'atelier.



Attention. Après avoir démonté la traverse, ajoutez une protection anti-corrosive aux points de contact de la traverse avec la carrosserie. Après avoir traité la carrosserie avec une protection anti-corrosive, revissez les vis démontées de la traverse à leurs endroits selon la Figure 3 et serrez avec un couple de serrage Mu 20 Nm. Scellez-les selon les possibilités et usages de service.

FR

Fig. 4

- Retirez les bouchons des orifices de fixation de l'attelage de remorquage sur les longerons arrière (des deux côtés de la voiture). Traitez ensuite la surface autour des orifices avec une protection anti-corrosion de la même manière que les zones de la carrosserie après le démontage de la traverse.
- En cas de besoin, enlevez des parties de plastisol à l'intérieur des longerons.

Fig. 5

- **Deux opérateurs sont nécessaires pour ce travail.**
- Insérez les supports longitudinaux de l'attelage de remorquage (A) dans les orifices de la partie arrière de la voiture et ajustez-les de manière que les axes de vis passent approximativement par les centres des orifices de fixation dans les longerons.
- Vissez légèrement les supports au châssis de la voiture à l'aide de quatre vis de fixation (B). Tirez l'attelage de remorquage vers l'arrière.
- **Vérifiez la position du dispositif de remorquage et serrez les vis au couple de serrage de 55 Nm + 180° -détail- dans l'ordre (position des vis selon le sens de circulation) :**
 1. droite arrière
 2. droite avant
 3. gauche arrière
 4. gauche avant



Attention. En cas de démontage et remontage éventuels ultérieurs de l'attelage de remorquage, il est nécessaire de remplacer les vis de fixation par des neuves.

Fig. 6, 7

- Retirez le bouchon de l'orifice dans le plancher sur le côté gauche de la voiture (dans le sens de la circulation) pour y faire passer le faisceau de câblage électrique de la barre de remorquage.
- Faites passer le faisceau électrique avec bornier par l'orifice dans le coffre à bagages de la voiture.
- Insérez le passe-fil (fait partie du câblage électrique de l'attelage de remorquage) dans l'orifice du plancher de la voiture de manière que l'eau ne pénètre pas dans la voiture et vérifiez son positionnement correct !

Fig. 8, 9

Branchement et fixation de l'unité de contrôle (C).

- Placez l'unité de contrôle sur les goujons du garde-boue de la roue arrière comme indiqué sur la figure et vissez-la à l'aide des écrous en plastique (D). Serrez les écrous avec un couple de serrage de 1,5 Nm.
- Connectez le bornier du faisceau électrique de l'attelage de remorquage (A) à l'unité de contrôle (C).

Fig. 10

- Description de la fixation du faisceau électrique de l'attelage de remorquage dans le coffre de la voiture.



Avertissement. Vérifiez visuellement la position correcte du passe-fil du faisceau de câblage électrique (A) pour éviter la pénétration d'eau dans la voiture -flèche-.

- Selon la figure, acheminez le faisceau électrique sur le plancher du coffre le long du garde-boue de la roue arrière jusqu'à l'unité de contrôle.
- Fixez le faisceau à la carrosserie de la voiture à l'aide des clips -flèches- (ils font partie du faisceau).

Mise à la masse

- Fixez l'oeillet du fil brun de mise à la masse à la vis de mise du garde-boue de la roue -flèche-. Serrez l'écrou avec un couple de serrage de 8 Nm.

Vérifiez la fixation correcte de l'ensemble du faisceau de câblage électrique de l'attelage de remorquage. Il doit être fixé de manière à ne pas se libérer ou être endommagé, et à ne pas émettre de bruits gênants pendant la conduite.

Fig. 11

- Connectez à l'unité de contrôle (C) les borniers Škoda et le faisceau de câblage électrique (J) reliant l'unité de contrôle à l'interrupteur (E).

Câblage de l'équipement électrique depuis l'unité de contrôle à l'interrupteur pour les voitures Superb Limo (NZ3)

Fig. 12

- Comme montré sur la figure, acheminez le faisceau électrique (J) le long du faisceau existant du câblage de la voiture, au-dessus du garde-roue de la roue arrière, puis sur le montant C jusqu'au plafond.
- Fixez le faisceau à celui de la voiture à l'aide des serre-câbles (K) -flèches-.

Fig. 13

- Faites passer le faisceau électrique (J) sur la partie arrière du toit, depuis le côté gauche vers le côté droit jusqu'au montant C sur le côté droit, le long du faisceau de câblage existant de la voiture.
- Fixez le faisceau au faisceau existant de la voiture à l'aide des serre-câbles (K) -flèches-. Aux endroits où il n'est pas possible de fixer le faisceau avec des serre-câbles, utilisez 3 rubans adhésifs en mousse (L) selon la figure. Si la fixation avec des serre-câbles est possible sur toute la largeur du toit, procédez selon la Fig. 16.

Fig. 14

- Faites passer le faisceau de câblage électrique (J) depuis le montant C droit vers la partie arrière de la voiture comme indiqué sur la figure.
- Fixez le faisceau au faisceau existant de la voiture à l'aide des serre-câbles (K) -flèches-. Enroulez la partie restante du faisceau avec du ruban adhésif anti-abrasion jusqu'au bornier.
- À l'endroit où le faisceau entre dans l'ouverture ovale, collez un ruban adhésif en mousse (L) entre le faisceau et la carrosserie -détail- puis placez encore un autre ruban adhésif en mousse sur le faisceau. Insérez la partie restante du faisceau dans l'orifice de la carrosserie selon la figure.

Vérifiez la fixation de l'ensemble du faisceau du câblage électrique. Il doit être fixé de manière à ne pas se libérer ou être endommagé, et à ne pas émettre de bruits gênants pendant la conduite.

FR

Câblage de l'équipement électrique depuis l'unité de contrôle à l'interrupteur pour les voitures Superb Combi (NZ5)

Fig. 15

- Selon la figure, acheminez le faisceau de câblage électrique (J) le long du faisceau existant du câblage de la voiture, au-dessus de l'enjoliveur de la roue arrière, le long du montant D jusqu'au plafond.
- Assurez-vous que le faisceau passe derrière le renfort en plastique, voir la figure.
- Fixez le faisceau au faisceau existant de la voiture à l'aide des serre-câbles (K) -flèches-.

Fig. 16

- Faites passer le faisceau électrique (J) dans la partie arrière du toit, depuis le côté gauche vers le côté droit jusqu'au montant D sur le côté droit, le long du faisceau de câblage existant de la voiture.
- Fixez le faisceau au faisceau existant de la voiture à l'aide des serre-câbles (K) -flèches-
- Au centre du toit, fixez le faisceau électrique avec du ruban adhésif en mousse (L), voir la figure.
- Dans le cas où il ne serait pas possible de fixer le faisceau électrique au faisceau existant avec un serre-câbles, utilisez du ruban adhésif en mousse et procédez de manière similaire, voir la Fig. 13.

Fig. 17

- Faites passer le faisceau de câblage électrique (J) depuis le montant D droit vers la partie arrière de la voiture, voir la figure.
- Assurez-vous que le faisceau passe derrière le renfort en plastique, voir la figure.
- Fixez le faisceau au faisceau existant de la voiture à l'aide des serre-câbles (K) -flèches-.
- Enroulez la partie restante du faisceau avec du ruban adhésif anti-abrasion jusqu'au bornier.

Vérifiez la fixation de l'ensemble du faisceau du câblage électrique. Il doit être fixé de manière à ne pas se libérer ou être endommagé, et à ne pas émettre de bruits gênants pendant la conduite.

Installation de l'interrupteur dans la garniture latérale droite du coffre à bagages pour Superb Limo (NZ3)

Fig. 18, 19

- Placez le renfort (G) sur l'arrière de la garniture latérale du coffre à bagages dans la zone définie par les moulures.
- Utilisez un feutre approprié pour tracer les contours extérieurs et intérieurs du renfort sur la garniture.
- Selon les meilleures procédures de votre garage, utilisez un outil approprié pour découper l'ouverture intérieure depuis le côté non visible de la garniture du coffre à bagages.

FR



Avertissement. En découpant, procédez avec la plus grande précaution et avec soin. Faites attention à la précision, la découpe ne doit pas dépasser les contours.

- Vérifiez visuellement la qualité de l'orifice découpé.
- Si nécessaire, ajustez soigneusement les irrégularités avec un couteau et nettoyez des bavures avec un outil approprié.



Avertissement. L'orifice ne doit pas être plus grand que le contour dessiné sur la garniture latérale.

Fig. 20, 21

- Rendez rugueuse la surface du côté arrière du renfort (G) avec du papier de verre (grains 80).
- Puis nettoyez et dégraissez cette surface en utilisant un agent de nettoyage (Terostat 8550). Laissez aérer pendant 10 minutes.



Avertissement. La surface à coller du renfort doit être totalement exempte de graisse et de toutes les autres impuretés !

- Appliquez de la colle (H) sur la surface nettoyée du renfort et sur la surface marquée de la garniture latérale du coffre à bagages. Laissez aérer pendant environ 10 minutes.

Fig. 22

- Collez le renfort à l'endroit déterminé sur la garniture latérale du coffre à bagages et appuyez avec soin sur toute la surface.



Avertissement. Fixez le renfort en utilisant des pinces appropriées de manière à ce que le renfort soit pressé avec toute sa surface sur la garniture du coffre à bagages et laissez-le fixé au moins pendant 1 heure.

Fig. 23

- Selon la figure, insérez l'interrupteur (E) dans le cache (F) de manière que les 4 sécurités du corps de l'interrupteur s'enclenchent dans les orifices respectifs du cache -flèches-.



Avertissement. Toutes les sécurités doivent s'enclencher dans leurs orifices respectifs sur les deux côtés du couvercle avec un claquement audible.

Fig. 24

- Insérez le cache avec interrupteur installé dans l'ouverture de la garniture latérale du coffre à bagages de manière que toutes les sécurités soient bloquées derrière le renfort de la garniture latérale (détail). En cas de besoin, soulevez-les soigneusement avec un outil approprié jusqu'à ce que leur position soit correcte.

Fig. 25

- Connectez le bornier du faisceau (J) dans le bornier de l'interrupteur dans le panneau latéral du coffre à bagages - détail.



Attention. Assurez-vous que le faisceau soit conduit hors des angles de la carrosserie.

Si nécessaire, enroulez le faisceau avec suffisamment de ruban anti-abrasion à proximité de tels angles.

- Remontez toutes les pièces démontées et serrez les fixations avec les couples de serrages prescrits. Connectez la batterie et effectuez toutes les opérations liées à la déconnexion et la reconnexion de la batterie.



Avertissement : Lors du remontage de la garniture droite du coffre à bagages, vérifiez que le faisceau n'est pas coincé entre la garniture latérale et la carrosserie. Si c'est le cas, ajustez la position du faisceau.

FR

Installation de l'interrupteur dans la garniture latérale droite du coffre à bagages pour Superb Combi (NZ5)

Fig. 26, 27

- Démontez le cache de l'orifice pour l'interrupteur dans la garniture latérale du coffre à bagages.
- Insérez l'interrupteur (E) dans l'orifice de la garniture latérale de manière que toutes les sécurités du cache soient bloquées.

Toutes les sécurités doivent s'enclencher avec un claquement audible.

Fig. 28

- Connectez le bornier du faisceau (J) dans le bornier de l'interrupteur dans le panneau latéral du coffre à bagages - détail.



Attention. Assurez-vous que le faisceau soit conduit hors des angles de la carrosserie.

Si nécessaire, enroulez le faisceau avec suffisamment de ruban anti-abrasion à proximité de tels angles.

Fig. 29

Remplacez la barre de fixation existante du pare-chocs arrière par une nouvelle, n° de commande **3JO 807 863A** :

- Démontez les borniers de câblage électrique de la barre.
- Démontez la barre existante.
- Mettez une nouvelle barre à sa place et fixez-la avec 5 écrous.
- Alignez la barre avec le couvercle arrière et serrez les écrous, Mu 2,5 Nm.
- Après avoir serré les écrous, baissez les languettes de centrage de la barre.
- Repositionnez les borniers démontés de câblage électrique sur la nouvelle barre.

Remontez toutes les pièces démontées et serrez les fixations avec les couples de serrages prescrits. Connectez la batterie et effectuez toutes les opérations liées à la déconnexion et la reconnexion de la batterie.



Avertissement : Lors du remontage de la garniture droite du coffre à bagages, vérifiez que le faisceau n'est pas coincé entre la garniture latérale et la carrosserie. Si c'est le cas, ajustez la position du faisceau.

Activation du dispositif de remorquage

Fig. 30



Attention. Avant de commencer l'activation, deux faisceaux libres doivent être connectés aux borniers qui se trouvent dans la partie avant de la voiture, sous la boîte de rangement de passager -détail-.

L'activation n'est pas possible dans leur connexion.

La figure montre la connexion du faisceau sur la conduite à gauche -flèche-. Procédez de la manière similaire en connectant le faisceau pour la conduite à droit -flèche-.

Fig. 31a, b



Avertissement. Si vous installez au moins deux ou plus de produits de la gamme d'accessoires d'origine Škoda dans la voiture équipée d'une unité de commande, connectez-les et activez-les progressivement.

Si vous activez les unités en même temps, l'activation peut cesser de fonctionner correctement (une unité de commande qui n'est pas en cours d'activation ne doit pas être connectée).

- Démarrez une nouvelle session de diagnostic à l'aide du programme ODIS.
- Sélectionnez l'onglet „Fonctions spéciales“.
- Choisissez „Adarter logiciel“.
- Sélectionnez „SVM via le code de Mesure“.
- Merci de saisir le code de Mesure.
- Vous trouverez le code de Mesure dans le catalogue ETKA sous la référence du dispositif de remorquage spécifique.
- Terminez le diagnostic comme d'habitude.



Attention. Avant de confirmer le code de mesure, assurez-vous qu'il est correct. Il n'est pas possible de le désactiver !

Contrôle final



Avertissement. Vérifiez qu'il n'y a pas de collision avec le trou découpé dans le pare-chocs arrière en inclinant ou abaissant le bras - voir Fig. 32. Si c'est le cas, ajustez le trou découpé.

- Effectuez un test fonctionnel du dispositif de remorquage à l'aide d'une remorque ou d'un testeur.
- Vérifiez que la caméra de stationnement et les capteurs de stationnement (si la voiture en est équipée) fonctionnent correctement.

ORGANO DI TRAINO PIEGHEVOLE

Gli accessori sono destinati al montaggio da parte del personale specializzato. Škoda Auto consiglia di eseguire il montaggio presso i partner autorizzati.

I kit dell'organo di traino sono destinati ai veicoli Superb (NZ) e Superb (NZ) PHEV con predisposizione per gli organi di traino; vedere le relative schede tecniche del prodotto per gli abbinamenti ai veicoli.

Controllare e leggere sempre le informazioni fornite nella scheda attuale di un determinato prodotto prima di montare l'organo di traino!

Nella scheda del prodotto sono riportate informazioni relative a:

- limitazioni per determinati veicoli e attrezzature in un determinato periodo
- la necessità di ordinare parti aggiuntive connesse al montaggio del prodotto nel veicolo
- lo smontaggio necessario di alcune parti del veicolo per determinati motori e attrezzature



Avvertenza. Il mancato rispetto di queste informazioni può comportare:

- danni critici al veicolo
- impossibilità di attivare il prodotto
- impossibilità di approvare l'intero sistema da parte delle autorità
- perdita della garanzia

Il soggetto che effettua il montaggio del prodotto è responsabile delle conseguenze per la mancata consultazione della scheda del prodotto e il mancato rispetto delle istruzioni ivi riportate.



Avvertenze. Controllare sempre le restrizioni attuali nella scheda del prodotto corrispondente per l'organo di traino in questione sul portale B2B, ETKA o PLIM.

Nota

Il montaggio aggiuntivo dell'organo di traino comporta un aumento dei requisiti del sistema di raffreddamento del veicolo.

Per questo motivo, è necessario sostituire una parte del sistema di raffreddamento secondo le informazioni disponibili presso il tecnico dell'assistenza specializzata Škoda Auto.



Avvertenze. Le immagini riportate in questo manuale sono fornite a titolo informativo in relazione al montaggio.

In alcuni dettagli, possono differire dai punti di montaggio del veicolo (in base al suo equipaggiamento)! Nelle istruzioni, è illustrata la procedura di montaggio di un organo di traino inclinabile su un veicolo Superb Limo (NZ3). Procedere in modo analogo per il montaggio su un veicolo Superb Combi (NZ5).

Le fasi di montaggio specifiche riguardanti esclusivamente il veicolo Superb Limo (NZ3) o esclusivamente il veicolo Superb Combi (NZ5) sono raffigurate e indicate da un testo nelle figure del manuale.

Le figure senza tale indicazione si riferiscono a entrambe le versioni del veicolo (Limo e Combi).

Informazioni generali

L'organo di traino per i veicoli Superb (NZ) è realizzato secondo la documentazione approvata ed è conforme all'omologazione.

La struttura dell'organo di traino è conforme a tutte le normative ceche e internazionali. L'organo di traino ha superato le prove di resistenza. La barra di traino è dotata di un giunto sferico del diametro di 50 mm.

Il kit di organo di traino pieghevole include - fig. 1

Nome della parte	Pezzi	Posizione
Organo di traino con cablaggio	1	A
Bulloni	4	B
Unità di controllo	1	C
Dado di plastica	2	D
Interruttore	1	E
Coperchio dell'interruttore	1	F
Rinforzo in plastica	1	G
Istruzioni per il montaggio	1	

Avvertenze

Se si installa l'organo di traino sul veicolo Superb Limo (NZ3), ordinare gli accessori originali ŠKODA pertinenti.

Cablaggio per lo sblocco dell'organo di traino **n. d'ordine 5E3 055 204A**

Il kit include:

- Cablaggio elettrico	1	J
- Fascetta	30	K
- Nastro adesivo in gommapiuma	5	L

Ordinare la colla (H) separatamente dal catalogo di parti di ricambio ETKA (Teroson 2444).

n. d'ordine D428000 M2

Se si installa l'organo di traino sul veicolo Superb Combi (NZ5), ordinare gli accessori originali ŠKODA pertinenti.

Cablaggio per lo sblocco dell'organo di traino **n. d'ordine 5E3 055 204A**

Il kit include:

- Cablaggio elettrico	1	J
- Fascetta	30	K
- Nastro adesivo in gommapiuma	5	L

Ordinare il rinforzo del paraurti posteriore separatamente dal catalogo di parti di ricambio ETKA

n. d'ordine 3J0 807 863A

Elenco di attrezzi speciali

Pulitore universale (raccomandiamo Terostat 8550)
Chiave dinamometrica
Carta abrasiva (grana 80)

Procedura di montaggio

Durante il montaggio, tenere la batteria scollegata.

Durante lo smontaggio e il rimontaggio delle singole parti, seguire le istruzioni riportate nel manuale d'officina Škoda.

Fig. 2

- Schema della collocazione dell'organo di traino pieghevole con cablaggio nel veicolo.

Smontare:

- il paraurti posteriore (e i paraspruzzi, se presenti sul veicolo)
- la traversa
- il rivestimento laterale sinistro e destro del vano bagagli
- la batteria + il portabatteria nella parte posteriore sinistra del vano bagagli (se in dotazione)
- allentare la parte posteriore del pannello del soffitto o smontare l'intero pannello



Avvertenze. Se l'accesso ai fori di montaggio degli organi di traino sui longheroni posteriori è limitato da alcune parti del veicolo (serbatoio SCR, filtro al carbone attivo, sezione posteriore del tubo di scappamento, protezione termica del tubo di scappamento), allentare o rimuovere queste parti secondo il manuale di officina.



Attenzione. Dopo aver rimosso la traversa, applicare una protezione anticorrosione nei punti di contatto della traversa con la carrozzeria. Dopo aver applicato una protezione anticorrosione sulla carrozzeria, riavvitare i bulloni rimossi dalla traversa come mostrato nella figura 3 e serrare a una coppia di serraggio Mu 20 Nm. Sigillarli in base alle possibilità e alle pratiche di servizio.

Fig. 4

- Staccare le flange cieche dei fori di fissaggio dell'organo di traino sui longheroni posteriori (entrambi i lati del veicolo). Trattare quindi l'area intorno ai fori con una protezione anticorrosione allo stesso modo dei punti sulla carrozzeria dopo aver smontato la traversa.
- Se necessario, rimuovere le parti in plastisol all'interno dei longheroni.

Fig. 5

- **Per questa operazione, è richiesta la presenza di due persone.**
- Far scorrere la trave dell'organo di traino (A) lungo i longheroni fino ai fori sul lato posteriore del veicolo e posizionarla in modo che gli assi delle viti si trovino approssimativamente al centro dei fori di fissaggio nei longheroni.
- Avvitare leggermente i longheroni con le quattro viti di fissaggio (B) al telaio del veicolo. Tirare all'indietro l'organo di traino.
- **Controllare la posizione dell'organo di traino e stringere le viti ad una coppia di serraggio di 55 Nm + 180° -dettato- nell'ordine seguente (posizione delle viti rispetto alla direzione di marcia):**
 1. posteriore destra
 2. anteriore destra
 3. posteriore sinistra
 4. anteriore sinistra



Attenzione. Se l'organo di traino viene nuovamente smontato e rimontato, le viti di fissaggio devono essere sostituite con viti nuove.

Fig. 6, 7

- Rimuovere la flangia cieca del foro nel pavimento del veicolo per far passare il cablaggio dell'organo di traino sul lato sinistro (rispetto al senso di marcia).
- Far passare nel foro il cablaggio con la morsettiera dell'organo di traino fino al vano bagagli del veicolo.
- Montare il gommino passacavo (fa parte del cablaggio dell'organo di traino) nel foro del pavimento del veicolo per evitare la penetrazione di liquidi nel veicolo e controllare che sia posizionato correttamente!

Fig. 8, 9

Collegamento e fissaggio dell'unità di controllo (C).

- Posizionare l'unità di controllo sui perni del copriruota posteriore come indicato nella figura e avvitare con i dadi di plastica (D). Serrare i dadi ad una coppia di serraggio 1,5 Nm.
- Collegare la morsettiera del cablaggio dell'organo di traino (A) all'unità di controllo (C).

Fig. 10

- Descrizione del fissaggio del cablaggio elettrico dell'organo di traino nel vano bagagli del veicolo.



Avvertenze. Controllare visivamente che il passante del cablaggio dell'organo di traino (A) sia allineato correttamente per evitare la penetrazione di liquidi nel veicolo -freccia-.

- Installare il cablaggio dell'organo di traino come indicato nella figura lungo il pianale del vano bagagli fino al copriruota posteriore e fino all'unità di controllo.
- Fissare il cablaggio alla carrozzeria utilizzando le clip -frecce- (incluse nel cablaggio).

Messa a terra

- Portare l'occhiello di terra del conduttore marrone fino alla vite di terra presente sul copriruota, collegarlo alla vite di terra -freccia-. Serrare il dado ad una coppia di serraggio di 8 Nm.

Controllare il fissaggio dell'intero cablaggio dell'organo di traino. Deve essere fissato in modo da evitarne l'allentamento o il danneggiamento e da non causare rumori molesti durante la guida.

Fig. 11

- Collegare la morsettiera del cablaggio (J) che collega l'unità di controllo all'interruttore (E) e le morsettiere Škoda all'unità di controllo (C).

Installazione del cablaggio dall'unità di controllo all'interruttore per i veicoli Superb Limo (NZ3)

Fig. 12

- Far passare il cablaggio (J) come indicato nella figura lungo il cablaggio esistente del veicolo sopra il copriruota posteriore, lungo il montante C fino al soffitto.
- Fissare il cablaggio a quello del veicolo utilizzando le fascette stringicavo (K) -frecce-.

Fig. 13

- Far passare il cablaggio (J) nella parte posteriore del tetto, dal lato sinistro al lato destro fino al montante C sul lato destro, lungo il cablaggio esistente del veicolo.
- Fissare il cablaggio a quello esistente del veicolo utilizzando le fascette stringicavo (K) -frecce-. Nei punti in cui non è possibile effettuare il fissaggio con le fascette stringicavo, utilizzare 3 strisce di nastro adesivo in gommapiuma (L), vedi figura. Se il fissaggio con le fascette stringicavo è possibile su tutta la larghezza del tetto, procedere allo stesso modo, vedi figura 16.

Fig. 14

- Far passare il cablaggio (J) dal montante C destro verso la parte posteriore del veicolo, vedi figura.
- Fissare il cablaggio a quello esistente del veicolo utilizzando le fascette stringicavo (K) -frecce-. Avvolgere la parte restante del cablaggio con nastro resistente all'abrasione fino alla morsettieria.
- Nel punto in cui il cablaggio entra nel foro ovale passando per il bordo, fissare il cablaggio con il nastro adesivo in gommapiuma (L) -dettaglio- e incollare un'altra striscia di nastro adesivo in gommapiuma sul cablaggio. Posizionare la parte rimanente del cablaggio nel foro della lamiera, come indicato nella figura.

Controllare il fissaggio dell'intero cablaggio. Deve essere fissato in modo da evitarne l'allentamento o il danneggiamento e da non causare rumori molesti durante la guida.

Installazione del cablaggio dall'unità di controllo all'interruttore per i veicoli Superb Combi (NZ5)

IT

Fig. 15

- Far passare il cablaggio (J) come indicato nella figura lungo il cablaggio esistente del veicolo sopra il copriuota posteriore, lungo il montante D fino al soffitto.
- Assicurarsi che il cablaggio passi dietro il rinforzo di plastica, vedi figura.
- Fissare il cablaggio a quello esistente del veicolo utilizzando le fascette stringicavo (K) -frecce-.

Fig. 16

- Far passare il cablaggio (J) nella parte posteriore del tetto, dal lato sinistro al lato destro fino al montante D sul lato destro, lungo il cablaggio esistente del veicolo.
- Fissare il cablaggio a quello esistente del veicolo utilizzando le fascette stringicavo (K) -frecce-.
- Utilizzare il nastro adesivo in gommapiuma (L) per fissare il cablaggio al centro del tetto, vedi figura.
- Se non è possibile fissare il cablaggio al cablaggio esistente con una fascetta stringicavo, utilizzare il nastro adesivo in gommapiuma e procedere allo stesso modo, vedi figura 13.

Fig. 17

- Far passare il cablaggio (J) dal montante D destro verso la parte posteriore del veicolo, vedi la figura.
- Assicurarsi che il cablaggio passi dietro il rinforzo di plastica, vedi la figura.
- Fissare il cablaggio a quello esistente del veicolo utilizzando le fascette stringicavo (K) -frecce-.
- Avvolgere la parte restante del cablaggio con nastro resistente all'abrasione fino alla morsettieria.

Controllare il fissaggio dell'intero cablaggio. Deve essere fissato in modo da evitarne l'allentamento o il danneggiamento e da non causare rumori molesti durante la guida.

Montaggio dell'interruttore sul rivestimento laterale destro del vano bagagli per la Superb Limo (NZ3)

Fig. 18, 19

- Posizionare il rinforzo (G) sul retro del rivestimento laterale del vano bagagli, nell'area delimitata dalle modanature.
- Utilizzando un pennarello adatto, disegnare la forma esterna e interna del rinforzo sul rivestimento laterale del vano bagagli.
- Secondo le abitudini dell'assistenza, praticare un foro interno con un attrezzo adatto nella parte nascosta del rivestimento del vano bagagli.



Avvertenze. Durante l'esecuzione del foro, prestare la massima attenzione e cura. Fare attenzione alla precisione e a non uscire fuori dall'area contrassegnata per il foro.

- Controllare visivamente la qualità del foro praticato.
- Se necessario, in caso di imprecisioni, correggere il taglio con un coltello, agendo con cautela, e rimuovere le sbavature con un attrezzo adatto.



Avvertenze. Il foro non deve essere più grande del contorno disegnato sul rivestimento laterale.

Fig. 20, 21

- Sgrossare la superficie del lato posteriore del rinforzo (G) con carta abrasiva (grana 80).
- Infine, pulire e sgrassare la superficie sgrossata con un detergente (ad es., Terostat 8550). Lasciare asciugare per 10 minuti.



Avvertenze. La superficie di incollaggio del rinforzo deve essere completamente priva di grasso e residui di sporco.

- Applicare la colla (H) sull'area pulita del rinforzo e sull'area contrassegnata sul rivestimento laterale del vano bagagli. Lasciare asciugare per circa 10 minuti.

Fig. 22

- Incollare il rinforzo nel punto specificato del rivestimento laterale del vano bagagli, quindi premere con cautela su tutta la superficie.



Avvertenze. Fissare il rinforzo con fermi adeguati in modo che il rinforzo venga premuto completamente sul rivestimento del vano bagagli e lasciarlo aderire per almeno 1 ora.

Fig. 23

- Inserire l'interruttore (E) nel coperchio (F) come indicato nella figura, in modo che tutti e 4 gli inserti del corpo dell'interruttore si inseriscano nei fori corrispondenti del coperchio -frecce-.



Avvertenze. Tutti gli inserti devono chiudersi a scatto in modo udibile nei fori corrispondenti su entrambi i lati del coperchio.

Fig. 24

- Inserire il coperchio con l'interruttore installato nel foro del rivestimento laterale del vano bagagli, in modo che tutti gli inserti del coperchio siano bloccati dietro il rinforzo del rivestimento laterale (dettaglio). Se necessario, utilizzare un attrezzo adatto per sollevarli con cautela fino a quando non saranno correttamente inseriti.

Fig. 25

- Collegare la morsettiera del cablaggio (J) alla morsettiera dell'interruttore nel pannello del rivestimento laterale del vano bagagli - dettaglio -.



Attenzione. Assicurarsi che il cablaggio del pulsante passi lontano dai bordi della carrozzeria.

Eventualmente, avvolgere il cablaggio nei pressi di questi bordi con un nastro resistente all'abrasione.

- Rimontare tutte le parti smontate e serrare i raccordi ai valori di coppia di serraggio specificati. Collegare la batteria ed eseguire tutte le azioni associate allo scollegamento e ricollegamento della batteria.



Avvertenze: Se si rimonta il rivestimento destro del vano bagagli, verificare che il cablaggio non sia schiacciato tra il rivestimento laterale e la carrozzeria del veicolo. Se sì, correggere la posizione del cablaggio.

IT

Montaggio dell'interruttore sul rivestimento laterale destro del vano bagagli per la Superb Combi (NZ5)

Fig. 26, 27

- Smontare il coperchio del foro dell'interruttore nel rivestimento laterale del vano bagagli.
- Inserire l'interruttore (E) nel foro del rivestimento laterale del vano bagagli, in modo che tutti gli inserti del coperchio siano bloccati.

Tutti gli inserti devono chiudersi a scatto in modo udibile nei fori corrispondenti.

Fig. 28

- Collegare la morsettiera del cablaggio (J) alla morsettiera dell'interruttore nel pannello del rivestimento laterale del vano bagagli - dettaglio -.



Attenzione. Assicurarsi che il cablaggio del pulsante passi lontano dai bordi della carrozzeria.

Eventualmente, avvolgere il cablaggio nei pressi di questi bordi con un nastro resistente all'abrasione.

Fig. 29

Sostituire la barra di fissaggio del paraurti posteriore esistente con una nuova, **n. ord. 3JO 807 863A:**

- Smontare le morsettiere dell'impianto elettrico dalla barra.
- Smontare la barra esistente.
- Collocare la nuova barra al suo posto e fissarla con 5 dadi.
- Allineare la barra al coperchio posteriore e serrare i dadi, Mu 2,5 Nm.
- Dopo aver serrato i dadi, piegare le linguette di centraggio della barra.
- Fissare nuovamente alla barra le morsettiere dell'impianto elettrico smontate.

Rimontare tutte le parti smontate e serrare i raccordi ai valori di coppia serraggio specificati. Collegare la batteria ed eseguire tutte le attività associate allo scollegamento e ricollegamento della batteria.



Avvertenze: Se si rimonta il rivestimento destro del vano bagagli, verificare che il cablaggio non sia schiacciato tra il rivestimento laterale e la carrozzeria del veicolo. Se sì, correggere la posizione del cablaggio.

Attivazione degli organi di traino

Fig. 30



Attenzione. Prima di iniziare l'attivazione, è necessario collegare i due cablaggi sciolti utilizzando le morsettiere che si trovano nella parte anteriore del veicolo sotto il vano del passeggero -dettaglio-.

Senza il loro collegamento, l'attivazione non è possibile.

La figura mostra il collegamento del cablaggio in caso di guida a sinistra -freccia-. Per il collegamento del cablaggio in caso di guida a destra, procedere analogamente.

IT

Fig. 31a, b



Avvertenza. Se installi due o più prodotti del portafoglio di accessori originali Škoda dotati di centralina, collegali e attivali gradualmente. Se si attivano le unità contemporaneamente, l'attivazione potrebbe non funzionare correttamente (un'unità di controllo che non è in fase di attivazione potrebbe non essere collegata).

- Avviare una nuova sessione diagnostica utilizzando il programma ODIS.
- Seleziona la scheda „Funzioni speciali“.
- Scegli „Aggiornare software“
- Selezionare „SVM tramite codice provvedimento“
- Immettere il valore provvedimento
- Il codice provvedimento è reperibile sul catalogo ETKA sotto il codice articolo dello specifico dispositivo di traino.
- Completare la diagnostica nel solito modo.



Attenzione. Prima di confermare il codice della misura verificare che sia corretto. La disattivazione non è possibile!

Controllo finale



Avvertenza. Verificare che durante il ribaltamento e la chiusura della barra essa non entri in collisione con il foro realizzato nel paraurti posteriore - vedere fig. 32. Se sì, adattare il foro.

- Eseguire una prova funzionale dell'organo di traino utilizzando un rimorchio o un tester.
- Verificare che la telecamera di parcheggio e i sensori di parcheggio (se in dotazione) funzionino correttamente.

INFÄLLBAR DRAGKROK

Tillbehörsprodukterna är avsedda för professionellt montage. Škoda Auto rekommenderar att montaget görs hos en avtalspartner.

Uppsättningen Dragkrok är avsedd för modellerna Superb (NZ) och Superb (NZ) PHEV som är förberedda för dragkrokar, se relevanta produktdatablad för fordonstillhörighet.

Innan själva monteringen av draganordningen, kontrollera alltid och bekanta dig med den information som anges i det aktuella produktbladet till den aktuella produkten!

I produktbladet finns information gällande:

- begränsningar för konkreta modeller och utrustningar under den aktuella tidsperioden
- nödvändigheten att efterbeställa extra delar i samband med montage av den aktuella produkten i bilen
- nödvändig nedmontering av vissa delar för konkreta motorvarianter och utrustningar



Varning. Underlåtenhet att respektera denna information kan leda till:

- allvarliga skador på bilen
- att det inte går att aktivera produkten
- att ombyggnaden inte godkänns av vederbörliga myndigheter
- förlust av garantin

För följder som uppstår genom att inte kontrollera produktbladet och underlåtenhet att följa anvisningarna som anges i det ansvarar person som utför konstruktionen för den aktuella produkten.



OBS. Kontrollera alltid de aktuella begränsningarna i motsvarande produktblad för draganordningen på portalerna B2B, ETKA och PLIM.

Anmärkning

Extra montage av dragkroken ställer ökade krav på bilens kylsystem.

Av denna anledning är det nödvändigt att byta ut en del av kylsystemet enligt den information som finns hos en servicetekniker vid en Škoda Auto-specialistservice.



OBS. Bilderna i bruksanvisningen tjänar som information till montaget.

I vissa detaljer kan det skilja sig från den aktuella bilens monteringspunkter (beroende på bilens utrustning)! I bruksanvisningen visas montage av den infällbara dragkroken på modellen Superb Limo (NZ3). Vid montage på modellen Superb Combi (NZ5) iaktta samma förfaringssätt.

De specifika monteringsstegen för montering exklusivt för Superb Limo (NZ3) eller exklusivt för Superb Combi (NZ5) visas och markeras med text i illustrationerna i handboken.

Bilder som inte är markerade på detta sätt gäller för båda versionerna av bilen (Limo och Combi).

Allmän information

Dragkroken för modellen Superb (NZ) är tillverkad i enlighet med godkänd dokumentation och motsvarar homologering.

Dragkrokens konstruktion uppfyller alla tjeckiska och internationella bestämmelser. Utrustningen har genomgått hållfasthetstester. Dragarmen är utrustad med en kulle med en diameter på 50 mm.

Uppsättningen för den infällbara dragkroken innehåller - bild 1

Delens namn	Antal	Position
Dragkrok med elinstallation	1	A
Skruvar	4	B
Styrenhet	1	C
Plastmuttrar	2	D
Brytare	1	E
Brytarkåpa	1	F
Plaststag	1	G
Monteringsanvisningar	1	

OBS

Vid montering av en dragkrok på en Superb Limo (NZ3), beställ enligt det aktuella erbjudandet från ŠKODA Originaltillbehör!

Kabelbunt för lossande av dragkroken **best. nummer 5E3 055 204A**

Uppsättningen innehåller:

- Elektriskt kablage	1	J
- Buntband	30	K
- Självhäftande skumtejp	5	L

Klistret (H) beställs i efterhand separat från katalogen reservdelar ETKA (Teroson 2444).

best. nummer D428000 M2

Vid montering av en dragkrok på en Superb Combi (NZ5), beställ enligt det aktuella erbjudandet från ŠKODA Originaltillbehör!

Kabelbunt för lossande av dragkroken **best. nummer 5E3 055 204A**

Uppsättningen innehåller:

- Elektriskt kablage	1	J
- Buntband	30	K
- Självhäftande skumtejp	5	L

Staget för bakre stötfångaren beställs i efterhand separat från reservdelskatalogen ETKA

best. nummer 3JO 807 863A

Lista på specialverktyg

Universalrengöringsmedel (rekommenderas TEROSTAT 8550)
Momentnyckel
Sandpapper (kornstorlek 80)

Monteringsförfarande

Koppla ur ackumulatorn under monteringen.

Vid nedmontering och återmontering av enskilda delar följ instruktionerna i Škodas Verkstadshandbok.

Bild 2

- Schema över placeringen av dragkroken med elinstallationen i bilen.

SV

Montera ned:

- bakre stötfångaren (stänkskydd om fordonet är utrustat med sådana)
- tvärbalk
- höger och vänster sidobeklädnad i bagageutrymmet
- ackumulator + ackumulatorhållare i bagageutrymmets vänstra bakre del (om det ingår i bilens utrustning)
- lossa takpanelens bakre del eller montera ner den helt och hållet



OBS. Om åtkomst till hålen för fäste av dragkroken på de bakre längsgående balkarna begränsas av vissa av fordonets delar (SCR, AKF, avgasrörets bakre del, avgasrörets värmeskydd), ska dessa delar lossas eller tas bort enligt verkstadshandboken.



OBS. När tvärbalken monterats ned, fyll på med rostskydd på punkterna där tvärbalken kommer i kontakt med karossen. Efter att ha behandlat karosseriet med korrosionsskydd, skruva tillbaka de borttagna skruvarna från tvärbalken enligt bild 3 och dra åt med åtdragningsmomentet μ 20 Nm. Utför tätning av dem enligt verkstadens möjligheter och praxis.

Bild 4

- Avlägsna blindpluggarna i öppningen för dragkrokens fäste på de bakre längsgående balkarna (på bägge sidor av fordonet). Behandla sedan området runt öppningarna med rostskyddsmedel på samma sätt som områdena på karossen efter nedmonteringen av tvärbalken.
- Vid behov, ta bort plastisoleringsdelarna inuti de längsgående balkarna.

Bild 5

- **Det här ingreppet kräver att två personer hjälps åt.**
- Skjut in dragkroken (A) genom de längsgående balkarna i öppningarna i fordonets bakre del och placera dem så att skruvaxlarna passerar ungefär i mitten av monteringshålerna i de längsgående balkarna.
- Skruva fast balkarna lätt med de fyra fästskruvarna (B) till fordonets chassi. Dra dragkroken bakåt.
- **Kontrollera dragkrokens läge och dra åt skruvarna med ett åtdragningsmoment på 55 Nm +180° -detalj- i angiven ordning (skruvarnas läge enligt färdriktningen):**
 1. höger bak
 2. höger fram
 3. vänster bak
 4. vänster fram



OBS. Vid nedmontering och återmontering av dragkroken ska fästskruvarna bytas ut mot nya.

Bild 6, 7

- Ta bort blindpluggen i bilens golv i öppningen för att dra igenom kabelbunten för dragkrokens elinstallation på vänster sida (i färdriktningen).
- Drag kabelbunten till plinten till dragkrokens elinstallation genom öppningen ända till bilens bagageutrymme.
- Placera kabelgenomföringen (ingår i dragkrokens elinstallation) i öppningen i golvet så att det inte uppstår något läckage in i bilen och kontrollera att den sitter på rätt plats!

Bild 8, 9

Anslutning och fästsättning av styrenheten (C).

- Placera styrenheten på fästtapparna på det bakre hjulhuset som på bilden och skruva fast dem med plastmuttrarna (D). Dra åt muttrarna med åtdragningsmomentet 1,5 Nm.
- Anslut kopplingsplinten till dragkrokens elinstallation (A) och anslut den till styrenheten (C).

Bild 10

- Beskrivning av fästandet av dragkrokens elektriska installation i bilens bagageutrymme.



OBS. Kontrollera visuellt att genomföringen för kabelbunten till dragkrokens elektriska installation (A) är korrekt placerad för att förhindra läckage in i fordonet -se pilen-

- Dra dragkrokens elektriska installation enligt bilden längs bagageutrymmets plåt till bakre hjulhuset ända till styrenheten.
- Fäst kabelbunten till bilens kaross med hjälp av klämmorna -se pilarna- (ingår i den elektriska installationens kabelbunt).

SV

Jordning

- Dra den bruna ledningens jordningsögla till jordningsskruven på hjulhuset och anslut den till jordningsskruven - se pilen -. Dra åt muttrarna med åtdragningsmomentet 8 Nm.

Kontrollera infästningen av hela kabelbunten till dragkrokens elinstallation. Den ska fästas på ett sådant sätt att den inte kan lossna eller skadas och så att inga oljud uppstår vid körning.

Bild 11

- Anslut den elektriska installationens kopplingsplint (J) som förbinder styrenheten med brytaren (E) och kopplingsplinten Škoda med styrenheten (C).

Dragningen av den elektriska installationen från styrenheten till brytaren för bilarna Superb Limo (NZ3)

Bild 12

- Dra den elektriska installationens kabelbunt (J) enligt bilden längs fordonets befintliga kabelbunt ovanför det bakre hjulhuset utmed C-stolpen ända upp till taket.
- Fäst buntens till bilens kabelbunt med buntbanden (K) -se pilarna-.

Bild 13

- Dra den elektriska installationen (J) i takets bakre del från vänster sida till höger sida ända till C-stolpen på höger sida längs fordonets befintliga kabelbunt.
- Fäst buntens till bilens befintliga kabelbunt med buntbanden (K) -se pilarna-. På platser där det inte är möjligt att fästa med buntbanden, använd 3x självhäftande skumtejp (L) se bilden. Om det är möjligt att fästa med buntband över hela takets bredd, fortsätt på samma sätt, se bild 16.

Bild 14

- Dra den elektriska installationen (J) från den högra C-stolpen mot bilens bakre del, se bilden.
- Fäst bunten till bilens befintliga kabelbunt med buntbanden (K) -se pilarna-. Linda den återstående delen av kabelbunten med nötningsbeständig tejp fram till kopplingsplinten.
- Vid den punkt där bunten gör över kanten till det ovala hålet, tejpa bunten med självhäftande skumtejp (L) -se detalj- och placera ytterligare en bit självhäftande skumtejp över bunten. Placera resten av bunten i hålet i plåten som på bilden.

Kontrollera infästningen av elinstallationens hela kabelbunt. Den ska vara fäst så att den inte kan lossna eller komma till skada och ska heller inte ge upphov till störande ljud under färden.

Dragningen av den elektriska installationen från styrenheten till brytaren för bilarna Superb Combi (NZ5)

Bild 15

- Dra den elektriska installationens kabelbunt (J) enligt bilden längs fordonets befintliga kabelbunt ovanför det bakre hjulhuset utmed D-stolpen ända upp till taket.
- Se noga till att bunten är dragen bakom plastförstärkningen, se bilden.
- Fäst bunten till bilens befintliga kabelbunt med buntbanden (K) -se pilarna-.

SV

Bild 16

- Dra den elektriska installationen (J) i takets bakre del från vänster sida till höger sida ända till D-stolpen på höger sida längs fordonets befintliga kabelbunt.
- Fäst bunten till bilens befintliga kabelbunt med buntbanden (K) -se pilarna-.
- Säkra den elektriska installationens kabelbunt med självhäftande skumtejp (L) mitt i taket, se bilderna.
- Om det inte är möjligt att fästa den elektriska installationens kabelbunt till den befintliga kabelbunten med buntband, använd självhäftande skumtejp och följ samma förfaringssätt, se bild 13.

Bild 17

- Dra den elektriska installationens kabelbunt (J) från den högra D-stolpen mot bilens bakre del, se bilden.
- Se noga till att bunten är dragen bakom plastförstärkningen, se bilden.
- Fäst bunten till bilens befintliga kabelbunt med buntbanden (K) -se pilarna-.
- Linda den återstående delen av kabelbunten med nötningsbeständig tejp fram till kopplingsplinten.

Kontrollera infästningen av elinstallationens hela kabelbunt. Den ska vara fäst så att den inte kan lossna eller komma till skada och ska heller inte ge upphov till störande ljud under färden.

Montering av brytare i bagageutrymmets högra sidobeklädnad för Superb Limo (NZ3)

Bild 18, 19

- Placera förstärkningen (G) på bakre sidan av bagageutrymmets sidobeklädnad i området som begränsas av fogarna.
- Markera med en lämplig tuschpenna stagets inre och yttre form på bagageutrymmets sidobeklädnad.
- Skär i enlighet med verkstadspraxis ut ett inre hål ur de icke-synliga delarna av bagageutrymmets inre beklädnad.



OBS. Var mycket försiktig och noggrann när du skär ut hålen. Var noga med precisionen, skäret får inte bli för långt.

- Kontrollera visuellt det utskurna hålets kvalitet.
- Vid behov av justering av felaktigheter, skär försiktigt med kniven och rengör eventuella grader med ett lämpligt verktyg.

SV



OBS. Öppningen får inte vara större än den ritade konturen på sidobeklädnaden.

Bild 20, 21

- Rugga upp ytan på stagens (G) baksida med sandpapper (kornstorlek 80).
- Rengör och avfetta sedan den ruggade ytan med ett rengöringsmedel (t.ex. Terostat 8550). Låt vädra i 10 minuter.



OBS. Den klistrade ytan ska vara helt rengjord från fett och övriga orenheter!

- Applicera klistret (H) på stagens rena yta och på den markerade ytan på bagageutrymmets sidobeklädnad. Låt vädra i ca. 10 min.

Bild 22

- Klistra fast förstärkningen på den avsedda platsen på bagageutrymmets sidobeklädnad och tryck fast över hela ytan.



OBS. Säkra förstärkningen med lämpliga klämmor så att förstärkningen pressas fast över hela sin yta mot bagageutrymmets beklädnad och låt den vara fixerad i åtminstone 1 timme.

Bild 23

- Klicka i strömbrytaren (E) i kåpan (F) enligt bilden så att alla 4 fikarna i brytarens kropp passar i de vederbörliga hålen i kåpan -se pilarna-.



OBS. Alla fikarna ska hörbart klicka i sina respektive hål på bägge sidorna av kåpan.

Bild 24

- Klicka fast kåpan med den påmonterade brytaren i öppningen i bagageutrymmets sidobeklädnad så att kåpans alla flikar är fästa bakom förstärkningen på sidobeklädnaden (se detalj). Vid behov är det möjligt att lyfta den en smula med hjälp av ett lämpligt verktyg tills den sitter på rätt plats.

Bild 25

- Till kopplingsplinten på brytaren i sidobeklädnadens panel i bagageutrymmet -se detalj- ansluts kabelbuntens kopplingsplint (J).



OBS. Se till att kabelbuntens till knappen inte dras över karosseriets kanter. Kabelbunt som är i närheten av dessa kanter kan eventuellt lindas in i nötningsbeständig tejp.

- Montera tillbaka alla nedmonterade delar och dra åt motsvarande anslutningar med de föreskrivna åtdragningsmomenten. Anslut ackumulatorn och utför alla ingrepp som hör samma med urkoppling och återanslutning av ackumulatorn.



OBS: Vid återmontering av bagageutrymmets högra beklädnad, se till att kabelbuntens inte kläms mellan sidobeklädnaden och bilens kaross. Om det inträffar, justera buntens placering.

SV

Montering av brytare i bagageutrymmets högra sidobeklädnad för Superb Combi (NZ5)

Bild 26, 27

- Ta av kåpan till öppningen för brytaren i bagageutrymmets sidobeklädnad.
- Klicka fast brytaren (E) i hålet i bagageluckans sidobeklädnad så att alla flikar på kåpan sitter fast. **Alla flikarna ska hörbart klicka i sina respektive hål på kåpan.**

Bild 28

- Till kopplingsplinten på brytaren i sidobeklädnadens panel i bagageutrymmet -se detalj- ansluts kabelbuntens kopplingsplint (J).



OBS. Se till att kabelbuntens till knappen inte dras över karosseriets kanter. Kabelbunt som är i närheten av dessa kanter kan eventuellt lindas in i nötningsbeständig tejp.

Bild 29

Byt ut stötfångarens befintliga fästlistor mot nya **best. nr. 3J0 807 863A:**

- Montera ned den elektriska installationens kopplingsplint från listan.
- Montera ned den befintliga listan.
- Sätt på den nya listan på samma plats och fäst den med 5 muttrar.
- Rikta in listan med den bakre kåpan och dra åt muttrarna med åtdragningsmomentet $\mu 2,5 \text{ Nm}$.
- Efter åtdragningen av muttrarna fäll ner listens centreringsflikar.
- Sätt tillbaka den elektriska installationens nedmonterade kopplingsplint.

Montera tillbaka alla nedmonterade delar och dra åt motsvarande anslutningar med de föreskrivna åtdragningsmomenten. Anslut ackumulatorn och utför alla ingrepp som hör samma med urkoppling och återanslutning av ackumulatorn.



OBS: Vid återmontering av bagageutrymmets högra beklädnad, se till att kabelbunten inte kläms mellan sidobeklädnaden och bilens kaross. Om det inträffar, justera buntens placering.

Aktivering av dragkroken

Bild 30



OBS. Innan aktiveringen kan påbörjas måste de två lösa kabelbuntarna anslutas med hjälp av kopplingsplintarna som finns i bilens främre del under passagerarsätets handskfack -detalj-.

Utan dess anslutning är aktiveringen inte möjlig.

Bilden visar anslutningen av kabelbunten för vänsterstyrning -se pilen-. Vid anslutning av kabelbunten hos högerstyrda fordon -se pilen- gör på samma sätt.

SV

Bild 31a, b



OBS. Om du utför installation av två och fler produkter från utbudet av Škodas originaldelar utrustade med styrenhet utför deras anslutning och aktivering stegvis. Om du utför aktivering av enheterna samtidigt är det inte säkert att de kommer att fungera som de ska (styrenhet, som inte är i processen aktivering får inte anslutas).

- Starta en ny diagnostisk session med ODIS-programmet.
- Välj fliken „Specialfunktioner“.
- Välj „Anpassa Mjukvaran.“
- Välj „SVM via åtgärdskod“.
- Mata in åtgärds-koden.
- Du hittar åtgärds-koden i ETKA-katalogen under artikelnumret på den specifika draganordningen
- Slutför diagnostiken på vanligt sätt.



Varning. Innan koden bekräftas kontrollera att den är korrekt. Inaktivering är inte möjlig!

Slutlig kontroll



Varning. Kontrollera att det vid infällning och utfällning av dragkroken inte inträffar någon kollision med de utskurna öppningarna i den bakre stötfångaren - se bild 32. Om så är fallet korrigerar den uppskurna öppningen.

- Utför ett funktionstest av draganordningen med en släpvagn eller en testenhets.
- Kontrollera att parkeringskameran och parkeringssensornerna fungerar som de ska (om bilen är utrustad med sådana).

ZWENKBARE TREKHAAKSET

De accessoires zijn bedoeld voor professionele montage. Škoda Auto raadt aan om de montage door een contractuele partner te laten uitvoeren.

Zwenkbare trekhaaksets zijn bedoeld voor de wagens Superb (NZ) en Superb (NZ) PHEV met een trekhaakvoorbereiding, voor toewijzing aan de specifieke wagens zie productbladen.

Controleer de trekhaakset altijd vóór de eigenlijke montage ervan en lees de informatie vermeld in het actuele productblad van het betreffende product goed door!

U vindt in het productblad informatie over:

- beperkingen voor specifieke wagens en uitrustingen in een bepaalde periode
- de noodzaak om extra onderdelen te bestellen die verband houden met de montage van het betreffende product in de wagen
- de noodzaak om sommige onderdelen van de wagen voor specifieke motoreenheden en uitrustingen te demonteren



Waarschuwing. Het negeren van deze informatie kan leiden tot:

- ernstige schade aan de wagen
- onmogelijkheid om het product te activeren
- onmogelijkheid van officiële goedkeuring van de gehele installatie
- verlies van garantie

De gevolgen van het niet controleren van het productblad en het niet-naleven van de daarin vermelde instructies, vallen onder de verantwoordelijkheid van degene die het product installeert.



Aandacht. Controleer altijd de geldende beperkingen in het betreffende productblad voor de gegeven trekhaakset op de B2B, ETKA of PLIM-portalen.

Opmerking

Het achteraf monteren van de trekhaak stelt hogere eisen aan het koelsysteem van de wagen. Om deze reden is het noodzakelijk een deel van het koelsysteem te vervangen op basis van de informatie die een servicemonteur in een gespecialiseerde werkplaats van Škoda Auto ter beschikking heeft.



Aandacht. De afbeeldingen in de handleiding dienen als algemene informatie voor de montage.

De montageplaatsen kunnen (afhankelijk van de uitrusting van de wagen) op detailniveau verschillen! In deze handleiding wordt de montage van de zwenkbare trekhaak voor de wagen Superb Limo (NZ3) beschreven. Volg dezelfde procedure voor de montage op de wagen Superb Combi (NZ5).

De specifieke montagestappen, die uitsluitend betrekking hebben op de montage voor de wagen Superb Limo (NZ3) of uitsluitend voor de wagen Superb Combi (NZ5), worden weergegeven en gemarkeerd met tekst in de afbeeldingen van de handleiding. De niet zodanig gemarkeerde afbeeldingen gelden voor beide versies van de wagen (Limo en Combi).

Algemene gegevens

De trekhaak voor de wagens Superb (NZ) is geproduceerd volgens de goedgekeurde documentatie en komt overeen met de homologatie.

De constructie van de trekhaak beantwoordt aan alle Tsjechische en internationale voorschriften. De trekhaak heeft de sterktetests doorstaan. De trekhaakarm is voorzien van een kogel met een diameter van 50 mm.

Zwenkbare trekhaakset bevat – afb. 1

Naam onderdeel	Aantal stuks	Positie
Koppelinrichting met elektrische installatie	1	A
Schroeven	4	B
Besturingseenheid	1	C
Kunststofmoer	2	D
Schakelaar	1	E
Schakelaarbehuizing	1	F
Kunststoffen versteviging	1	G
Montage handleiding	1	

Aandacht

Als u de trekhaak op de wagen Superb Limo (NZ3) monteert, moet u deze volgens het actuele aanbod van ŠKODA Originele accessoires bestellen!

De kabelbundel voor de ontgrendeling van de trekhaak **bestelnr. 5E3 055 204A**

De set bevat:

- Elektrische bundel	1	J
- Kabelbinder	30	K
- Schuimplakband	5	L

Bestel de lijm (H) afzonderlijk uit de catalogus van de reserveonderdelen ETKA (Teroson 2444). **bestelnr. D428000 M2**

Als u de trekhaak op de wagen Superb Combi (NZ5) monteert, moet u deze volgens het actuele aanbod van ŠKODA Originele accessoires bestellen!

De kabelbundel voor de ontgrendeling van de trekhaak **bestelnr. 5E3 055 204A**

De set bevat:

- Elektrische bundel	1	J
- Kabelbinder	30	K
- Schuimplakband	5	L

Bestel de versterking van de achterbumper apart volgens de catalogus van de reserveonderdelen ETKA **bestelnr. 3J0 807 863A**

Lijst van speciale gereedschappen

Universele reiniger (wij raden Terostat 8550 aan)
Momentsleutel
Schuurpapier (korrel 80)

Montagewerkwijze

Tijdens het inbouwen moet de accu losgekoppeld zijn.
Volg de instructies in het Škoda werkplaatshandboek voor demontage en montage van de verschillende onderdelen.

Afb. 2

- Schema van plaatsing van de zwenkbare trekhaak met de elektro-installatie in de wagen.

Demonteer:

- achterbumper (spatlappen indien aanwezig op de wagen)
- dwarsstuk
- linker en rechter zijbekleding in de bagageruimte
- accu + accuhouder in het linkerachterdeel van de bagageruimte (indien aanwezig in de uitrusting van de wagen)
- maak de achterkant van het plafondpaneel los of demonteer het hele paneel



Aandacht. In het geval dat de toegang tot de openingen voor de bevestiging van de trekhaak aan de achterste langsbalken, door sommige delen van de wagen beperkt wordt, (SCR-container, AKF, achterste uitlaatdeel, thermische uitlaatbescherming) dient u deze onderdelen los te maken of te verwijderen volgens het werkplaatshandboek.



Opgelet. Breng na demontage van het dwarsstuk, op de contactpunten van het dwarsstuk met de carrosserie, anticorrosiebescherming aan. Na behandeling van de carrosserie met anticorrosiebescherming, schroef de gedemonteerde schroeven van het dwarsstuk terug op de plaatsen, zoals getoond op de afbeelding 3, en draai ze vast met een aanhaalmoment van Mu 20 Nm. Dicht deze af afhankelijk van de service-mogelijkheden en -werkwijzen.

Afb. 4

- Verwijder de afdekkingen van de openingen voor de bevestiging van de trekhaak aan de achterste langsliggers (aan beide kanten van de wagen). Behandel vervolgens het oppervlak rond de openingen met een anticorrosiebescherming op dezelfde wijze als de plaatsen op de carrosserie na de demontage van het dwarsstuk.
- Verwijder indien nodig stukjes plastisol aan de binnenkant van de langsliggers.

Afb. 5

- **Voor deze operatie zijn twee personen nodig.**
- Schuif het trekhaakframe (A) met de overlangse dragers in de openingen aan de achterzijde van de wagen zodanig dat de schroeffassen ongeveer door het midden van de bevestigingsopeningen in de overlangse dragers gaan.
- Draai de overlangse dragers lichtjes vast aan het chassis van de wagen met behulp van de vier bevestigingsschroeven (B). Trek de trekhaak naar achteren.
- **Controleer de positie van de trekhaak en draai de schroeven vast met een aanhaalmoment van 55 Nm + 180° -detail- in volgorde (positie van de schroeven volgens de rijrichting):**
 1. rechtsachter
 2. rechtsvoor
 3. linksachter
 4. linksvoor



Opgelet. Bij een volgende demontage en montage van de trekhaak moeten de bevestigingsschroeven door nieuwe vervangen worden.

Afb. 6, 7

- Verwijder de afdekking van de opening in de vloer van de wagen om daar de elektrische draadbundel van de trekhaak aan de linkerkant doorheen te trekken (in de rijrichting).
- Trek de bundel met het aansluitblok van de trekhaak elektro-installatie door naar de bagageruimte van de wagen.
- Plaats de kabeldoorvoer (maakt deel uit van de trekhaak elektrische installatie) in de opening zodanig dat er geen lekkage in de wagen kan plaatsvinden, en controleer de juiste positie!

NL

Afb. 8, 9

Aansluiting en bevestiging van de besturingseenheid (C).

- Plaats de besturingseenheid op de tuckers op de achterwielafscherming volgens de afbeelding en schroef deze vast met behulp van de kunststofmoeren (D). Draai de moeren met 1,5 Nm vast.
- Sluit het aansluitblok van de elektrische draadbundel van de trekhaak (A) aan op de besturingseenheid (C).

Afb. 10

- Omschrijving van de bevestiging van de elektrische draadbundel van de trekhaak in de bagageruimte van de wagen.



Aandacht. Controleer visueel de juiste positionering van de kabeldoorvoer van de elektrische draadbundel van de trekhaak (A) om lekkage in de wagen te voorkomen -pijl-.

- Leid de elektrische draadbundel van de trekhaak zoals afgebeeld langs de bodemplaat van de bagageruimte naar de achterwielafscherming tot aan de besturingseenheid.
- Bevestig de elektrische draadbundel op de carrosserie van de wagen met de bevestigingsklemmen -pijl- (deze maken deel uit van de elektrische installatie).

Massa-aansluiting

- Leid het massaog van de bruine draad naar de massaschroef aan de wielafscherming en sluit deze aan op de massaschroef -pijl -. Draai de moer met 8 Nm vast.

NL

Controleer de bevestiging van de hele elektrische draadbundel van de trekhaak.

De hele draadbundel moet zodanig bevestigd zijn dat deze niet kan loskomen of worden beschadigd en er geen storende geluiden zijn tijdens het rijden.

Afb. 11

- Sluit het aansluitblok van de elektrische draadbundel (J) dat de besturingseenheid met de schakelaar (E) verbindt en de Škoda aansluitblokken in de besturingseenheid (C) aan.

Het leiden van de elektrische installatie van de besturingseenheid naar de schakelaar voor de wagens Superb Limo (NZ3)

Afb. 12

- Leid de elektrische draadbundel (J) volgens de afbeelding langs de bestaande draadbundel van de wagen, boven de achterwielafscherming, langs de C-stijl tot aan het plafond.
- Bevestig de elektrische draadbundel aan de draadbundel van de wagen met de kabelbinders (K) -pijl-.

Afb. 13

- Leid de elektrische draadbundel (J) in het achtergedeelte van het dak van de linkerkant naar de rechterkant tot aan de C-stijl aan de rechterkant, langs de bestaande draadbundel van de wagen.
- Bevestig de elektrische draadbundel aan de bestaande draadbundel van de wagen met de kabelbinders (K) -pijl-. Gebruik op plaatsen waar het niet mogelijk is om de bundel met kabelbinders te bevestigen, 3× een schuimplakband (L), zie afbeelding. Als de bevestiging met kabelbinders langs de hele breedte van het dak mogelijk is, volg dezelfde procedure, zie afb. 16.

Afb. 14

- Leid de elektrische draadbundel (J) van de rechter C-stijl naar de achterkant van de wagen, zie afbeelding.
- Bevestig de elektrische draadbundel aan de bestaande draadbundel van de wagen met de kabelbinders (K) -pijlen-. Wikkel het resterende deel van de bundel met een slijtvaste tape tot aan het aansluitblok.
- Op de plaats waar de bundel over de rand in de ovale opening komt, plak de bundel onderaan af met schuimplakband (L) -detail- en plak over de bundel zelf een andere schuimplakband. Plaats het resterende deel van de bundel in de opening in het plaatmetaal, volgens de afbeelding.

Controleer de bevestiging van de hele elektrische draadbundel. De draadbundel moet zodanig bevestigd zijn dat deze niet kan loskomen of worden beschadigd en er geen storende geluiden zijn tijdens het rijden.

Het leiden van de elektrische installatie van de besturingseenheid naar de schakelaar voor de wagens Superb Combi (NZ5)

Afb. 15

- Leid de elektrische draadbundel (J) volgens de afbeelding langs de bestaande draadbundel van de wagen, boven de achterwielafscherming, langs de D-stijl tot aan het plafond.
- Let erop dat de draadbundel achter de kunststof versteviging loopt, zie afbeelding.
- Bevestig de elektrische draadbundel aan de bestaande draadbundel van de wagen met de kabelbinders (K) -pijlen-.

NL

Afb. 16

- Leid de elektrische draadbundel (J) in het achtergedeelte van het dak van de linkerkant naar de rechterkant tot aan de D-stijl aan de rechterkant, langs de bestaande draadbundel van de wagen.
- Bevestig de elektrische draadbundel aan de bestaande draadbundel van de wagen met de kabelbinders (K) -pijlen-
- Gebruik de schuimplakband (L) om de elektrische draadbundel in het midden van het dak te bevestigen, zie afbeelding.
- Als het niet mogelijk is om de elektrische draadbundel met de kabelbinder aan de bestaande bundel te bevestigen, gebruik schuimplakband en volg dezelfde procedure, zie afb. 13.

Afb. 17

- Leid de elektrische draadbundel (J) van de rechter D-stijl naar de achterkant van de wagen, zie afbeelding.
- Let erop dat de draadbundel achter de kunststof versteviging loopt, zie afbeelding.
- Bevestig de elektrische draadbundel aan de bestaande draadbundel van de wagen met de kabelbinders (K) -pijlen-.
- Wikkel het resterende deel van de bundel met een slijtvaste tape tot aan het aansluitblok.

Controleer de bevestiging van de hele elektrische draadbundel. De draadbundel moet zodanig bevestigd zijn dat deze niet kan loskomen of worden beschadigd en er geen storende geluiden zijn tijdens het rijden.

Montage van de schakelaar in de bekleding van de rechterzijkant van de bagageruimte voor Superb Limo (NZ3)

Afb. 18, 19

- Plaats de versterking (G) aan de achterzijde van de zijbekleding van de bagageruimte op de plaats die wordt aangegeven door de profielen.
- Teken met een geschikte stift de binnenste en buitenste vorm van de versterking over op de zijbekleding van de bagageruimte.
- Snij volgens de gebruikelijke servicepraktijken met een geschikt instrument de binnenste opening van het niet-zichtbare deel van de bekleding van de bagageruimte uit.



Aandacht. Voer het uitsnijden van de opening met de grootste voorzichtigheid en zorgvuldigheid uit. Let op de precisie, de snede mag niet te ver gaan.

- Controleer visueel de kwaliteit van de uitgesneden opening.
- Werk de onnauwkeurigheden indien nodig bij met een mes voorzichtig en verwijder de bramen met een geschikt gereedschap.



Aandacht. De opening mag niet groter zijn dan de getekende omtrek op de zijbekleding.

NL

Afb. 20, 21

- Ruw het oppervlak aan de achterkant van de versterking (G) op met schuurpapier (korrel 80).
- Maak het geruwde oppervlak daarna schoon en ontvet het met een reinigingsmiddel (Terostat 8550). Laat 10 minuten drogen aan de lucht.



Aandacht. Het te lijmen oppervlak moet geheel ontdaan zijn van alle vetigheid en overige verontreinigingen!

- Breng lijm (H) aan op het gereinigde oppervlak van de versterking en het gemarkeerde gebied op de bekleding van de zijkant van de bagageruimte. Laat het geheel ca. 10 min drogen.

Afb. 22

- Lijm de versterking op de daarvoor bestemde plaats op de bekleding van de bagageruimte zijkant en druk hem zorgvuldig over het gehele oppervlak aan.



Aandacht. Bevestig de versterking met geschikte klemmen zodanig dat de versterking over het hele oppervlak tegen de bekleding van de bagageruimte vastzit en laat de versterking ten minste 1 uur fixeren.

Afb. 23

- Klik de schakelaar (E) volgens de afbeelding zodanig in de behuizing (F) dat alle 4 klikelementen van het schakelaarlichaam in de bijbehorende openingen van de behuizing vallen -pijlen-.



Aandacht. Alle klikelementen moeten hoorbaar in de bijbehorende openingen aan beide kanten van de behuizing vastklikken.

Afb. 24

- Klik de behuizing met de geplaatste schakelaar in de opening van de zijbekleding van de bagageruimte zodanig dat alle klikelementen worden vastgeklemd achter de versterking van de zijbekleding van de bagageruimte (detail). Til ze zo nodig met een geschikt middel voorzichtig op, totdat ze goed gepositioneerd zijn.

Afb. 25

- Sluit het aansluitblok van de bundel (J) aan op het aansluitblok van de schakelaar in het zijbekledingspaneel van de bagageruimte -detail-.



Opgelet. Let erop dat de bundel niet over de randen van de carrosserie naar de schakelaar wordt geleid.

Omwikkel indien nodig de bundel in de nabijheid van deze randen goed met slijtvaste tape.

- Monteer alle gedemonteerde onderdelen terug en draai de betreffende verbindingen aan met de voorgeschreven aanhaalmomenten. Sluit de accu aan en verricht alle handelingen die samengaan met het loskoppelen en opnieuw aansluiten van de accu.



Aandacht: Controleer bij de hermontage van de rechtse bekleding van de bagageruimte of de bundel niet wordt bekneld tussen de zijbekleding en de carrosserie van de wagen. Indien ja, pas de positie van de bundel aan.

Montage van de schakelaar in de bekleding van de rechterzijkant van de bagageruimte voor Superb Combi (NZ5)

NL

Afb. 26, 27

- Demonteer de afdekking van de opening voor de schakelaar in de zijbekleding van de bagageruimte.
- Klik de schakelaar (E) in de opening in de zijbekleding van de bagageruimte zodanig dat alle klikelementen van de schakelaar behuizing vastzitten.

Alle klikelementen moeten hoorbaar in de bijbehorende openingen vastklikken.

Afb. 28

- Sluit het aansluitblok van de bundel (J) aan op het aansluitblok van de schakelaar in het zijbekledingspaneel van de bagageruimte -detail-.



Opgelet. Let erop dat de bundel niet over de randen van de carrosserie naar de schakelaar wordt geleid.

Omwikkel indien nodig de bundel in de nabijheid van deze randen goed met slijtvaste tape.

Afb. 29

Vervang de bestaande montagerail van de achterbumper door een nieuwe, **bestelnr. 3JO 807 863A**:

- Verwijder de aansluitblokken van de elektrische installatie uit de rail.
- Demonteer de bestaande rail.
- Monteer een nieuwe rail op zijn plaats en bevestig deze met 5 moeren.
- Lijn de rail uit met de achterste afdekking en draai de moeren aan, Mu 2,5 Nm.
- Klap na het aandraaien van de moeren de centreerlipjes van de rail neer.
- Bevestig de gedemonteerde aansluitblokken van de elektrische installatie terug op de rail.

Monteer alle gedemonteerde onderdelen terug en draai de betreffende verbindingen aan met de voorgeschreven aanhaalmomenten. Sluit de accu aan en verricht alle handelingen die samengaan met het loskoppelen en opnieuw aansluiten van de accu.



Aandacht: Controleer bij de hermontage van de rechtse bekleding van de bagageruimte of de bundel niet wordt bekneld tussen de zijbekleding en de carrosserie van de wagen. Indien ja, pas de positie van de bundel aan.

Activering van de trekhaak

Afb. 30



Opgelet. Voordat u de trekhaak activeert, moet u de twee losse bundels verbinden met de aansluitblokken die u aan de voorkant van de binnenruimte van de wagen, onder het opbergvak aan de passagierskant, vindt -detail-. Zonder de doorverbinding ervan is geen activatie mogelijk.

De afbeelding toont de doorverbinding van de bundel bij linkse besturing -pijl-. Ga op dezelfde manier te werk voor de rechtse besturing -pijl- als u de bundels verbindt.

Afb. 31a, b

NL



Opmerking. Als u twee of meer producten uit de originele Škoda-uitrusting met een regeleenheid installeert, moet u ze achtereenvolgens aansluiten en activeren. Indien u de eenheden gelijktijdig activeert, is het mogelijk dat de activering niet correct werkt (een besturingseenheid die niet wordt geactiveerd, mag niet worden aangesloten).

- Start een nieuwe diagnostische sessie met behulp van het ODIS-programma.
- Selecteer het tabblad „Speciale functies“.
- Kies „Software aanpassen“
- Selecteer „SVM via maatregelcode“
- Maatregelcode ingeven.
- De maatregelcode vindt u in de ETKA-catalogus onder het onderdeelnummer van de specifieke trekhaak.
- Voer de diagnose op de gebruikelijke manier uit.



Opgelet. Controleer of de actiecode juist is voordat u deze bevestigt. Deactivering is niet mogelijk!

Eindcontrole



Opmerking. Controleer of het uitgesneden gat in de achterbumper niet botst tegen de arm wanneer de arm uit- en neergeklapt wordt. - zie afb. 32. Zo ja, pas het uitgesneden gat aan.

- Voer een functionele test van de trekhaak uit met een aanhangwagen of tester.
- Controleer of de parkeercamera en de parkeersensors (mits die deel uitmaken van de uitrusting van de wagen) foutloos werken.

HAK HOLOWNICZY SKŁADANY

Akcesoria są przeznaczone do specjalistycznego montażu. Škoda Auto rekomenduje montaż u autoryzowanych partnerów.

Zestawy holownicze są przeznaczone do pojazdów Superb (NZ) i Superb (NZ) PHEV przygotowanych pod montaż haka holowniczego, przyporządkowanie do pojazdów patrz odpowiednie karty produktowe.

Przed samym montażem haka holowniczego należy zawsze skontrolować i zapoznać się z informacjami podanymi w aktualnej karcie produktowej dla danego produktu!

W karcie produktowej można znaleźć informacje dotyczące:

- ograniczeń dla konkretnych pojazdów i wyposażenia w danym okresie czasu
- konieczności dodatkowego zamówienia części związanych z montażem danego produktu do pojazdu
- konieczności zdemontowania niektórych części pojazdu według konkretnego silnika i wyposażenia



Ostrzeżenie. Nieprzestrzeganie tych informacji może doprowadzić do:

- krytycznego uszkodzenia pojazdu
- niemożliwości aktywacji produktu
- niemożliwości urzędowego dopuszczenia całej zabudowy
- utraty gwarancji

Za następstwa nieskontrolowania karty produktowej i niedotrzymania podanych na niej zaleceń odpowiada podmiot przeprowadzający zabudowę danego produktu.



Uwaga. Należy zawsze skontrolować aktualne restrykcje na odpowiedniej karcie produktowej dla danego haka holowniczego na portalu B2B, ETKA lub PLIM.

Uwaga

Dodatkowy montaż haka holowniczego zwiększa obciążenie układu chłodzenia pojazdu.

W związku z tym konieczna jest wymiana części układu chłodzenia zgodnie z informacją dostępną u serwisanta w autoryzowanym serwisie Škoda Auto.



Uwaga. Ilustracje w instrukcji służą jako ogólne informacje dotyczące montażu.

W niektórych szczegółach mogą się różnić od miejsc montażowych danego pojazdu (w zależności od wersji wyposażenia pojazdu)! W instrukcji został zilustrowany montaż haka holowniczego składanego do pojazdu Superb Limo (NZ3). W przypadku montażu na pojeździe Superb Combi (NZ5) należy postępować w taki sam sposób. Konkretny kroki montażu, dotyczące montażu wyłącznie na pojeździe Superb Limo (NZ3) lub wyłącznie na pojeździe Superb Combi (NZ5) zostały zilustrowane i opatrzone tekstem na rysunkach w instrukcji.

Rysunki nie oznaczone w ten sposób obowiązują dla obu wersji pojazdu (Limo i Combi).

Dane ogólne

Hak holowniczy do pojazdów Superb (NZ) został wyprodukowany zgodnie z zatwierdzoną dokumentacją i odpowiada homologacji.

Konstrukcja haka holowniczego spełnia wymagania wszystkich czeskich i międzynarodowych przepisów. Urządzenie zostało poddane próbom wytrzymałościowym. Hak holowniczy jest zakończony kulą o średnicy 50 mm.

Komplet haka holowniczego składanego zawiera - rys. 1

Nazwa części	Sztuk	Pozycja
Urządzenie holownicze z okablowaniem	1	A
Śruby	4	B
Jednostka sterująca	1	C
Plastikowa nakrętka	2	D
Włącznik	1	E
Osłona włącznika	1	F
Plastikowe wzmocnienie	1	G
Instrukcja montażowa	1	

Uwaga

W przypadku instalacji urządzenia składanego na pojazd Superb Limo (NZ3) należy dodatkowo zamówić według aktualnej oferty Oryginalne akcesoria ŠKODA!

Wiązka kabli do odbezpieczenia urządzenia składanego **nr zamówieniowy 5E3 055 204A**

Zestaw zawiera:

- Wiązka kabli	1	J
- Pasek zaciskowy	30	K
- Piankowa taśma samoprzylepna	5	L

Klej (H) należy zamówić dodatkowo samodzielnie z katalogu części zamiennych ETKA (Teroson 2444).

nr zamówieniowy D428000 M2

W przypadku instalacji urządzenia sprzęgającego na pojazd Superb Combi (NZ5) należy dodatkowo zamówić według aktualnej oferty Oryginalne akcesoria ŠKODA!

Wiązka kabli do odbezpieczenia urządzenia składanego **nr zamówieniowy 5E3 055 204A**

Zestaw zawiera:

- Wiązka kabli	1	J
- Pasek zaciskowy	30	K
- Piankowa taśma samoprzylepna	5	L

Wzmocnienie zderzaka tylnego należy zamówić dodatkowo samodzielnie z katalogu części zamiennych ETKA

nr zamówieniowy 3J0 807 863A

Wykaz specjalnych narzędzi

Uniwersalny środek czyszczący (zalecamy Terostat 8550)

Klucz dynamometryczny

Papier ścierny (ziarnistość 80)

Sposób montażu

Podczas montażu musi być odłączony akumulator.

Podczas demontażu i ponownego montażu poszczególnych części należy postępować według wskazówek podanych w Podręczniku warsztatowym Škoda.

Rys. 2

- Schemat umieszczenia urządzenia składanego z instalacją elektryczną w pojeździe.

Zdemontować:

- zderzak tylny (fartuchy, o ile są na pojeździe),
- poprzecznice
- prawą i lewą boczną wykładzinę bagażnika
- akumulator + uchwyt akumulatora w lewej tylnej części bagażnika (o ile jest na wyposażeniu pojazdu)
- uwolnić tylną część panelu sufitu lub cały zdemontować



Uwaga. Jeżeli dostęp do otworów do umocowania haka holowniczego na tylnych podłużnicach jest ograniczony przez inne elementy pojazdu (zbiornik SCR, AKF, tylna część układu wydechowego, ochrona cieplna układu wydechowego), należy te elementy zgodnie z instrukcją warsztatową poluzować lub zdemontować.



Uwaga. Po demontażu poprzecznic uzupełnić w miejscach kontaktu poprzecznic z karoserią ochronę antykorozyjną. Po wykonaniu ochrony antykorozyjnej karoserii przykręcić zdemontowane śruby z poprzecznic z powrotem na miejsce według rysunku 3 i dokręcić momentem M_u 20 Nm. Przeprowadzić ich uszczelnienie według możliwości i sposobów przyjętych w warsztacie.

Rys. 4

- Należy zerwać zaślepki otworów do mocowania haka holowniczego na tylnych podłużnicach (obie strony pojazdu). Powierzchnię wokół otworów zabezpieczyć przeciwko korozji w taki sam sposób, jak miejsca na karoserii po demontażu poprzeczki.
- W razie potrzeby należy usunąć części plastizolu wewnątrz podłużnic.

Rys. 5

- **Do tej operacji są potrzebni dwaj pracownicy.**
- Nośnik haka holowniczego (A) należy wsunąć przy pomocy podłużnych nośników do otworów w tylnym elemencie pojazdu i ustawić go tak, aby osie śrub przechodziły w przybliżeniu przez środki otworów do mocowania w podłużnicach.
- Lekko przykręcić nośniki za pomocą czterech śrub mocujących (B) do podwozia pojazdu. Należy pociągnąć hak holowniczy do tyłu.
- **Skontrolować pozycję haka holowniczego i dokręcić śruby momentem 55 Nm + 180° - detal - w kolejności (pozycja śrub w kierunku jazdy):**
 1. prawa tylna
 2. prawa przednia
 3. lewa tylna
 4. lewa przednia



Uwaga. W razie następnego ewentualnego demontażu i montażu haka holowniczego jest konieczna wymiana śrub mocujących na nowe.

Rys. 6, 7

- Należy wyjąć zaślepkę otworu w podłodze pojazdu w celu przyciągnięcia wiązki instalacji elektrycznej haka holowniczego po lewej stronie (w kierunku jazdy).
- Następnie przyciągnąć przez otwór wiązki ze złączem instalacji elektrycznej haka holowniczego do bagażnika pojazdu.
- Następnie zainstalować przepust (jest częścią instalacji elektrycznej haka holowniczego) do otworu w podłodze pojazdu tak, aby nie dochodziło do przeciekania pojazdu i skontrolować jego prawidłowe umieszczenie!

Rys. 8, 9

Podłączenie i umocowanie jednostki sterującej (C).

- Jednostkę sterującą należy ustawić na śrubach na osłonie tylnego koła zgodnie z rysunkiem i przykręcić ją z pomocą plastikowych nakrętek (D). Nakrętki dokręcić momentem 1,5 Nm.
- Następnie należy podłączyć złącze wiązki instalacji elektrycznej haka holowniczego (A) do jednostki sterującej (C).

Rys. 10

- Opis mocowania wiązki instalacji elektrycznej haka holowniczego w bagażniku pojazdu.



Uwaga. Należy skontrolować wizualnie prawidłowe ustawienie przepustu wiązki instalacji elektrycznej haka holowniczego (A), aby nie dochodziło do przeciekania pojazdu -strzałka-.

- Wiązkę instalacji elektrycznej haka holowniczego należy poprowadzić zgodnie z rysunkiem przez blachę podłogi bagażnika do osłony tylnego koła aż do jednostki sterującej.
- Następnie umocować wiązkę do karoserii pojazdu z pomocą uchwytów -strzałki- (są częścią wiązki instalacji elektrycznej).

Uziemienie

- Ucho uziemienia brązowego przewodu należy poprowadzić do śruby uziemiającej na osłonie koła, podłączyć je do śruby masy -strzałka-. Nakrętkę dokręcić momentem 8 Nm.

Należy sprawdzić umocowanie całej wiązki instalacji elektrycznej haka holowniczego. Musi być umocowana tak, aby nie mogło dojść do jej poluzowania, ew. uszkodzenia, a podczas jazdy nie powstawały niepożądane dźwięki.

PL

Rys. 11

- Złącze wiązki instalacji elektrycznej (J) do połączenia jednostki sterującej z wyłącznikiem (E) i wiązki Škoda należy podłączyć do jednostki sterującej (C).

Prowadzenie instalacji elektrycznej od jednostki sterującej do wyłącznika w pojazdach Superb Limo (NZ3)

Rys. 12

- Wiązkę instalacji elektrycznej (J) należy prowadzić zgodnie z rysunkiem wzdłuż istniejącej wiązki instalacji pojazdu nad osłoną tylnego koła po słupku C aż do sufitu.
- Następnie należy przymocować wiązkę do wiązki pojazdu z pomocą opasek zaciskowych (K) -strzałki-.

Rys. 13

- Wiązkę instalacji elektrycznej (J) należy poprowadzić w tylnej części dachu z lewej strony na prawą stronę aż do słupka C po prawej stronie wzdłuż istniejącej wiązki instalacji pojazdu.
- Wiązkę należy przymocować do istniejącej wiązki pojazdu za pomocą opasek zaciskowych (K) -strzałki-. W miejscach, gdzie nie jest możliwe mocowanie opaskami zaciskowymi, należy użyć 3x piankowej taśmy samoprzylepnej (L) patrz rysunek. Jeżeli mocowanie opaskami zaciskowymi jest możliwe na całej szerokości dachu, należy postępować podobnie patrz rys. 16.

Rys. 14

- Wiązkę instalacji elektrycznej (J) należy poprowadzić od prawego słupka C w stronę tylnej części pojazdu patrz rysunek.
- Wiązkę należy przymocować do istniejącej wiązki pojazdu za pomocą opasek zaciskowych (K) -strzałki-. Pozostałą część wiązki owinąć taśmą odporną na ścieranie aż do złącza.
- W miejscu, gdzie wiązka wchodzi przez krawędź do owalnego otworu, należy okleić wiązkę piankową taśmą samoprzylepną (L) -detal- i przez wiązkę umieścić następną piankową taśmę samoprzylepną. Pozostałą część wiązki należy umieścić w otworze blachy według rysunku.

Należy skontrolować przymocowanie całej wiązki instalacji elektrycznej. Musi być przymocowana tak, aby nie mogło dojść do jej poluzowania, ew. uszkodzenia, a podczas jazdy nie powstawały niepożądane dźwięki.

Prowadzenie instalacji elektrycznej od jednostki sterującej do włącznika w pojazdach Superb Combi (NZ5)

Rys. 15

- Wiązkę instalacji elektrycznej (J) należy poprowadzić zgodnie z rysunkiem wzdłuż istniejącej wiązki instalacji pojazdu nad osłoną tylnego koła po słupku D aż do sufitu.
- Należy uważać, aby wiązka prowadziła za plastikowym wzmocnieniem patrz rysunek.
- Wiązkę należy przymocować do istniejącej wiązki pojazdu za pomocą opasek zaciskowych (K) -strzałki-.

Rys. 16

- Wiązkę instalacji elektrycznej (J) należy poprowadzić w tylnej części dachu z lewej strony na prawą stronę aż do słupka D po prawej stronie wzdłuż istniejącej wiązki instalacji pojazdu.
- Wiązkę należy przymocować do istniejącej wiązki pojazdu za pomocą opasek zaciskowych (K) -strzałki-.
- Piankową taśmą samoprzylepną (L) należy zabezpieczyć wiązkę instalacji elektrycznej pośrodku dachu patrz rysunek.
- Jeżeli nie jest możliwe przymocowanie wiązki instalacji elektrycznej przy pomocy opaski zaciskowej do istniejącej wiązki, należy użyć piankowej taśmy samoprzylepnej i postępować podobnie patrz rys. 13.

Rys. 17

- Wiązkę instalacji elektrycznej (J) należy poprowadzić od prawego słupka D w stronę tylnej części pojazdu patrz rysunek.
- Należy uważać, aby wiązka prowadziła za plastikowym wzmocnieniem patrz rysunek.
- Wiązkę należy przymocować do istniejącej wiązki pojazdu za pomocą opasek zaciskowych (K) -strzałki-.
- Pozostałą część wiązki owinąć taśmą odporną na ścieranie aż do złącza.

Należy skontrolować przymocowanie całej wiązki instalacji elektrycznej. Musi być przymocowana tak, aby nie mogło dojść do jej poluzowania, ew. uszkodzenia, a podczas jazdy nie powstawały niepożądane dźwięki.

Włożenie włącznika do prawej bocznej okładziny bagażnika dla Superb Limo (NZ3)

Rys. 18, 19

- Wzmocnienie (G) ustawić na tylną stronę okładziny bocznej bagażnika w przestrzeni ograniczonej wytłoczeniami.
- Odpowiednim pisakiem należy obrysować zewnętrzny i wewnętrzny kształt wzmocnienia na okładzinie bocznej bagażnika.
- W sposób przyjęty w warsztacie wyciąć odpowiednim narzędziem wewnętrzny otwór z nielicowej części okładziny wewnętrznej bagażnika.



Uwaga. Podczas wycinania otworu postępować z zachowaniem maksymalnej ostrożności i staranności. Należy dbać o dokładność, nie może dojść do przekroczenia wyznaczonej linii cięcia.

- Należy skontrolować wzrokowo jakość wyciętego otworu.
- W razie potrzeby niedokładności ostrożnie dociąć nożem a wystrzępienia usunąć odpowiednim narzędziem.



Uwaga. Otwór nie może być większy niż narysowany obrys na okładzinie bocznej.

Rys. 20, 21

PL

- Powierzchnię tylnej strony wzmocnienia (G) należy zeszlifować papierem ściernym (ziarnistość 80).
- Chropowatą powierzchnię następnie oczyścić czyszczaczem (np. Terostat 8550). Pozostawić do wyschnięcia na ok. 10 minut.



Uwaga. Klejona powierzchnia usztywnienia musi być całkowicie odtuszczona i oczyszczona z wszystkich innych zanieczyszczeń!

- Na oczyszczoną powierzchnię wzmocnienia i oznaczoną powierzchnię na okładzinie bocznej bagażnika należy nanieść klej (H). Pozostawić ok. 10 min do wyschnięcia.

Rys. 22

- Nalepić usztywnienie w wyznaczonym miejscu na okładzinie bocznej bagażnika i starannie docisnąć na całej powierzchni.



Uwaga. Wzmocnienie należy zabezpieczyć odpowiednimi zaciskami tak, aby doszło do dociśnięcia wzmocnienia na całej jego powierzchni do okładziny bagażnika i zostawić umocowane minimalnie 1 godzinę.

Rys. 23

- Następnie należy docisnąć włącznik (E) do odpowiedniej obudowy (F) według rysunku tak, aby wszystkie 4 zatrzaski korpusu włącznika zapadły do odpowiednich otworów w obudowie -strzałki-.



Uwaga. Wszystkie zatrzaski muszą słyszalnie zatrzasnąć się w odpowiednich otworach na obu stronach obudowy.

Rys. 24

- Następnie należy wcisnąć obudowę z zamontowanym włącznikiem do otworu w okładzinie bocznej bagażnika tak, aby wszystkie zatrzaski obudowy były zaczepione za wzmocnienie na okładzinie bocznej (detal). W razie potrzeby ostrożnie podnieść z pomocą odpowiedniego narzędzia, aby doszło do ich prawidłowego ustawienia.

Rys. 25

- Do złącza na włączniku na panelu okładziny bocznej bagażnika -detal- należy podłączyć odpowiednie złącze wiązki (J).



Uwaga. Należy zadbać o to, aby wiązka była prowadzona do przycisku poza krawędziami karoserii.

Wiązkę w pobliżu tych krawędzi można ewentualnie dodatkowo owinąć taśmą odporną na ścieranie.

- Następnie zamontować z powrotem wszystkie zdemonstrowane części i odpowiednie połączenia dokręcić właściwym momentem. Podłączyć akumulator i wykonać wszystkie czynności związane z odłączeniem i ponownym podłączeniem akumulatora.



Uwaga: Podczas ponownego montażu prawej okładziny bagażnika należy skontrolować, czy wiązka nie jest zaciśnięta między okładziną boczną i karoserią pojazdu. Jeżeli tak, należy poprawić pozycję wiązki.

Instalacja włącznika do prawej okładziny bocznej bagażnika dla Superb Combi (NZ5)

PL

Rys. 26, 27

- Najpierw należy zdemonstrować zaślepkę otworu na włącznik w okładzinie bocznej bagażnika.
- Następnie wcisnąć włącznik (E) do otworu w okładzinie bocznej bagażnika tak, aby wszystkie zatrzaski były osadzone.

Wszystkie zatrzaski muszą słyszalnie zatrzaskać się w odpowiednich otworach.

Rys. 28

- Do złącza na włączniku na panelu okładziny bocznej bagażnika -detal- należy podłączyć odpowiednie złącze wiązki (J).



Uwaga. Należy zadbać o to, aby wiązka była prowadzona do przycisku poza krawędziami karoserii.

Wiązkę w pobliżu tych krawędzi można ewentualnie dodatkowo owinąć taśmą odporną na ścieranie.

Rys. 29

Przeprowadzić wymianę istniejącej listwy mocującej tylnego zderzaka na nową nr zam. **3J0 807 863A**:

- Należy zdemonstrować złącza instalacji elektrycznej z listwy.
- Następnie zdemonstrować dotychczasową listwę.
- Na jej miejsce umieścić nową listwę i umocować ją 5 nakrętkami.
- Wyrównać listwę z tylnymi drzwiami i dokręcić nakrętki, Mu 2,5 Nm.
- Po dokręceniu nakrętek złożyć wypustki centrujące listwy.
- Następnie należy umocować na listwie z powrotem zdemonstrowane złącza instalacji elektrycznej.

Następnie zamontować z powrotem wszystkie zdemontowane części i odpowiednie połączenia dokręcić właściwym momentem. Podłączyć akumulator i wykonać wszystkie czynności związane z odłączeniem i ponownym podłączeniem akumulatora.



Uwaga: Podczas ponownego montażu prawej okładziny bagażnika należy skontrolować, czy wiązka nie jest zaciśnięta między okładziną boczną i karoserią pojazdu. Jeżeli tak, należy poprawić pozycję wiązki.

Aktywacja haka holowniczego

Rys. 30



Uwaga. Przed początkiem aktywacji należy połączyć dwie wolne wiązki złączami, które znajdują się w przedniej części pojazdu pod schowkiem pasażera -detail-.

Bez ich połączenia aktywacja nie jest możliwa.

Na rysunku jest przedstawione połączenie wiązki w pojeździe z kierownicą po lewej stronie -strzałka-. W celu połączenia wiązki w pojeździe z kierownicą po prawej stronie -strzałka- należy postępować w analogiczny sposób.

Rys. 31a, b



Uwaga. W razie przeprowadzania instalacji dwóch i więcej produktów ze Škoda oryginalnych akcesoria wyposażonych w jednostkę sterującą przeprowadzać ich podłączenie i aktywację kolejno.

W razie jednoczesnego przeprowadzenia aktywacji jednostek aktywacja nie musi działać prawidłowo (jednostka sterująca, która nie jest w procesie aktywacji, nie może być podłączona).

PL

- Rozpocznij nową sesję diagnostyczną za pomocą programu ODIS.
- Wybierz zakładkę „Funkcje specjalne”.
- Wybierz „Dopasować oprogramowanie”.
- Wybierz „SVM przez kod czynności”.
- Wprowadzić kod czynności.
- Kod czynności można znaleźć w katalogu ETKA pod numerem części konkretnego urządzenia holowniczego.
- Zakończ diagnostykę w zwykły sposób.



Uwaga. Przed potwierdzeniem kodu czynności upewnić się, że jest prawidłowy. Deaktywacja nie jest możliwa!

Końcowa Inspekcja



Uwaga. Sprawdzić, czy podczas rozkładania i składania haka nie dochodzi do kolizji z wyciętym otworem w tylnym zderzaku- patrz rys. 32. Jeżeli tak, należy poprawić wycięty otwór.

- Przeprowadzić próbę działania urządzenia sprzęgającego z pomocą przyczepty lub testera.
- Sprawdzić prawidłowe działanie kamery cofania i czujników parkowania (o ile są w wyposażeniu pojazdu).

ŤAŽNÉ ZARIADENIE SKLOPNÉ

Produkty príslušenstva sú určené na odbornú montáž. Škoda Auto odporúča zveriť montáž zmluvným partnerom.

Súpravy Ťažného zariadenia sú určené pre vozidlá Superb (NZ) a Superb (NZ) PHEV s prípravou na ťažné zariadenie, priradenie k vozidlám – pozri príslušné produktové listy.

Pred samotnou montážou ťažného zariadenia vždy skontrolujte informácie uvedené v aktuálnom produktovom liste k danému produktu a oboznámte sa s nimi!

V produktovom liste nájdete informácie týkajúce sa:

- obmedzení pre konkrétne vozidlá a výbavy v danom časovom období,
- nutnosti doobjednania dodatočných dielov spojených s montážou daného produktu do vozidla,
- potrebné demontáže niektorých dielcov vozidla pre konkrétne motorizácie a výbavy.



Varovanie. Nerešpektovanie týchto informácií môže viesť:

- ku kritickému poškodeniu vozidla,
- k nemožnosti aktivácie produktu,
- nemožnosti úradného schválenia celej zástavby,
- strate záruky.

Za následky vzniknuté neoverením v produktovom liste a nedodržaním pokynov v ňom uvedených zodpovedá subjekt uskutočňujúci zástavbu daného produktu.



Upozornenie. Vždy overte aktuálne reštrikcie v zodpovedajúcom produktovom liste k danému ťažnému zariadeniu na portáli B2B, ETKA alebo PLIM.

Poznámka

Dodatočná montáž ťažného zariadenia kladie zvýšené nároky na chladiaci systém vozidla. Preto je nevyhnutná výmena časti chladiaceho systému podľa informácie uloženej u servisného technika v odbornom servise Škoda Auto.



Upozornenie. Obrázky v návode slúžia ako všeobecná informácia na montáž.

V niektorých detailoch sa môžu od montážnych miest daného vozidla líšiť (podľa výbavy vozidla)! V návode je zobrazená montáž ťažného zariadenia sklopného na vozidlo Superb Limo (NZ3). Pri montáži na vozidlo Superb Combi (NZ5) postupujte obdobným spôsobom.

Konkrétne kroky montáže týkajúce sa montáže výhradne pre vozidlo Superb Limo (NZ3) alebo výhradne pre vozidlo Superb Combi (NZ5) sú zobrazené a označené textom v obrázkoch návodu.

Obrázky takto neoznačené platia pre oba varianty vozidla (Limo aj Combi).

Všeobecné údaje

Ťažné zariadenie pre vozidlá Superb (NZ) je vyrobené podľa schválenej dokumentácie a zodpovedá homologizácii.

Konštrukcia ťažného zariadenia zodpovedá všetkým českým aj medzinárodným predpisom. Zariadenie prešlo pevnosťnými skúškami. Ťažné rameno je vybavené guľovým čapom s priemerom 50 mm.

SK

Súprava ťažného zariadenia sklopného obsahuje – obr. 1

Názov dielu	Kusov	Pozícia
Ťažné zariadenie s elektroinštaláciou	1	A
Skrutky	4	B
Riadiaca jednotka	1	C
Plastová matica	2	D
Spínač	1	E
Krytka spínača	1	F
Plastová výstuž	1	G
Montážny návod	1	

Upozornenie

V prípade inštalácie ťažného zariadenia na vozidlo Superb Limo (NZ3) doobjednajte podľa aktuálnej ponuky ŠKODA Originálneho príslušenstva!

Káblový zväzok na odistenie ťažného zariadenia **objed. číslo 5E3 055 204A**

Súprava obsahuje:

- Elektrický zväzok	1	J
- Sťahovacia páska	30	K
- Molitanová lepiaca páska	5	L

Lepidlo (H) doobjednajte samostatne z katalógu náhradných dielov ETKA (Teroson 2444).

objed. číslo D428000 M2

V prípade inštalácie ťažného zariadenia na vozidlo Superb Combi (NZ5) doobjednajte podľa aktuálnej ponuky ŠKODA Originálneho príslušenstva!

Káblový zväzok na odistenie ťažného zariadenia **objed. číslo 5E3 055 204A**

Súprava obsahuje:

- Elektrický zväzok	1	J
- Sťahovacia páska	30	K
- Molitanová lepiaca páska	5	L

Výstuž zadného nárazníka doobjednajte samostatne z katalógu náhradných dielov ETKA

objed. číslo 3J0 807 863A

Zoznam špeciálneho náradia

Univerzálny čistič (odporúčame Terostat 8550)

Momentový kľúč

Brúsny papier (zrניות 80)

Postup montáže

Počas montáže majte odpojený akumulátor.

Pri demontáži a spätnej montáži jednotlivých dielov postupujte podľa pokynov v Dielenskej príručke Škoda.

Obr. 2

- Schéma umiestnenia ťažného zariadenia sklopného s elektroinštaláciou vo vozidle.

Demontujte:

- zadný nárazník (lapače nečistôt, ak sú na vozidle),
- priečnik,
- pravú a ľavú bočnú výplň v batožinovom priestore,
- akumulátor + držiak akumulátora v ľavej zadnej časti batožinového priestoru (ak je súčasťou výbavy vozidla),
- uvoľnite zadnú časť panela stropu alebo ho celý demontujte.



Upozornenie. V prípade, že prístup k otvorom na uchytenie ťažného zariadenia na zadných pozdĺžnikoch obmedzujú niektoré diely vozidla (nádobka SCR, AKF, zadný diel výfuku, tepelná ochrana výfuku), tieto diely podľa dielenskej príručky uvoľnite alebo demontujte.



Pozor. Po demontáži priečnika doplňte na miestach kontaktu priečnika s karosériou antikoróznou ochranu. Po ošetroení karosérie antikoróznou ochranou naskrutkujte demontované skrutky z priečnika späť na miesta podľa obrázka 3 a utiahnite ťahovacím momentom M_u 20 Nm. Dotesnite ich podľa servisných možností a zvyklostí.

Obr. 4

- Strhnite záslepky otvorov na uchytenie ťažného zariadenia na zadných pozdĺžnikoch (obe strany vozidla). Plochu okolo otvorov potom ošetríte antikoróznou ochranou rovnakým spôsobom ako miesta na karosérii po demontáži priečnika.
- V prípade potreby odstráňte časti plastizolu vnútri pozdĺžnikov.

Obr. 5

- Táto operácia si vyžaduje dvoch pracovníkov.
- Nosník ťažného zariadenia (A) nasuňte pozdĺžnymi nosníkmi do otvorov na zadnom čele vozidla a umiestnite ho tak, aby osi skrutiek prechádzali približne stredmi upevňovacích otvorov v pozdĺžnikoch.
- Nosníky mierne priskrutkujte pomocou štyroch upevňovacích skrutiek (B) k podvozku vozidla. Ťažné zariadenie zatiahnite dozadu.
- Skontrolujte polohu ťažného zariadenia a skrutky dotiahnite ťahovacím momentom $55 \text{ Nm} + 180^\circ$ -detail- v poradí (poloha skrutiek podľa smeru jazdy):
 1. pravý zadný
 2. pravý predný
 3. ľavý zadný
 4. ľavý predný



Pozor. Pri ďalšej prípadnej demontáži a montáži ťažného zariadenia je nutné vymeniť upevňovacie skrutky za nové.

Obr. 6, 7

- Odstráňte záslepku otvoru v podlahe vozidla na pretiahnutie zväzku elektrickej inštalácie ťažného zariadenia na ľavej strane (v smere jazdy).
- Otvorom pretiahnite zväzok so svorkovnicou elektrickej inštalácie ťažného zariadenia do batožinového priestoru vozidla.
- Osadte priechodku (je súčasťou elektrickej inštalácie ťažného zariadenia) do otvoru v podlahe vozidla tak, aby nedochádzalo k zatekaniu do vozidla, a skontrolujte jej správne umiestnenie!

SK

Obr. 8, 9

Zapojenie a upevnenie riadiacej jednotky (C).

- Riadiacu jednotku umiestnite na tukry na kryte zadného kolesa podľa obrázka a priskrutkujte ju plastovými maticami (D). Matice dotiahnite uťahovacím momentom 1,5 Nm.
- Svorkovnicu zväzku elektrickej inštalácie ťažného zariadenia (A) zapojte do riadiacej jednotky (C).

Obr. 10

- Opis uchytenia zväzku elektrickej inštalácie ťažného zariadenia v batožinovom priestore vozidla.



Upozornenie. Vizuálne skontrolujte správne umiestnenie priechodky zväzku elektrickej inštalácie ťažného zariadenia (A), aby ste zabránili zatekaniu do vozidla -šípka-.

- Zväzok elektrickej inštalácie ťažného zariadenia vedte podľa obrázka po plechu podlahy batožinového priestoru ku krytu zadného kolesa až k riadiacej jednotke.
- Zväzok pripevnite ku karosérii vozidla pomocou príchytiak -šípky- (sú súčasťou zväzku elektrickej inštalácie).

Ukostrenie

- Kostriace oko hnedého vodiča vedte ku kostriacej skrutke na kryte kolesa, pripojte ich na kostriacu skrutku -šípka-. Maticu dotiahnite uťahovacím momentom 8 Nm.

Skontrolujte prichytenie celého zväzku elektrickej inštalácie ťažného zariadenia. Musí byť upevnený tak, aby sa nemohol uvoľniť ani poškodiť a aby sa počas jazdy zabránilo vzniku rušivých zvukov.

SK

Obr. 11

- Svorkovnicu zväzku elektrickej inštalácie (J), ktorá prepája riadiacu jednotku so spínačom (E), a svorkovnice Škoda zapojte do riadiacej jednotky (C).

Vedenie elektroinštalácie od riadiacej jednotky ku spínaču pre vozidlá Superb Limo (NZ3)

Obr. 12

- Zväzok elektrickej inštalácie (J) vedte podľa obrázka pozdĺž existujúceho zväzku inštalácie vozidla nad krytom zadného kolesa po C stĺpiku až k stropu.
- Zväzok pripevnite ku zväzku vozidla pomocou sťahovacích pásovk (K) -šípky-.

Obr. 13

- Zväzok elektrickej inštalácie (J) vedte v zadnej časti strechy z ľavej strany na pravú stranu až k C stĺpiku na pravej strane pozdĺž existujúceho zväzku inštalácie vozidla.
- Zväzok pripevnite k existujúcemu zväzku pomocou sťahovacích pásovk (K) -šípky-. Na miestach, kde nie je možnosť uchytenia sťahovacími páskami, použite 3x molitanovú lepiacu pásku (L) – pozri obrázok. Ak je uchytenie sťahovacími páskami možné po celej šírke strechy, postupujte obdobne – pozri obr. 16.

Obr. 14

- Zväzok elektrickej inštalácie (J) vedte od pravého C stĺpika smerom k zadnej časti vozidla – pozri obrázok.
- Zväzok pripevnite k existujúcemu zväzku pomocou stahovacích pásov (K) -šípky-. Zostávajúcu časť zväzku omotajte oteruvzdornou páskou až ku svorkovnici.
- Na mieste, kde zväzok vstupuje cez hranu do oválneho otvoru, podlepte zväzok molitanovou lepiacou páskou (L) -detail- a cez zväzok umiestnite ďalšiu molitanovú lepiacu pásku. Zvyšnú časť zväzku umiestnite do otvoru v plechu podľa obrázka.

Skontrolujte prichytenie celého zväzku elektrickej inštalácie. Musí byť upevnený tak, aby sa nemohol uvoľniť ani poškodiť a aby sa počas jazdy zabránilo vzniku rušivých zvukov.

Vedenie elektroinštalácie od riadiacej jednotky ku spínaču pre vozidlá Superb Combi (NZ5)

Obr. 15

- Zväzok elektrickej inštalácie (J) vedte podľa obrázka pozdĺž existujúceho zväzku inštalácie vozidla nad krytom zadného kolesa po D stĺpiku až k stropu.
- Dajte pozor, aby zväzok viedol za plastovou výstužou – pozri obrázok.
- Zväzok pripevnite k existujúcemu zväzku pomocou stahovacích pásov (K) -šípky-.

Obr. 16

- Zväzok elektrickej inštalácie (J) vedte v zadnej časti strechy z ľavej strany na pravú stranu až k D stĺpiku na pravej strane pozdĺž existujúceho zväzku inštalácie vozidla.
- Zväzok pripevnite k existujúcemu zväzku pomocou stahovacích pásov (K) -šípky-
- Molitanovou lepiacou páskou (L) zaistíte zväzok elektrickej inštalácie v strede strechy – pozri obrázok.
- V prípade, že nie je možnosť uchytenia zväzku elektrickej inštalácie stahovacou páskou k existujúcemu zväzku, použite molitanovú lepiacu pásku a postupujte obdobne – pozri obr. 13.

Obr. 17

- Zväzok elektrickej inštalácie (J) vedte od pravého D stĺpika smerom k zadnej časti vozidla – pozri obrázok.
- Dajte pozor, aby zväzok viedol za plastovou výstužou – pozri obrázok.
- Zväzok pripevnite k existujúcemu zväzku pomocou stahovacích pásov (K) -šípky-.
- Zostávajúcu časť zväzku omotajte oteruvzdornou páskou až ku svorkovnici.

Skontrolujte prichytenie celého zväzku elektrickej inštalácie. Musí byť upevnený tak, aby sa nemohol uvoľniť ani poškodiť a aby sa počas jazdy zabránilo vzniku rušivých zvukov.

SK

Nasadenie spínača do pravého bočného obloženia batožinového priestoru pre Superb Limo (NZ3)

Obr. 18, 19

- Výstuž (G) umiestnite na zadnú stranu bočného obloženia batožinového priestoru do oblasti vymedzenej prelismi.
- Vhodnou fixkou obkreslite vonkajší aj vnútorný tvar výstuže na bočné obloženie batožinového priestoru.
- Podľa zvyklostí servisu vyrežte vhodným nástrojom vnútorný otvor z nepohľadovej časti obloženia batožinového priestoru.



Upozornenie. Pri rezaní otvoru postupujte s maximálnou opatrnosťou a dôkladnosťou. Dbajte na presnosť, nesmie dôjsť k pretiahnutiu rezu.

- Vizuálne skontrolujte kvalitu vyrezaného otvoru.
- V prípade potreby nepresnosti opatrne dorežte nožom a ostriny začistite vhodným nástrojom.



Upozornenie. Otvor nesmie byť väčší, než je nakreslený obrys na bočnom obložení.

Obr. 20, 21

- Plochu zadnej strany výstuže (G) zdrsňte brúsnyim papierom (zrornosť 80).
- Zdrsnenú plochu potom očistite a odmastite čističom (napr. Terostat 8550). Nechajte 10 minút odvetrať.



Upozornenie. Lepená plocha výstuže musí byť úplne zbavená mastnoty a všetkých ostatných nečistôt!

- Na očistenú plochu výstuže a označenú plochu na bočnom obložení batožinového priestoru naneste lepidlo (H). Nechajte cca 10 min odvetrať.

Obr. 22

- Výstuž nalepte na určené miesto na bočnom obložení batožinového priestoru a dôkladne pritlačte po celej ploche.



Upozornenie. Výstuž zaistite vhodnými svorkami tak, aby sa po celej ploche pritlačila na obloženie batožinového priestoru, a nechajte ju zafixovanú minimálne 1 hodinu.

Obr. 23

- Spínač (E) navaknite do krytky (F) podľa obrázka tak, aby všetky 4 zácvaky telesa spínača zapadli do príslušných otvorov v krytke -šípky-.



Upozornenie. Všetky zácvaky musia do príslušných otvorov na oboch stranách krytky počuteľne zacvaknúť.

Obr. 24

- Nacvaknite krytku s nasadeným spínačom do otvoru v bočnom obložení batožinového priestoru tak, aby boli všetky zácvaky krytky zaaretované za výstuž na bočnom obložení (detail). V prípade potreby ich pomocou vhodného nástroja opatrne nadvihnite, až dôjde k ich správne umiestneniu.

Obr. 25

- Do svorkovnice na spínači v paneli bočného obloženia batožinového priestoru -detail- zapojte svorkovnicu zväzku (J).



Pozor. Dbajte na to, aby zväzok k tlačidlu viedol mimo hrany karosérie.

Zväzok v blízkosti týchto hrán prípadne dostatočne omotajte oteruvzdornou páskou.

- Namontujte späť všetky demontované dielce a príslušné spoje utiahnite predpísanými ťahovacími momentmi. Pripojte akumulátor a urobte všetky úkony súvisiace s odpojením a opätovným pripojením akumulátora.



Upozornenie: Pri spätnej montáži pravého obloženia batožinového priestoru skontrolujte, či nie je zväzok pritlačený medzi bočné obloženie a karosériu vozidla. Ak áno, upravte polohu zväzku.

Nasadenie spínača do pravého bočného obloženia batožinového priestoru pre Superb Combi (NZ5)

Obr. 26, 27

- Demontujte krytku otvoru pre spínač v bočnom obložení batožinového priestoru.
- Nacvaknite spínač (E) do otvoru v bočnom obložení batožinového priestoru tak, aby boli všetky zácvaky krytky zaaretované.

Všetky zácvaky musia do príslušných otvorov počutelne zacvaknúť.

Obr. 28

- Do svorkovnice na spínači v paneli bočného obloženia batožinového priestoru -detail- zapojte svorkovnicu zväzku (J).



Pozor. Dbajte na to, aby zväzok k tlačidlu viedol mimo hrany karosérie.

Zväzok v blízkosti týchto hrán prípadne dostatočne omotajte oteruvzdornou páskou.

Obr. 29

Vymeňte existujúcu upevňovaciu lištu zadného nárazníka za novú s **obj. č. 3JO 807 863A**:

- Demontujte svorkovnice elektroinštalácie z lišty.
- Demontujte existujúcu lištu.
- Na jej miesto nasadte novú lištu a pripevnite ju 5 maticami.
- Lištu zlíčujte so zadným vekom a matice dotiahnite, Mu 2,5 Nm.
- Po dotiahnutí matic sklopte centrovacie jazýčky lišty.
- Na lištu uchyťte späť demontované svorkovnice elektroinštalácie.

SK

Namontujte späť všetky demontované dielce a príslušné spoje utiahnite predpísanými ťahovacími momentmi. Pripojte akumulátor a urobte všetky úkony súvisiace s odpojením a opätovným pripojením akumulátora.



Upozornenie: Pri spätnej montáži pravého obloženia batožinového priestoru skontrolujte, či nie je zväzok pritlačený medzi bočné obloženie a karosériu vozidla. Ak áno, upravte polohu zväzku.

Aktivácia ťažného zariadenia

Obr. 30



Pozor. Pred začiatkom aktivácie sa musia prepojiť dva voľné zväzky svorkovnicami, ktoré nájdete v prednej časti vozidla pod schránkou spolujazdca -detail-. Bez ich prepojenia nie je aktivácia možná. Na obrázku je znázornené prepojenie zväzku na ľavostrannom riadení -šípka-. Pri prepojení zväzku pri pravostrannom riadení -šípka- postupujte obdobným spôsobom.

Obr. 31a, b



Upozornenie. Ak inštalujete dva a viacero produktov z portfólia Škoda originálne príslušenstvo, vybavených riadiacou jednotkou, zapájajte a aktivujte ich postupne. Ak jednotky aktivujete naraz, nemusí aktivácia fungovať správne (riadiaca jednotka, ktorá nie je v procese aktivácie, sa nesmie pripojiť).

- Spustíte novú diagnostickú reláciu pomocou programu ODIS.
- Zvoľte záložku „Osobitné funkcie“
- Zvoľte „Prispôsobenie softvéru“
- Zvoľte „Aktualizácia softvéru pomocou kódu opatrenia“
- Zadajte kód opatrenia
- Kód opatrenia nájdete v katalógu ETKA pri čísle dielu konkrétneho ťažného zariadenia.
- Diagnostiku dokončíte obvyklým spôsobom.



Pozor. Pred potvrdením kódu opatrenia sa ubezpečte o jeho správnosti. Deaktivácia nie je možná!

Záverečná kontrola



Upozornenie. Skontrolujte, či pri vyklápaní a sklápaní ramena nenastáva kolízia s vyrezaným otvorom v zadnom nárazníku – pozri obr. 32. Ak áno, vyrezaný otvor upravte

- Vykonajte funkčnú skúšku ťažného zariadenia pomocou prívěsu alebo testera.
- Overte bezchybnú funkciu parkovacej kamery a parkovacích senzorov (ak sú vo výbave vozidla).

ТЯГОВО-СЦЕПНОЕ УСТРОЙСТВО – ОТКИДНОЕ

Принадлежности предназначены для установки квалифицированным специалистом. Škoda Auto рекомендует проводить установку этих изделий у договорных партнеров по сервису.

Комплекты Тягово-сцепного устройства предназначены для автомобилей Superb (NZ) и Superb (NZ) PHEV с подготовкой под тягово-сцепное устройство, см. соответствующие технические характеристики автомобиля.

Перед самой установкой тягово-сцепного устройства всегда проверяйте его комплектность и ознакомьтесь с информацией, приведенной в действительном техническом паспорте на данное изделие!

В техническом паспорте представлена следующая информация:

- об ограничениях для конкретных транспортных средств и оснащения в определенный период времени;
- о необходимости заказа дополнительных запчастей, связанных с установкой данного изделия на автомобиль;
- о необходимой разборке некоторых частей транспортного средства для конкретных двигателей и оснащения



Предостережение. Несоблюдение данных указаний может привести к данным последствиям:

- критическому повреждению транспортного средства,
- невозможности активировать устройство,
- невозможности получения официального согласования всей установки,
- потере гарантии.

Лицо, устанавливающее данное изделие, отвечает за последствия, возникшие в результате пренебрежения содержанием технического паспорта изделия и несоблюдения приведенных в нем инструкций.



Предупреждение. Всегда проверяйте действующие ограничения, указанные в соответствующем техническом паспорте данного тягово-сцепного устройства на порталах B2B, ETKA и PLIM.

Примечание

Дополнительный монтаж тягово-сцепного устройства предъявляет повышенные требования к системе охлаждения автомобиля.

По этой причине необходимо заменить часть системы охлаждения в соответствии с информацией, имеющейся у сервисного техника специализированной сервисной мастерской Škoda Auto.



Предупреждение. Рисунки в руководстве по эксплуатации служат в качестве общей информации по установке изделия.

Эти изображения могут отличаться некоторыми деталями от мест установки на данном автомобиле (в зависимости от оснащения автомобиля)! В руководстве показана установка складного тягово-сцепного устройства на автомобиль Superb Limo (NZ3). Выполните аналогичную процедуру при установке устройства на автомобиль Superb Combi (NZ5).

Конкретные шаги по установке, касающиеся только автомобиля Superb Limo (NZ3) или только автомобиля Superb Combi (NZ5), показаны и обозначены текстом на иллюстрациях в руководстве.

Изображения, не отмеченные как таковые, относятся к обеим версиям автомобиля (Limo и Combi).

Данные общего характера

Тягово-сцепное устройство для автомобилей Superb (NZ) изготовлено согласно одобренной документации и соответствует гомологации.

RU

Конструкция тягово-цепного устройства соответствует всем чешским и международным предписаниям. Тягово-цепное устройство прошло испытания на прочность. Крюк тягово-цепного устройства снабжен цепным шаром диаметром 50 мм.

Содержание комплекта откидного тягово-цепного устройства – рис. 1

Название детали	Кол-во	Позиция
Тягово-цепное устройство с электрооборудованием	1	A
Болты	4	B
Блок управления	1	C
Пластмассовая гайка	2	D
Выключатель	1	E
Крышка выключателя	1	F
Пластмассовая армирующая накладка	1	G
Руководство по монтажу	1	

Предупреждение

При установке тягово-цепного устройства на Superb Limo (NZ3) сделайте дополнительный заказ согласно предложению Оригинальных принадлежностей ŠKODA!

Пучок проводов для разблокировки тягово-цепного устройства

номер для заказа: 5E3 055 204A

Комплект содержит:

- Пучок эл. проводов
- Стягивающая лента
- Полиуретановая клейкая лента

1	J
30	K
5	L

Клей (H) заказывайте отдельно по каталогу запасных частей ЕТКА (Teroson 2444).

номер для заказа: D428000 M2

При установке тягово-цепного устройства на Superb Combi (NZ5) сделайте дополнительный заказ согласно предложению Оригинальных принадлежностей ŠKODA!

Пучок проводов для разблокировки тягово-цепного устройства

номер для заказа: 5E3 055 204A

Комплект содержит:

- Пучок эл. проводов
- Стягивающая лента
- Полиуретановая клейкая лента

1	J
30	K
5	L

Закажите арматуру заднего бампера отдельно по каталогу запасных частей ЕТКА

номер для заказа: 3J0 807 863A

Перечень специального инструмента

Универсальное чистящее средство (рекомендуем Terostat 8550)

Динамометрический ключ

Наждачная бумага (зернистость 80)

Процедура установки

Во время монтажа аккумуляторная батарея автомобиля должна быть отсоединена.

При снятии и обратной установке деталей действуйте согласно указаниям «Руководства по техническому обслуживанию и ремонту Skoda».

Рис. 2

- Схема расположения тягово-цепного устройства с электропроводкой на автомобиле.

Демонтируйте:

- задний бампер (брызговики при их наличии),
- поперечину,
- правую и левую боковую обшивку багажника,
- аккумулятор + держатель аккумулятора в левой задней части багажного отделения (при наличии),
- освободите заднюю часть потолочной панели или демонтируйте всю панель.



Предупреждение. Если доступ к отверстиям крепления тягово-сцепного устройства на задних продольных профилях ограничен некоторыми деталями автомобиля (емкость SCR, ACE, Задняя секция выхлопной трубы, тепловая защита выхлопной трубы), ослабьте или снимите эти детали в соответствии с Руководством по техническому обслуживанию и ремонту.



Внимание! После снятия поперечины дополните антикоррозийную защиту в точках контакта поперечины с кузовом. После обработки кузова антикоррозийной защитой отвинченные винты поперечины завинтите обратно, как показано на рисунке 3, и затяните их с моментом 20 Нм. Уплотните их в соответствии с возможностями и практикой сервисного обслуживания.

Рис. 4

- Извлеките заглушки из отверстий для крепления тягово-сцепного устройства на задних лонжеронах (с обеих сторон автомобиля). На поверхность вокруг отверстий нанесите антикоррозийную защиту таким же образом, как и на места на кузове после снятия поперечины.
- При необходимости удалите части пластика внутри лонжеронов.

Рис. 5

- Эту операцию необходимо выполнять вдвоем.
- Вставьте несущий элемент тягово-сцепного устройства (А) в отверстия на заднем торце автомобиля и установите устройство таким образом, чтобы оси болтов находились примерно по центру крепежных отверстий в продольных профилях.
- Несущий элемент слегка привинтите четырьмя крепежными болтами (В) к шасси автомобиля. Тягово-сцепное устройство потяните назад.
- Проверьте положение тягово-сцепного устройства и затяните болты с моментом затяжки 55 Нм + 180° -деталь- в следующей очередности (положение болтов в направлении движения):
 1. правый задний,
 2. правый передний,
 3. левый задний,
 4. левый передний.



Внимание! При дальнейшем возможном снятии и обратной установке тягово-сцепного устройства крепежные болты необходимо заменить новыми.

Рис. 6, 7

- Снимите заглушку отверстия в полу автомобиля с левой стороны (в направлении движения) для продевания через это отверстие жгута проводов тягово-сцепного устройства.
- Через отверстие пропустите в багажник автомобиля жгут проводов с клеммными колодками электрооборудования тягово-сцепного устройства.
- Установите проходной изолятор (входит в комплект электрооборудования тягово-сцепного устройства) в отверстие в полу автомобиля таким образом, чтобы вода снаружи не затекала внутрь багажника, проверьте правильность установки изолятора!

RU

Рис. 8, 9

Подключение и крепление блока управления (С).

- Установите блок управления на контрдетали на крышке заднего колеса, как показано на рисунке, и привинтите его пластмассовыми гайками (D). Гайки затяните моментом затяжки 1,5 Нм
- Подключите клеммную колодку жгута проводов тягово-сцепного устройства (А) к блоку управления (С).

Рис. 10

- Описание крепления жгута проводов тягово-сцепного устройства в багажном отделении автомобиля.



Предупреждение. Визуально проверьте правильность расположения изолятора жгута проводов тягово-сцепного устройства (А), чтобы предотвратить затекание воды в автомобиль -стрелка-.

- Проложите жгут проводов тягово-сцепного устройства, как показано на рисунке, по панели пола багажника к крышке заднего колеса и к блоку управления.
- Закрепите жгут проводов на кузове автомобиля с помощью зажимов -стрелки-(входят в комплект жгута проводов).

Заземление

- Заземляющее ушко коричневого провода подведите к болту заземления на крышке колеса и присоедините ушко к болту заземления -стрелка-. Затяните гайку моментом затяжки 8 Нм.

Проверьте крепление всего жгута проводов тягово-сцепного устройства. Жгут должен быть закреплен таким образом, чтобы он не освободился и не повредился, а также чтобы во время движения автомобиля не возникало посторонних шумов.

Рис. 11

- Присоедините клеммную колодку жгута проводов (J), соединяющую блок управления с выключателем (E), а также клеммную колодку Škoda с блоком управления (С).

RU

Проводка от блока управления к выключателю автомобиля Superb Limo (NZ3)

Рис. 12

- Проложите жгут проводов (J), как показано на рисунке, вдоль уже имеющегося жгута проводов автомобиля над крышкой заднего колеса по стойке С к потолку.
- Жгут прикрепите к уже имеющемуся жгуту с помощью стягивающих лент (К) -стрелки-.

Рис. 13

- Проложите жгут проводов (J) в задней части крыши с левой стороны на правую сторону к стойке С с правой стороны вдоль уже существующего жгута проводов автомобиля.
- Жгут прикрепите к уже имеющемуся жгуту с помощью стягивающих лент (К) -стрелки-. В местах, где нет возможности закрепления стягивающей лентой, используйте 3 приклеивания поролоновой клеевой лентой (L), см. рисунок. Если крепление с помощью стягивающей ленты возможно по всей ширине крыши, действуйте аналогичным образом, см. рис. 16.

Рис. 14

- Проложите жгут проводов (J) от правой стойки С в сторону задней части автомобиля, см. рисунок.
- Жгут прикрепите к уже имеющемуся жгуту с помощью стягивающих лент (К) -стрелки-. Обмотайте оставшуюся часть жгута износостойкой лентой до клеммной колодки.
- В месте, где жгут входит в овальное отверстие через край, закрепите жгут поролоновой клейкой лентой (L) -деталь- и наклейте еще одну поролоновую клейкую ленту поверх жгута. Вставьте оставшуюся часть жгута в отверстие в металлическом листе, как показано на рисунке.

Проверьте крепление всего жгута проводов тягово-сцепного устройства. Жгут должен быть закреплен таким образом, чтобы он не освободился и не повредился, а также чтобы во время движения автомобиля не возникало посторонних шумов.

Проводка от блока управления к выключателю автомобиля Superb Combi (NZ5)

Рис. 15

- Проложите жгут проводов (J), как показано на рисунке, вдоль уже имеющегося жгута проводов автомобиля над крышкой заднего колеса по стойке D к потолку.
- Следите за тем, чтобы жгут вышел за пределы пластмассовой армирующей накладки, см. рисунок.
- Жгут прикрепите к уже имеющемуся жгуту с помощью стягивающих лент (К) -стрелки-.

Рис. 16

- Проложите жгут проводов (J) в задней части крыши с левой стороны на правую сторону к стойке D с правой стороны вдоль уже существующего жгута проводов автомобиля.
- Жгут прикрепите к уже имеющемуся жгуту с помощью стягивающих лент (К) -стрелки-
- Закрепите жгут проводов в центре крыши с помощью поролоновой клейкой ленты (L), см. рисунок.
- Если невозможно прикрепить жгут проводов к существующему жгуту с помощью стягивающей ленты, используйте поролоновую клейкую ленту и выполните ту же процедуру, см. рис. 13.

Рис. 17

- Проложите жгут проводов (J) от правой стойки D в сторону задней части автомобиля, см. рисунок.
- Следите за тем, чтобы жгут вышел за пределы пластмассовой армирующей накладки, см. рисунок.
- Жгут прикрепите к уже имеющемуся жгуту с помощью стягивающих лент (К) -стрелки-.
- Обмотайте оставшуюся часть жгута износостойкой лентой до клеммной колодки.

Проверьте крепление всего жгута проводов тягово-сцепного устройства. Жгут должен быть закреплен таким образом, чтобы он не освободился и не повредился, а также чтобы во время движения автомобиля не возникало посторонних шумов.

RU

Установка выключателя на правой боковой обшивке багажника на автомобиле Superb Limo (NZ3)

Рис. 18, 19

- Установите пластмассовую армирующую накладку (G) на задней части боковой обшивки багажного отделения в зоне, ограниченной углублениями.
- Подходящим маркером обведите на боковой обшивке внешний и внутренний контуры армирующей накладки в багажнике.
- Посредством применяемой в сервисном центре методики со стороны невидимой части внутренней обшивки багажника вырежьте соответствующим инструментом внутреннее отверстие.



Предупреждение. Вырежьте отверстие в максимальной степени тщательно и как можно осторожнее. Делайте это как можно точнее – прорезь не должна выходить за обозначенную границу.

- Визуально проверьте качество вырезанного отверстия.
- При необходимости имеющиеся неровности осторожно обрежьте ножом и удалите заусенцы соответствующим инструментом.



Предупреждение. Отверстие не должно быть больше начерченного на боковой обшивке контура.

Рис. 20, 21

- Поверхность задней стороны армирующей накладки (G) зачистите наждачной бумагой (зернистость 80).
- Зачищенную поверхность очистите и обезжирьте при помощи чистящего средства (например, Terostat 8550). Оставьте на 10 минут для высыхания.



Предупреждение. Склеиваемые поверхности должны быть полностью обезжирены и очищены от любого другого загрязнения!

- На очищенную поверхность накладки и обозначенную поверхность боковой обшивки багажника нанесите клей (H). Оставьте на 10 минут для высыхания.

Рис. 22

- Наклейте армирующую накладку на определенное место на боковой обшивке багажника и тщательно придавите накладку к обшивке.



Предупреждение. Накладку прижмите соответствующими скобами так, чтобы она была прижата по всей ее площади к обшивке багажника, и оставьте ее в зафиксированном виде как минимум на 1 час.

Рис. 23

- Установите выключатель (E), защелкнув его на корпусе (F), как это показано на рисунке, чтобы все 4 защелкивающиеся держателя корпуса выключателя вошли в соответствующие отверстия в крышке -стрелки-.



Предупреждение. При вставке держателей в соответствующие отверстия с обеих сторон крышки должен быть явно слышен щелчок.

Рис. 24

- Вставьте крышку с уже помещенным в нее выключателем (чтобы раздался щелчок) в отверстие в боковой обшивке багажника таким образом, чтобы все защелки его крышки зафиксировались в армирующей накладке, приклеенной к боковой обшивке (деталь). При необходимости осторожно приподнимите эти защелки соответствующим инструментом, чтобы они заняли требуемое положение.

Рис. 25

- Подключите соответствующую клеммную колодку жгута проводов (J) автомобиля к клеммной колодке на выключателе на панели в боковой обшивке багажного отделения -деталь-.



Внимание! Следите за тем, чтобы жгут проводов шел к кнопке без соприкосновения с кромками кузова. Расположенный вблизи кромки кузова жгут проводов надежно обмотайте износостойкой лентой.

- Установите обратно все демонтированные детали и затяните соответствующие соединения с предписанными моментами затяжки. Присоедините аккумулятор и проведите все операции, связанные с отсоединением и повторным присоединением аккумулятора.



Предупреждение: При обратной установке правой обшивки багажного отделения убедитесь в том, что жгут проводов не зажат между боковой обшивкой и кузовом автомобиля. Если зажат, то поменяйте положение жгута.

Установка выключателя на правой боковой обшивке багажника автомобиля Superb Combi (NZ5)

Рис. 26, 27

- Снимите крышку отверстия для выключателя в боковой обшивке багажного отделения.
 - Вставьте выключатель (E) в отверстие в боковой обшивке багажника таким образом, чтобы все защелки его крышки зафиксировались в армирующей накладке.
- При вставке каждого держателя в соответствующее отверстие должен быть явно слышен щелчок.**

RU

Рис. 28

- Подключите соответствующую клеммную колодку жгута проводов (J) автомобиля к клеммной колодке на выключателе на панели в боковой обшивке багажного отделения -деталь-.



Внимание! Следите за тем, чтобы жгут проводов шел к кнопке без соприкосновения с кромками кузова. Расположенный вблизи кромки кузова жгут проводов надежно обмотайте износостойкой лентой.

Рис. 29

Замените имеющуюся крепежную планку заднего бампера на новую, номер для заказа **3J0 807 863A**:

- Отсоедините клеммные колодки электропроводки от планки.
- Снимите имеющуюся планку.
- Установите на ее место новую планку и закрепите ее 5 гайками.
- Выровняйте планку по задней крышке и затяните гайки с моментом 2,5 Нм.
- После затяжки гаек откиньте центрирующие выступы планки.
- Прикрепите демонтированные клеммные колодки обратно к планке.

Установите обратно все демонтированные детали и затяните соответствующие соединения с предписанными моментами затяжки. Присоедините аккумулятор и проведите все операции, связанные с отсоединением и повторным присоединением аккумулятора.



Предупреждение: При обратной установке правой обшивки багажного отделения убедитесь в том, что жгут проводов не зажат между боковой обшивкой и кузовом автомобиля. Если зажат, то поменяйте положение жгута.

Активация тягово-сцепного устройства

Рис. 30



Внимание! Перед началом активации необходимо соединить два свободных пучка проводов с помощью клеммных колодок, расположенных в передней части автомобиля под пассажирским перчаточным ящиком -деталь-. Без их подключения активация невозможна.

На рисунке показано подключение пучка проводов при левостороннем управлении -стрелка-. При подключении пучка проводов при правостороннем управлении -стрелка- выполните аналогичную процедуру.

Рис. 31a, b



Предупреждение. Если вы устанавливаете два или более изделий из ассортимента Оригинальных принадлежностей Skoda, оснащенных блоком управления, подключайте и активируйте их поэтапно. Если вы активируете устройства одновременно, активация может пройти неправильно (нельзя подключать блок управления, который не находится в процессе активации).

- Начать новый сеанс диагностики с помощью программы ODIS.
- Выберите вкладку «Специальные функции».
- Выберите «Адаптировать ПО».
- Выберите «Система учёта обновлений ПО через код SVM».
- Ввести код SVM
- Код SVM можно найти в каталоге ЕТКА под номером детали конкретного буксирного устройства.
- Завершите диагностику обычным способом.



Внимание! Перед подтверждением кода убедитесь в его правильности. Деактивация невозможна!

Заключительная проверка



Предупреждение. Убедитесь в том, что при установке крюка и его откидывании края выреза в заднем бампере не препятствуют данным операциям – см. рис. 32. Если препятствуют, то необходимо скорректировать отверстие.

- Проведите функциональную проверку тягово-сцепного устройства с помощью прицепа или тестера.
- Убедитесь, что парковочная камера и датчики парковки (если они установлены на автомобиле) работают безупречно.

VONÓHOROG – BEHAJTHATÓ

A járműtartozékokat szakszerű módon kell felszerelni. A Škoda Auto azt ajánlja, hogy a felszerelést szerződéses partnerrel végeztesse el.

A vonóhorog készletek Superb (NZ) és Superb (NZ) PHEV autókhoz készültek vonóhorog előkészítéssel, az autókhoz történő hozzárendelést lásd a vonatkozó terméklapokban.

A vonóhorog felszerelése előtt mindig ellenőrizze és ismerje meg az adott termékhez tartozó, aktuális terméklapon található információkat!

A terméklapon az alábbi információkat találja meg:

- korlátozás konkrét járművekre és felszereltségi szintekre, adott időszakon belül,
- adott termék felszereléséhez szükséges kiegészítő alkatrészek rendelési jegyzéke,
- járműről leszerelendő bizonyos alkatrészek jegyzéke, a konkrét járműtípusoknál és elszerezési szinteknél.



Figyelmeztetés! Ezen információk figyelmen kívül hagyása:

- kritikus járműsérülést okozhat,
- lehetetlenné teszi a termék aktiválását,
- lehetetlenné teszi az átalakítás hivatalos jóváhagyását,
- érvényteleníti a jótállást.

A terméklap ellenőrzésének elhanyagolásáért és az azon található utasítások be nem tartásáért az adott terméket beépítő cég vagy személy felel.



Figyelmeztetés. Mindig ellenőrizze az aktuális korlátozásokat a B2B, az ETKA és a PLIM portálokon, az adott vonóhorognak megfelelő terméklapon.

Megjegyzés

A vonóhorog utólagos felszerelése, az autó hűtőrendszerére nagyobb terhelést jelent. Emiatt a hűtőrendszer bizonyos alkatrészeit ki kell cserélni, a további információkért forduljon a Škoda Auto szakszervíz műszaki szakemberéhez.



Figyelmeztetés. A használati útmutató ábrái általános információként szolgálnak a szereléshez.

Az autó felszereltségétől függően bizonyos szerelési hely részletek eltérőek lehetnek! Az útmutató bemutatja a lehajtható vonóhorog Superb Limo (NZ3) gépkocsira történő szerelését. A Superb Combi (NZ5) gépkocsira történő szerelés során hasonló módon járjon el.

A kizárólag a Superb Limo (NZ3) vagy kizárólag a Superb Combi (NZ5) összeszereléséhez szükséges speciális összeszerelési lépéseket a kézikönyv illusztrációi mutatják és szöveggel jelölik.

Az így meg nem jelölt képek mindkét autótípusra érvényesek (a Limo-ra és Combi-ra is).

Általános adatok

A Superb (NZ) gépkocsi számára készült vonóhorog gyártása a jóváhagyott dokumentáció szerint történik, és megfelel a homologizációnak.

A vonóhorog szerkezeti felépítése az összes cseh és nemzetközi előírásnak megfelel. A berendezés szilárdsági vizsgálatokon esett át. A vonóhorog végén 50 mm átmérőjű gömb található.

HU

A behajtható vonóhorogkészlet tartalma - 1. ábra

Az alkatrész neve	Darabszám	Pozíció
Vonóhorog villamos bekötési eszközökkel	1	A
Csavarok	4	B
Vezérlőegység	1	C
Műanyag anya	2	D
Kapcsoló	1	E
Kapcsolófedél	1	F
Műanyag merevítő	1	G
Szerelési útmutató	1	

Figyelmeztetés!

Ha Superb Limo (NZ3) modellre szerel vonóhorgot, kérjük, rendelje meg az aktuális ŠKODA Eredeti Tartozékok ajánlat szerint!

Kábelköteg a vonóhorog kioldásához **rendelési szám 5E3 055 204A**

A készlet tartalma:

- Elektromos köteg	1	J
- Kábelkötegelő	30	K
- Habszivacs ragasztószalag	5	L

Rendelje meg a ragasztót (H) külön az ETKA pótalkatrész-katalógusból (Teroson 2444). **rendelési szám D428000 M2**

Ha Superb Combi (NZ5) modellre szerel vonóhorgot, kérjük, rendelje meg az aktuális ŠKODA Eredeti Tartozékok ajánlat szerint!

Kábelköteg a vonóhorog kioldásához **rendelési szám 5E3 055 204A**

A készlet tartalma:

- Elektromos köteg	1	J
- Kábelkötegelő	30	K
- Habszivacs ragasztószalag	5	L

A hátsó lökhárító megerősítést rendelje meg külön az ETKA pótalkatrész-katalógusból **rendelési szám 3J0 807 863A**

HU

Speciális szerszámok listája

Univerzális tisztítószer (javasoljuk Terostat 8550 használatát)
Nyomatékkulcs
Csiszolópapír (szemcseméret 80)

A szerelés menete

A szerelés ideje alatt az akkumulátor legyen lecsatlakoztatva!
Az egyes alkatrészek le- és visszaszerelését a Škoda Műhelykönyv utasításai szerint hajtsa végre.

2. ábra

- A behajtható vonóhorog és az elektromos szerelés autóban való elhelyezésének sémája.

Szerelje le az alábbi alkatrészeket:

- a hátsó lökhárítót (a sárfogókat, ha vannak a kocsin)
- a kereszttartót
- a csomagtér bal és jobb oldalburkolatát
- akkumulátort + akkumulátortartót a bal hátsó csomagtérben (ha megtalálható az autó felszereltségében)
- lazítsa meg a mennyezeti panel hátsó részét, vagy szerelje le az egész panelt



Figyelmeztetés. Amennyiben a vonóhorog felszereléséhez szükséges furatokhoz a hossztartó hátsó részén nem fér hozzá, mert más alkatrészek zavarják a hozzáférést, akkor ezeket (pl. SCR tartály, AKF, hátsó kipufogócső-rész, a kipufogócső hővédelme) a műhelykönyv szerint szerelje le.



Figyelem! A kereszttartó leszerelése esetén, a kereszttartó és a karosszéria érintkezési pontjait korróziógátló készítménnyel kell kezelni. A karosszéria korróziógátló készítménnyel való kezelése után a kiszertelt csavarokat csavarozza vissza a kereszttartóba a 3. ábra szerint, és húzza meg őket Mu 20 Nm nyomatékkal. Végezze el azok tömítését a szervizelési lehetőségek és a szokások szerint.

4. ábra

- Tépje le a vakdugókat a hátsó hosszgerendák vonóhorog rögzítő nyílásairól (az autó mindkét oldalán). Ezután - úgy, mint a karosszérián a kereszttartó eltávolítása után felszabadult helyeket - korrózióvédővel kezelje le a nyílások környékét.
- Szükség esetén távolítsa el a hosszgerendák belsejében található pasztizol egyes részeit.

5. ábra

- Ehhez a művelethez két dolgozóra van szükség.
- Hossztartóival tolja be a vonóhorog tartót (A) az autó hátsó homloklemén lévő nyílásokba, és állítsa be úgy, hogy a csavartengelyek megközelítőleg a hosszgerendák rögzítő furatainak közepén haladjanak át.
- A kereszttartót négy rögzítőcsavarral (B) rögzítse a hossztartóban, a csavarokat még ne húzza meg. A kereszttartót húzza hátrafelé.
- **Ellenőrizze le a kereszttartó megfelelő helyzetét, majd a csavarokat 55 Nm + 180° - nyomatékkal húzza meg a következő sorrendben (csavarpozíció a menetirány szerint):**
 1. jobb oldali hátsó
 2. jobb oldali első
 3. bal oldali hátsó
 4. bal oldali első



Figyelem! A vonóhorog esetleges további le- és felszerelésénél, a rögzítőcsavarokat újakra kell cserélni.

6., 7. ábra

- A vonóhorog kábelkötegének a bal oldalon (menetirányban) történő áthúzásához, távolítsa el a kocsipadlójában lévő vakdugót.
- Húzza be a vonóhorog sorkapcsokkal ellátott kábelkötegét a nyíláson keresztül az autó csomagtartójába.
- Ültesse be az átvezetőt (a vonóhorog elektromos szerelési anyagában található) a kocsipadlónyílásába, úgy, hogy az autóba víz ne folyhasson be, és ellenőrizze, annak megfelelő behelyezését!

8., 9. ábra

- **A vezérlőegység csatlakoztatása és rögzítése (C).**
- Helyezze a vezérlőegységet a hátsó kerékfedélen lévő tukrokra a képen látható módon, és csavarozza fel a műanyag anyákkal (D). Húzza meg az anyát 1,5 Nm nyomatékkal.
- Csatlakoztassa a vonóhorog kábelköteg (A) sorkapcsát a vezérlőegységhez (C).

10. ábra

- A vonóhorog elektromos telepítéséhez szükséges kábelkötegenek az autó csomagterébe történő rögzítésének leírása.



Figyelmeztetés. Ellenőrizze szemrevételezéssel, hogy a vonóhorog kábelkötegenek (A) tömítése helyesen van-e igazítva, hogy megakadályozza a járműbe bejutó vízszivárgást -nyíl-.

- Vezesse el a vonóhorog kábelköteget az ábrán látható módon a csomagtér padlólemeze mentén a hátsó kerékfedélhez és a vezérlőegységhez.
- Rögzítse a kábelköteget a karosszériához a kapcsok -nyilak- segítségével (az elektromos kábelkötegekben található).

Földelés

- A barna testkábel kábelszemét vezesse a kerékfedélen található földelőcsavarhoz, és csatlakoztassa rá a földelőcsavarra -nyíl-. Húzza meg az anyát 8 Nm nyomatékkal.

Ellenőrizze le a vonóhorog elektromos bekötésének a megfelelő rögzítését. Úgy kell rögzíteni, hogy menet közben ne sérüljön meg, ne lazuljon le és ne okozzon zavaró zajokat.

11. ábra

- Csatlakoztassa az elektromos kábelköteg (J) sorkapcsát, amely összeköti a vezérlőegységet a kapcsolóval (E), és a Škoda sorkapcsot a vezérlőegységhez (C).

Vezetékköteg a vezérlőegységtől a kapcsolóig a Superb Limo (NZ3) járművek számára

HU

12. ábra

- Vezesse az elektromos kábelköteget (J) az ábrának megfelelően a meglévő jármű kábelkötege mentén a hátsó kerékfedél felett a C-oszlop mentén a mennyezetig.
- A kábelköteget rögzítse a jármű kábelkötegehez kábelkötegelő (K) -nyilak- segítségével.

13. ábra

- Vezesse az elektromos kábelköteget (J) a tető hátsó részén a bal oldalról a jobb oldalra a jobb oldali C-oszlophoz a meglévő jármű kábelkötege mentén.
- Rögzítse a jármű meglévő kábelkötegehez kábelkötegelő (K) -nyilak- segítségével. Azokon a helyeken, ahol nincs lehetőség a kábelkötegelőkkel történő rögzítésre, használjon 3x habszivacs ragasztószalagot (L), lásd a képet. a rögzítés rögzítőszalagokkal a tető teljes szélességében lehetséges, ugyanígy járjon el, lásd a 16. ábrát.

14. ábra

- Vezesse az elektromos kábelköteget (J) a jobb oldali C-oszloptól a gépkocsi hátsó része felé, lásd az ábrát.
- Rögzítse a jármű meglévő kábelkötegéhez kábelkötegelő (K) -nyilak- segítségével. Tekerje be a kábelköteg fennmaradó részét kopásálló szalaggal egészen a sorkapocsig.
- Azon a ponton, ahol a köteg a peremen keresztül belép az ovális lyukba, ragassza le a köteget habzivacs ragasztószalaggal (L) - részlet -, és helyezzen egy másik habzivacs ragasztószalagot a köteg fölé. Helyezze a köteg fennmaradó részét a fémlapra lévő lyukba az ábrán látható módon.

Ellenőrizze le az elektromos kábelköteg megfelelő rögzítését. Úgy kell rögzíteni, hogy menet közben ne sérüljön meg, ne lazuljon le és ne okozzon zavaró zajokat.

Vezetékköteg a vezérlőegységtől a kapcsolóig a Superb Combi (NZ5) járművek számára

15. ábra

- Vezesse az elektromos kábelköteget (J) az ábrának megfelelően a meglévő jármű kábelkötege mentén a hátsó kerékfedél felett a D-oszlop mentén a mennyezetig.
- Ügyeljen arra, hogy a kábelköteg a műanyag merevítés mögött fut, lásd az ábrát.
- A kábelköteget rögzítse a jármű meglévő kábelkötegéhez kábelkötegelő (K) -nyilak- segítségével.

16. ábra

- Vezesse az elektromos kábelköteget (J) a tető hátsó részén a bal oldalról a jobb oldalra a jobb oldali D-oszlophoz a meglévő jármű kábelköteg mentén.
- A kábelköteget rögzítse a jármű meglévő kábelkötegéhez kábelkötegelő (K) -nyilak- segítségével.
- Rögzítse a kábelköteget habzivacs ragasztószalaggal (L) a tető közepén, lásd az ábrát.
- Ha a kábelköteget nem lehet kábelkötegelővel a meglévő kábelköteghez rögzíteni, használjon habzivacs ragasztószalagot, és kövesse ugyanazt az eljárást, lásd a 13. ábrát.

17. ábra

- Vezesse az elektromos kábelköteget (J) a jobb oldali D-oszloptól a gépkocsi hátsó része felé, lásd az ábrát.
- Ügyeljen arra, hogy a kábelköteg a műanyag merevítés mögött fut, lásd az ábrát.
- Rögzítse a jármű meglévő kábelkötegéhez kábelkötegelő (K) -nyilak- segítségével.
- Tekerje be a kábelköteg fennmaradó részét kopásálló szalaggal egészen a sorkapocsig.

Ellenőrizze le az elektromos kábelköteg megfelelő rögzítését. Úgy kell rögzíteni, hogy menet közben ne sérüljön meg, ne lazuljon le és ne okozzon zavaró zajokat.

HU

A kapcsoló felszerelése a Superb Limo (NZ3) jobb oldali csomagtér-borításába

18., 19. ábra

- Helyezze el a merevítést (G) a csomagtér oldalsó burkolat hátsó oldalára, a besajtolással meghatározott területen.
- Egy megfelelő filctollal rajzolja körbe a merevítő külső és belső alakját a csomagtér oldalsó burkolatán.
- A szerviz gyakorlatának megfelelően megfelelő szerszámmal vágja ki a belső nyílást a csomagtér belső kárpitjának nem látható részéből.



Figyelmeztetés. A nyílás vágásakor a lehető legnagyobb körültekintéssel járjon el. Ügyeljen a pontosságra, a vágás nem nyúlhat túl.

- Szemrevételezéssel ellenőrizze a kivágott nyílás minőségét.
- A pontatlanságokat - szükség esetén gondosan vágva - szüntesse meg, a sorját pedig megfelelő eszközzel távolítsa el.



Figyelmeztetés. A nyílás az oldalsó burkolatra rajzolt körvonalnál nem lehet nagyobb.

20., 21. ábra

- Csiszolópapírral (80-as szemcseméret) érdesítse a merevítő (G) hátoldalának felületét.
- Ezután tisztítószerezrel (pl. Terostat 8550) tisztítsa meg és zsírtalanítsa az érdesített felületet. Hagyja körülbelül 10 percig kiszáradni.



Figyelmeztetés. A merevítő ragasztott felületéről teljes mértékben el kell távolítani a zsírt és az egyéb szennyeződések!

- Hordjon fel ragasztót (H) a merevítő megtisztított felületére és a csomagtér oldalsó burkolatán megjelölt felületre. Hagyja körülbelül 10 percig kiszáradni.

HU

22. ábra

- Ragassza a merevítőt a csomagtér oldalfalán a kijelölt helyre, és óvatosan nyomja rá a teljes felületre.



Figyelmeztetés. Megfelelő szorítókkal rögzítse úgy a merevítőt, hogy az teljes felületén nyomódjon rá a csomagtér burkolatára, és hagyja rögzítve legalább 1 órán át.

23. ábra

- Pattintsa be a kapcsolót (E) az ábra szerint a fedélbe (F), hogy a kapcsolótest mind a 4 retesze beüljön a fedél megfelelő nyílásába - nyílak-.



Figyelmeztetés. A fedél mindkét oldalán hallhatóan be kell pattannia a megfelelő nyílásba.

24. ábra

- Pattintsa be a fedelet a beépített kapcsolóval a csomagtér oldalsó burkolatán lévő nyílásba úgy, hogy a burkolat összes füle az oldalsó burkolaton lévő merevítés mögött rögzüljön (részlet). Szükség esetén, egy alkalmas szerszámmal óvatosan emelje meg őket, amíg megfelelően be nem állnak.

25. ábra

- Csatlakoztassa a jármű meglévő elektromos kábelkötegének megfelelő csatlakozóját (J) a csomagtér oldalsó kárpit panelén - részlet - lévő kapcsoló sorkapcsához.



Figyelem! Ügyeljen arra, hogy a kábelköteget a gombhoz az alváz élein kívül vezesse.

Ha szükséges, az ilyen élek közelében lévő köteget csavarja be kopásálló szalaggal.

- Az elektromos bekötés után szerelje vissza az összes leszerelt alkatrészt, és a csavarkötéseket az előírt nyomatékokkal húzza meg. Kösse be az akkumulátort, és hajtsa végre az akkumulátor leválasztásával és ismételt bekötésével kapcsolatos összes műveletet.



Figyelmeztetés: A csomagtér jobb oldali burkolata visszaszereléskor ellenőrizze, hogy a kábelköteg nem szorul-e be az oldalsó burkolat és a karosszéria közé. Ha igen, módosítsa a köteg helyzetét.

A kapcsoló felszerelése a Superb Combi (NZ5) jobb oldali csomagtér-borításába

26., 27. ábra

- Távolítsa el a csomagtér oldalsó burkolatában lévő kapcsolónyílás fedelét.
- Pattintsa be a kapcsolót (E) a csomagtér oldalsó paneljén lévő nyílásba úgy, hogy a fedél összes reteszelője bepattanjon.

A fedél mindkét oldalán hallhatóan be kell pattannia a megfelelő nyílásba.

28. ábra

- Csatlakoztassa a jármű meglévő elektromos kábelkötegének megfelelő csatlakozóját (J) a csomagtér oldalsó kárpit panelén - részlet - lévő kapcsoló sorkapcsához.



Figyelem! Ügyeljen arra, hogy a kábelköteget a gombhoz az alváz élein kívül vezesse. Ha szükséges, az ilyen élek közelében lévő köteget csavarja be kopásálló szalaggal.

29. ábra

Cserélje ki a meglévő hátsó lökhárító-rögzítő lécet egy újra, **rendelési szám 3J0 807 863A**:

- Szerelje le az elektromos telepítés sorkapcsát a lécről.
- Szerelje le a meglévő lécet.
- Annak helyébe szerelje fel az új lécet, és rögzítse 5 anyával.
- Igazítsa a lécet a hátsó laphoz, és húzza meg az anyákat Mu 2,5 Nm nyomatékkal.
- Az anyák meghúzása után hajtsa le a lécek központosító nyelveit.
- A lécre rögzítse fel ismét a leszerelt elektromos telepítés sorkapcsát.

Az elektromos bekötés után szerelje vissza az összes leszerelt alkatrészt, és a csavarkötéseket az előírt nyomatékokkal húzza meg. Kösse be az akkumulátort, és hajtsa végre az akkumulátor leválasztásával és ismételt bekötésével kapcsolatos összes műveletet.



Figyelmeztetés: A csomagtér jobb oldali burkolata visszaszereléskor ellenőrizze, hogy a kábelköteg nem szorul-e be az oldalsó burkolat és a karosszéria közé. Ha igen, módosítsa a köteg helyzetét.

A vonóhorog aktiválása

30. ábra



Figyelem! Az aktiválás megkezdése előtt a két szabad köteget össze kell kötni sorkapcsokkal, amelyek az autó elülső részén, az utastér alatt találhatóak -részlet-.

Ezek összekötése nélkül az aktiválás nem lehetséges.

A képen látható a kábelköteg összekötése a balkormányos modellnél -nyíl-.

A kábelköteg összekötéséhez a jobbkormányos modellnél -nyíl- hasonlóképpen járjon el.

31a., b. ábra



Figyelmeztetés. Ha a Škoda eredeti tartozékok kínálatból két vagy több, vezérlőegységgel ellátott terméket szerelt be, akkor a bekötést és az aktiválást egymás után hajtsa végre.

Ha egyszerre hajtja végre a tartozékok aktiválását, akkor előfordulhat, hogy az aktiválás nem történik meg korrekt módon (az aktiválási folyamatban részt nemvevő vezérlőegység nem lehet csatlakoztatva).

- Indítson el egy új diagnosztikai munkamenetet az ODIS programmal.
- Válassza a „Különleges funkciók” lapot
- Válassza a „Szoftver illesztés”
- Válassza a „SVM az intézkedési kódon keresztül”.
- Adja meg az intézkedési kódot.
- A intézkedési kódon az ETKA katalógusban az adott vonószerkezet cikkszámát találja.
- Végezze el a diagnosztikát a szokásos módon.



Figyelem! A művelet kódjának megerősítése előtt ellenőrizze annak helyességét. A deaktiválás nem lehetséges!

HU

Utolsó vizsgálat



Figyelmeztetés. Ellenőrizze, hogy a hátsó lökhárítón lévő kivágott lyuk - lásd a 32. ábrát - nem ütközik-e a kar megdöntése és behajtása közben.

- Végezze el a vonószerkezet működési próbáját utánfutó vagy teszter segítségével.
- Ellenőrizze, hogy a parkolókamera és a parkolási szenzorok (ha fel vannak szerelve az autóval) kifogástalanul működnek-e.

CÂRLIG DE REMORCARE PLIABIL

Produsele accesorii sunt destinate montajului profesionist. Škoda Auto recomandă efectuarea montajului la partenerii contractuali.

Kiturile de remorcare sunt destinate modelelor Superb (NZ) și Superb (NZ) PHEV cu pregătire pentru bara de remorcare, în ceea ce privește încadrarea autovehiculelor, consultați fișele de produs relevante.

Înainte de montajul propriu-zis al cârligului de remorcare, verificați și familiarizați-vă cu informațiile menționate în fișa de produs actuală aferentă produsului!

În fișa produsului se găsesc informații referitoare la:

- restricțiile pentru anumite autovehicule și echipamente în anumite perioade de timp
- necesitatea de a comanda piese suplimentare în vederea montării produsului pe autovehicul
- demontarea obligatorie a unor părți ale autovehiculului pentru montarea concretă a cârligului.



Avertisment. Nerespectarea acestor informații poate duce la:

- deteriorarea gravă a autovehiculului
- imposibilitatea punerii în funcțiune a produsului
- imposibilitatea omologării oficiale a întregului ansamblu
- pierderea garanției

Răspunderea pentru consecințele apărute prin neverificarea fișei produsului și nerespectarea instrucțiunilor cuprinse în aceasta revine entității care execută instalarea produsului.



Atenție. Întotdeauna trebuie să verificați restricțiile actuale în fișa de produs aferentă pentru dispozitivul de tractare auto, pe portalul B2B, ETKA sau PLIM.

Mențiuni

Montajul ulterior al cârligului de remorcare prezintă cerințe deosebite pentru sistemul de răcire al autovehiculului.

Din acest motiv este necesară înlocuirea unei părți a sistemului de răcire potrivit informațiilor aflate la tehnicianul de service la service-ul de specialitate Škoda Auto.



Atenție. Imaginile din manual servesc drept informații generale de asamblare.

Anumite detalii din locurile de montaj ale autovehiculului pot fi diferite (în funcție de dotarea autovehiculului)! În manual este vizualizat montajul cârligului de remorcare pliabil pe autovehiculul Superb Limo (NZ3). În cursul montajului pe autovehiculul Superb Combi (NZ5), procedați în mod similar.

Etapele specifice de asamblare aplicabile exclusiv modelelor Superb Limo (NZ3) și Superb Combi (NZ5) sunt afișate și marcate cu text în imaginile din acest manual de instrucțiuni.

Imaginile nemarcate ca atare se aplică ambelor modele de autovehicul (Limo și Combi).

Date generale

Cârligul de remorcare auto pentru autovehiculele Superb (NZ) este fabricat potrivit documentației aprobate și corespunde omologării.

Construcția cârligului de remorcare este conformă cu toate reglementările din Cehia și cele internaționale. Dispozitivul a trecut cu succes toate probele de rezistență. Cârligul de tractare este echipat cu pivot având diametrul de 50 mm.

RO

Setul cârligului de remorcare pliabil cuprinde - Fig. 1

Denumire piesă	Bucăți	Poziție
Dispozitiv de tractare cu instalația electrică	1	A
Șuruburi	4	B
Unitate de control	1	C
Piuliță din plastic	2	D
Întreprupător	1	E
Capac întrerupător	1	F
Armătură din plastic	1	G
Instrucțiuni de asamblare	1	

Atenție

În cazul montării cârligului de remorcare pe modelul Superb Limo (NZ3), comandați conform ofertei curente de accesorii originale ŠKODA!

Cablaj pentru deblocarea cârligului de remorcare **număr de catalog 5E3 055 204A**

Setul include:

- Cablajul electric	1	J
- Cureaua de strângere	30	K
- Cureaua spumă adezivă	5	L

Comandați adezivul (H) separat din catalog
piese de schimb ETKA (Teroson 2444).

număr de catalog D428000 M2

În cazul montării cârligului de remorcare pe modelul Superb Combi (NZ5), comandați conform ofertei curente de accesorii originale ŠKODA!

Cablaj pentru deblocarea cârligului de remorcare **număr de catalog 5E3 055 204A**

Setul include:

- Cablajul electric	1	J
- Cureaua de strângere	30	K
- Cureaua spumă adezivă	5	L

Asigurați întărirea barei de protecție spate.
separat din catalogul de piese de schimb ETKA

număr de catalog 3J0 807 863A

RO

Lista instrumentelor speciale

Agent de curățare universal (recomandăm Terostat 8550)

Cheie dinamometrică

Hârtie șmirghel (granulozitate 80)

Procedura de montaj

În timpul montajului trebuie să aveți bateria deconectată.

Pentru demontarea și montarea la loc a componentelor individuale procedați potrivit instrucțiunilor din Manualul de utilizare Škoda.

Fig. 2

- Diagrama locației cârligului de remorcare pliabil cu instalația electrică în mașină.

Demontați:

- bara de protecție spate (captatoarele de murdărie, dacă se află pe vehicul),
- bara transversală,
- căptușeală laterală dreapta și stânga din portbagaj,
- baterie + suport baterie din partea stângă spate a portbagajului (dacă autovehiculul este echipat cu acesta)
- eliberați partea din spate a panoului de plafon sau îndepărtați-o complet



Atenție. În cazul în care accesul la orificiile pentru prinderea cârligului de tractare pe lonjeroanele dorsale este restricționat de anumite părți ale autovehiculului (rezervor SCR, AKF, partea din spate a eșapamentului, protecția termică a eșapamentului), slăbiți sau demontați aceste părți potrivit manualului de atelier.



Atenție. În urma demontării grinzii, în locurile de contact ale grinzii cu caroseria, adăugați protecția anticorozivă. După tratarea caroseriei cu protecție anticorozivă, înșurubați șuruburile demontate de la traversă înapoi în locurile indicate în Figura 3 și strângeți-le cu o cheie dinamometrică de 20 Nm. Sigilați-le în funcție de posibilitățile și obiceiuri centrului de service.

Fig. 4

- Scoateți dopurile orificiilor pentru prinderea cârligului de remorcare de pe lonjeroanele din spate (ambele părți ale autovehiculului). Suprafața din jurul orificiilor trebuie tratată cu protecție anticorozivă la fel ca și locurile de pe caroserie după demontarea barei transversale.
- Dacă este necesar, înlăturați unele părți ale izolației de plastic din interiorul lonjeroanelor.

Fig. 5

- Pentru această operațiune sunt necesari doi muncitori.
- Introduceți traversa cârligului de remorcare (A) de-a lungul grinzilor longitudinale în orificiile de pe partea dorsală a vehiculului și montați în așa fel, încât axa șuruburilor să treacă aproximativ prin centrele orificiilor de fixare din lonjeroane.
- Prindeți ușor grinzile longitudinale cu ajutorul a patru șuruburi de fixare (B) pe șasiul vehiculului. Trageți cârligul de tractare în direcția spate.
- Verificați poziția cârligului de tractare și strângeți șuruburile cu o cheie dinamometrică de 55 Nm + 180° - detalii - în ordine (poziția șuruburilor în direcția de mers):
 1. dreapta spate,
 2. dreapta față,
 3. stânga spate,
 4. stânga față.



Atenție. În cazul unui eventual demontaj și montaj ulterior al cârligului de tractare, trebuie să înlocuiți șuruburile de fixare cu unele noi.

Fig. 6, 7

- Scoateți capacul din podeaua autovehiculului pentru petrecerea cablajului instalației electrice a cârligului de remorcare pe partea stângă (în direcția de mers).
- Treceți cablajul împreună cu cutia de borne a instalației electrice a cârligului de remorcare prin deschiderea în portbagajul autovehiculului.
- Amplasați manșonul (este parte componentă a instalației electrice a cârligului de remorcare) în orificiul din podeaua autovehiculului în așa fel încât să se evite pătrunderea apei în autovehicul și verificați montarea corectă a acestuia!

Fig. 8, 9

Conectarea și fixarea unității de comandă (C).

- Plasați unitatea de comandă pe șuruburile de pe capacul roții din spate conform imaginii și înșurubați-o folosind piulițele din plastic (D). Strângeți piulițele cu o cheie dinamometrică de 1,5 Nm.
- Conectați blocul terminal al cablajului remorcii (A) la unitatea de comandă (C).

Fig. 10

- Schița atașării cablajului instalației electrice a cârligului de remorcare în portbagajul autovehiculului.



Atenție. Verificați vizual setarea corectă a mânerului cablajului cârligului de remorcare (A), astfel încât să nu existe riscul de pătrundere a apei în autovehicul -săgeată-.

- Direcționați cablajul cârligului de remorcare de-a lungul foliei de podea a portbagajului până la capacul roții din spate la unitatea de comandă, conform imaginii.
- Fixați cablajul pe caroseria autovehiculului folosind clemele -săgeți- (fac parte din cablajul instalației electrice).

Legarea la masă

- Conduceți ochiul de legare la masă al conductorului maro spre șurubul de legare la masă de pe capacul roții și să-l conectați la șurubul de legare la masă -săgeata-. Strângeți piulița cu o cheie dinamometrică de 8 Nm.

Verificați fixarea întregului fascicul al instalației electrice a cârligului de remorcare.

Conductorii trebuie să fie fixați în așa fel încât să nu se ajungă la slăbirea sau deteriorarea lor și să se evite zgomotele deranjante în timpul rulării.

Fig. 11

- Conectați blocul terminal al cablajului (J) care conectează unitatea de comandă la întreruptător (E) și blocul terminal Škoda la unitatea de comandă (C).

Cablajul de la unitatea de control la întrerupător pentru modelul Superb Limo (NZ3)

Fig. 12

- Direcționați cablajul (J) de-a lungul cablajului existent al autovehiculului deasupra capacului roții din spate de-a lungul stâlpului C până la plafon, conform imaginii.
- Fixați cablajul de cablajului autovehiculului folosind curelele de strângere (K) -săgeți-.

Fig. 13

- Direcționați cablajul (J) în spatele plafonului din partea stângă înspre partea dreaptă până la stâlpul C din partea dreaptă, de-a lungul cablajului existent al autovehiculului.
- Fixați cablajul de cablajului existent al autovehiculului folosind benzile de strângere (K) -săgeți-. Folosiți bandă adezivă de spumă (L) 3x în locurile în care nu este posibil să o fixați cu benzi de strângere, conform imaginii. Dacă fixarea cu benzi de strângere este posibilă pe toată lățimea plafonului, procedați în mod similar, a se vedea Fig. 16.

Fig. 14

- Direcționați cablajul (J) de la stâlpul C din dreapta către partea din spate a autovehiculului, conform imaginii.
- Fixați cablajul de cablajul existent al autovehiculului folosind benzile de strângere (K) -săgeți-. Înfașurați partea rămasă a cablajului cu bandă rezistentă la abraziune până la blocul terminal.
- În punctul în care cablajul intră în orificiul oval de peste margine, lipiți cablajul cu bandă adezivă de spumă (L) -detaliu- și puneți o altă bandă de spumă peste cablaj. Introduceți partea rămasă a cablajului în orificiu, conform imaginii.

Verificați fixarea întregului cablaj al instalației electrice. Conductorii trebuie să fie fixați în așa fel încât să nu se ajungă la slăbirea sau deteriorarea lor și să se evite zgomotele deranjante în timpul rulării.

Cablajul de la unitatea de control la întrerupător pentru modelul Superb Combi (NZ5)

Fig. 15

- Direcționați cablajul (J) de-a lungul cablajului existent al autovehiculului deasupra capacului roții din spate de-a lungul stâlpului D până la plafon, conform imaginii.
- Asigurați-vă că cablajul trece prin spatele armăturii din plastic, conform imaginii.
- Fixați cablajul de cablajul existent al autovehiculului folosind benzile de strângere (K) -săgeți-.

Fig. 16

- Direcționați cablajul (J) în spatele plafonului din partea stângă înspre partea dreaptă până la stâlpul D din partea dreaptă, de-a lungul cablajului existent al autovehiculului.
- Fixați cablajul de cablajul existent al autovehiculului folosind benzile de strângere (K) -săgeți-.
- Utilizați bandă adezivă de spumă (L) pentru a fixa cablajul de instalații electrice de centrul plafonului, a se vedea imaginea.
- Dacă nu este posibilă atașarea cablajului instalației electrice pe cablajul existent cu o bandă termocontractabilă, utilizați bandă adezivă din spumă și procedați în mod similar, vezi Fig. 13.

Fig. 17

- Direcționați cablajul (J) de la stâlpul D din dreapta către partea din spate a autovehiculului, conform imaginii.
- Asigurați-vă că cablajul trece prin spatele armăturii din plastic, conform imaginii.
- Fixați cablajul de cablajul existent al autovehiculului folosind benzile de strângere (K) -săgeți-.
- Înfașurați partea rămasă a cablajului cu bandă rezistentă la abraziune până la blocul terminal.

Verificați fixarea întregului cablaj al instalației electrice. Conductorii trebuie să fie fixați în așa fel încât să nu se ajungă la slăbirea sau deteriorarea lor și să se evite zgomotele deranjante în timpul rulării.

RO

Montarea întrerupătorului în căptușeala laterală dreaptă a portbagajului pentru Superb Limo (NZ3)

Fig. 18, 19

- Poziționați armătura (G) pe partea din spate a panoului lateral al portbagajului în zona delimitată de protuberanță.
- Cu o cariocă adecvată, desenați conturul formei externe și interne a armăturii pe căptușeala laterală a portbagajului.
- În funcție de uzanțele service-ului, folosiți o unealtă adecvată pentru a tăia o deschidere interioară din partea căptușelii portbagajului care nu este vizibilă.



Atenție. În cursul decupării orificiului trebuie să fiți deosebit de atenți. Aveți grijă de precizie, nu are voie să depășiți tăietura.

- Controlați vizual calitatea orificiului executat.
- Dacă necesar, tăiați cu atenție până la capăt inexactitățile cu un cuțit iar bavurile curățați-le cu o unealtă adecvată.



Atenție. Orificiul nu are voie să fie mai mare decât conturul desenat pe căptușeala laterală.

Fig. 20, 21

- Asigurați rugozitatea părții din spate a armăturii (G) cu ajutorul hârtiei șmirghel (granulozitate 80).
- Apoi curățați partea rugoasă și degresați-o cu agent de curățare (de exemplu, Terostat 8550). Lăsați 10 minute să se zvânte.



Atenție. Suprafața lipită trebuie să fie eliberată complet de grăsimi și toate celelalte impurități!

- Pe suprafața curățată a armăturii și pe zona marcată de pe panoul lateral al portbagajului aplicați adeziv (H). Lăsați-le la aer timp de aproximativ 10 minute.

Fig. 22

- Lipiți ranforsarea pe locul destinat pe căptușeala laterală a portbagajului și presați cu atenție pe toată suprafața.



Atenție. Asigurați armătura cu cleme adecvate în așa fel încât armătura să fie presată pe toată suprafața sa pe căptușeala portbagajului și lăsați-o fixată cel puțin 1 oră.

Fig. 23

- Fixați comutatorul (E) în capac (F) așa cum se arată în imagine, astfel încât toate cele 4 cleme ale corpului întrerupătorului să se potrivească în orificiile corespunzătoare din capac -săgeți-.



Atenție. Toate elementele de presare trebuie să intre audibil cu clănțănitură în orificiile de pe ambele părți ale căpăcelului.

Fig. 24

- Fixați capacul cu întreruptătorul în poziție în orificiul din panoul lateral al portbagajului în așa fel încât toate elementele de presare ale capacului să fie blocate în spatele armăturii de pe panoul lateral (detaliu). Dacă necesar, cu ajutorul unei scule adecvate, ridicați-le cu atenție până ce nu sunt montate corect.

Fig. 25

- Conectați borna corespunzătoare a cablajului electric (J) la blocul de borne din panoul ornamental lateral al portbagajului - detaliu.



Atenție. Aveți grijă ca fasciculul să fie tras la buton în afara muchiei caroseriei. Eventual, în apropierea acestor muchii, înfășurați suficient de bine cu o bandă rezistentă la abraziune.

- Montați la loc toate piesele demontate și strângeți îmbinările aferente cu cuplurile de strângere stabilite. Conectați acumulatorul și efectuați toate operațiile legate de deconectarea și reconectarea acumulatorului.



Atenție: La remontarea panoului drept al portbagajului, verificați că cablajul nu este prins între panoul lateral și caroserie. În cazul afirmativ, reglați poziția volumului.

Montarea întrerupătorului în căptușeala laterală dreaptă a portbagajului pentru Superb Combi (NZ5)

Fig. 26, 27

- Scoateți capacul orificiului întrerupătorului din căptușeala laterală a portbagajului.
- Fixați întrerupătorul (E) în orificiul din panoul lateral al portbagajului, astfel încât toate zăvoarele capacului să fie cuplate.

Toate elementele de presare trebuie să intre audibil în orificiile corespunzătoare.

Fig. 28

- Conectați borna corespunzătoare a cablajului electric (J) la blocul de borne din panoul ornamental lateral al portbagajului - detaliu.



Atenție. Aveți grijă ca fasciculul să fie tras la buton în afara muchiei caroseriei. Eventual, în apropierea acestor muchii, înfășurați suficient de bine cu o bandă rezistentă la abraziune.

Fig. 29

Înlocuiți suportul de montare a barei de protecție spate existente cu noua **piesă nr. 3JO 807 863A**:

- Scoateți blocurile terminale ale cablajului de pe șină.
- Demontați modelul existent.
- Puneți în locul lui o bară nouă și fixați-o cu 5 piulițe.
- Aliniați bara cu capacul din spate și strângeți piulițele, Mu 2,5 Nm.
- După strângerea piulițelor pliați în jos urechile de centrare ale șipcilor.
- Recuplați blocurile terminale demontate ale instalației electrice la bară.

Montați la loc toate piesele demontate și strângeți îmbinările aferente cu cuplurile de strângere stabilite. Conectați acumulatorul și efectuați toate operațiile legate de deconectarea și reconectarea acumulatorului.



Atenție: La remontarea panoului drept al portbagajului, verificați că cablajul nu este prins între panoul lateral și caroserie. În cazul afirmativ, reglați poziția volumului.

Activarea cârligului de remorcare

Fig. 30



Atenție. Înainte de a începe activarea, cele două cablaje libere trebuie conectate cu blocurile terminale, care se află în partea din față a autovehiculului sub torpedou-detalu-.

Activarea nu este posibilă fără conectarea acestora.

Imaginea prezintă conectarea cablajului pentru modelele cu volanul pe partea stângă -săgeata-. La conectarea cablajului pentru modelele cu volanul pe dreapta -săgeata- procedați în mod similar.

Fig. 31a, b



Înștiințare. Dacă instalați două sau mai multe produse din portofoliul de accesorii originale Škoda echipate cu o unitate de control, conectați-le și activați-le treptat. Dacă activați unitățile deodată, este posibil ca activarea să nu funcționeze corect (o unitate de control care nu este în proces de activare poate să nu fie conectată).

- Începeți o nouă sesiune de diagnosticare utilizând programul ODIS.
- Selectați fila „Funcții speciale”.
- Alegeți „Adaptare software”
- Selectați „SVM prin codul de măsură”
- Introduceți codul de măsură
- Codul de măsură îl găsiți în catalogul ETKA sub numărul de piesă al dispozitivului de remorcare specific.
- Finalizați diagnosticul în mod obișnuit.



Atenție. Înainte de confirmarea codului dispoziției, asigurați-vă că este corect. Dezactivarea nu este posibilă!

RO

Inspecție finală



Atenție. Verificați dacă, în cursul amplasării și rabatării brațului, nu are loc coliziunea cu orificiul decupat în bara de protecție spate. - vezi Fig. 32. În caz afirmativ, modificați orificiul decupat.

- Efectuați un test funcțional al dispozitivului de remorcare folosind o remorcă sau un tester.
- Verificați dacă camera de parcare și senzorii de parcare (dacă sunt echipați cu mașina) funcționează impecabil.



- EN** - The information on the technical data, design, equipment, materials, guarantees and outside appearance refer to the period when the mounting instructions are sent to print. The manufacturer reserves the right to changes (including the change in technical parameters with reference to the individual model measures).
- CZ** - Informace o technických údajích, konstrukci, vybavení, materiálech, zárukách a vnějším vzhledu se vztahují na období zadávání montážního návodu do tisku. Výrobce si vyhrazuje právo změny (včetně změny technických parametrů se změnami jednotlivých modelových opatření).
- DE** - Informationen über technische Angaben, Konstruktion, Ausrüstung, Werkstoffe, Garantien und äußerliches Aussehen beziehen sich auf den Zeitraum, in dem die Montageanleitung in Druck gegeben wurde. Der Hersteller behält sich das Änderungsrecht vor (samt Änderungen der technischen Parameter mit Änderungen einzelner Modellmaßnahmen).
- ES** - Las informaciones sobre los datos técnicos, la construcción, el equipo, los materiales, la garantía y el aspecto son válidas para el período en que la instrucción de montaje es mandada a imprimir. El fabricante se reserva el derecho de cambiar (incluyendo el cambio de los parámetros técnicos con los cambios de las distintas medidas modelo).
- FR** - Les informations sur les données techniques, de construction, d'équipement, de matériaux, de garanties et sur l'aspect concernent la période de mise sous presse des instructions de montage. Le fabricant se réserve le droit de modification (incluant les modifications des paramètres techniques avec des modifications particulières des mesures de modelage).
- IT** - Informazioni dei dati tecnici, costruzione, corredo, materiali, garanzie e l'aspetto esterno riguardano il periodo, quando l'istruzione per il montaggio sono stati dati alle stampe. Il produttore si riserva il diritto di eseguire le modifiche (compreso la modifica dei parametri tecnici riguardanti la modifiche dei modelli).
- SV** - Upplysningarna om tekniska data, konstruktion, utrustning, materialier, garantier, och om yttre utseendet, gäller tidrymden då montageanledningen givits i uppdrag för tryckning. Producenten förbehåller sig rätten till förändringar (inkl. modifikation av tekniska parametrar sammen med ändringar av enskilda modellåtgärder).
- NL** - Informaties over de technische gegevens, constructie, uitrusting, materialen, garanties en het uiterlijk hebben betrekking op de periode wanneer de montageaanzwijzing in druk wordt gegeven. De fabrikant behoudt zich het recht van de wijziging voor (inclusief wijziging van de technische parameters met de wijzigingen van de afzonderlijke modelvoorzieningen).
- PL** - Informacje o danych technicznych, konstrukcji, wyposażeniu, materiałach, gwarancjach i wyglądzie zewnętrznym odnoszą się do okresu zlecenia instrukcji montażowej do druku. Producent zastrzega sobie prawo zmiany (włącznie ze zmianą parametrów technicznych ze zmianami poszczególnych modelowych posunięć).
- SK** - Informácie o technických údajoch, konštrukcii, vybavení, materiáloch, zárukách a vonkajšom vzhľade sa vzťahujú na obdobie zadávania montážneho návodu do tlače. Výrobca si vyhrazuje právo zmeny (vrátane zmeny technických parametrov so zmenami jednotlivých modelových opatrení).
- RU** - Информация о технических данных, конструкции, оснащении, материалах, гарантии и внешнего вида соответствует периоду передачи заказа инструкции по монтажу в печать. Производитель оставляет за собой право внесения изменений (в том числе изменений технических параметров с изменениями отдельных модельных мер).
- HU** - A műszaki adatokra, a konstrukcióra, a felhasznált anyagokra, a garanciára és a termék kivetelére vonatkozó adatok a jelen anyag nyomdába kerülésének idején érvényben lévő állapotot tükrözik. A gyártó fenntartja magának a változtatások jogát (azokat a műszaki változtatásokat is beleértve, amelyek a modellmódosítások miatt következnek be).
- RO** - Informațiile privind datele tehnice, construcția, dotarea, materialele, garanțiile și aspectul exterior se referă la momentul prezentării instrucțiunilor de montaj pentru tipărire. Fabrică își rezervă dreptul de a face schimbări (inclusiv schimbarea parametrilor tehnici cu schimbările măsurilor pentru diferitele modele).



Nr. 3PO 092 160, 3PO 092 160A / 09.2024

Construction Number/ Konstrukční číslo/ Konstruktionsnummer: 3J0 803 881, 3J0 803 881A